

USER INSTRUCTIONS

SAFARI CHEF 2

MODEL No's 6540LO, 6540LI

28-30/37mBar & 50mBar



CE



CADAC

LIVE THE BRAAI LIFE

503-0453 LEV7

CAUTION
For Outdoor use only!

This appliance may not be used in an exterior enclosed balcony, porch or entertainment area!

IMPORTANT

Read these instructions for use carefully so as to familiarize yourself with the appliance before connecting it to its gas container. Keep these instructions for future reference.

1. General information

- This appliance has been designed to be used for outdoor cooking, specifically for people who go camping to enjoy outdoor life and it can also be used at home on your patio.
- Various food types can be prepared on this appliance. The Safari Chef 2 is designed to utilise various cooking surfaces.
- Gas is supplied to the unit via a hose and regulator (Low Pressure model) or connects directly to a disposable cartridge (High Pressure model). The hose and regulator can be connected to gas cylinder, a gas cartridge, or a CADAC Power Pak 1000 which is a unit that takes two gas cartridges. (Not supplied with the appliance).
- The unit is easy to switch on, and to operate (Section 6) and the user can control the heat input with an adjustable valve.
- The unit is supplied with a convenient carry bag.
- This appliance complies with EN498:2012 and SANS 1539:2012
- This appliance may only be used with an approved hose and regulator connected to a refillable cylinder complying with the local regulation in force.
- The refillable cylinder is to be used only in an upright position.
- Warning:** Accessible parts may be very hot. Keep young children away.
- Gas appliances require ventilation for efficient performance and to ensure the safety of users and other persons in close proximity, therefore do not use the appliance in an unventilated area. It is intended for use outdoors only.
- Read these instructions carefully before using the appliance.
- Use outdoors only!**

6540L0, 6540L1				
Country of Use	BE, CH, CY, CZ, ES, FR, GB, GR, IE, IT, LT, LU, LV, PT, SK & SI	PL	BE, CY, DK, EE, FR, FI, HU, IT, LT, NL, NO, SE, SI, SK, RO, HR, TR, BG, IS, LU, MT, & ZA	AT, CH, DE & SK
Appliance Categories	I ₃₄ (28-30/37)		I _{3B/P} (37)	I _{3B/P} (30) I _{3B/P} (50)
Allowable gasses	Butane	Propane	Butane, Propane or their mixture	
Gas Pressure	28-30mBar	37mBar	37mBar	28-30mBar (2.8kPa for South Africa) 50mBar
Jet Number	0.58			0.51
Nominal Usage	110g/hr	119 g/hr	110g/hr	110 g/hr
Gross nom. heat input	1.5kW	1.63 kW	1.5kW	1.5 kW

Country Name and Abbreviations				
AE = United Arab Emirates	AL = Albania	AT = Austria	BE = Belgium	CH = Switzerland
CZ = Czech Republic	DE = Germany	DK = Denmark	ES = Spain	FI = Finland
FR = France	GB = United Kingdom	GR = Greece	HR = Croatia	IT = Italy
JP = Japan	KR = Korea	NL = Netherlands	NO = Norway	PL = Poland
PT = Portugal	RO = Romania	RU = Russia	RS = Serbia	SI = Slovenia
SK = Slovakia	SE = Sweden	TR = Turkey	ZA = South Africa	

2. Safety Information

- Do not move the appliance during use.
- Turn off the gas supply at the gas cylinder after use.
- The hose must be checked for wear or damage before every use and before connecting to the gas container.
- Do not use the appliance if it has a damaged or worn hose. Replace it.
- Do not use an appliance that is leaking, damaged or which does not operate properly.
- Ensure the appliance is used away from flammable materials. Minimum safe distances are: Above the appliance 1.2m. At the rear and sides 600mm. (See Fig. 3)
- Ensure that the gas container is fitted or changed outdoors, away from any sources of ignition, such as naked flames, pilots, electric fires and away from other people.
- Keep gas containers away from heat and flame. Do not place on a stove or any other hot surface.
- Ensure that the assembled product is stable and does not rock.
- In the event of light back (where the flame burns back and ignites at the jet), immediately turn off the gas supply by closing the control valve on the gas container and then the appliance valve. After the flame is extinguished remove the regulator and check the condition of its seal. Replace the seal, if in doubt. Re-light the appliance as described in section 6 below. Should the flame persistently light back, return the product to your authorised CADAC repair agent.

2. Safety Information (continued)

- If there is a leak on your appliance (smell of gas), close the cylinder valve immediately and take it into a flame free location where the leak may be detected and stopped. If you wish to check for leaks on your appliance, do it outside. Do not try to detect leaks using a flame; use soapy water.
- The correct way is to smear the joints e.g. where the stem fits into the cylinder, with soapy water.
- If bubbles form, then there is a gas leak. Immediately turn off the gas supply by closing the control valve on the gas container and then the appliance valve. Check that all the connections are properly fitted. Re-check with soapy water.
- If a gas leak persists, return the product to your CADAC dealer for inspection / repair.
- **Use Outdoors Only.**

3. Assembly Instructions

- **WARNING:** The legs are spring loaded. Opening and closing of the legs must be done in a controlled manner to avoid personal injury or damage to your Safari Chef 2.
- To open the legs, turn the unit upside-down and hold the legs down while lifting each leg individually. You will hear a "click" if the leg(s) has located correctly.
- To fold the legs back, securely hold the leg and push the Leg Release Clip down. Then push the legs in-ward to its closed position (Fig 6). This needs to be done sequentially to optimise space. First the Right front leg (1), Then the Left front leg (2), and lastly the rear Leg (3) (Fig 4b).
- Before connecting the gas supply, firstly check that the appliance valve is in the off position by turning the control knob fully clockwise (See Fig. 2).
- **I 3B/P (30) and I 3+ (28-30/37) Appliance categories:** Fit the Valve Tailpiece onto the Valve (Fig.5) by screwing it on in an anti-clockwise direction. Push an 8mm inside diameter Hose onto the Valve Tailpiece until it is properly seated. On the other end attach a suitable 30mbar low-pressure (I 3B/P (30) and I 3+ (28-30/37) Butane configurations) or 37mBar low-pressure regulator (I 3+ (28-30/37) Propane configuration), again making sure that the hose is well seated. The hose used must comply with **BS 3212 / SABS 1156-2** or equivalent.
- **I 3B/P (50) Appliance category:** Screw a Hose with the correct threaded fittings on each end, onto the left hand 1/4" BSP thread of the Valve. Attach a suitable 50mbar low-pressure regulator on the other end of the hose. The hose used must comply with **DIN 4815 part 2** or equivalent.
- **Note:** The hose and regulator are not supplied with the Safari Chef 2. For details, contact your local stockist.
- The hose length should be no less than 800 mm and shall not exceed 1.5 m. Check the expiry date on the hose and replace when necessary or when national conditions require it. Do not twist or pinch hose.
- Your appliance is now ready for use.

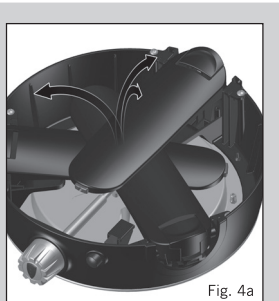


Fig. 4a

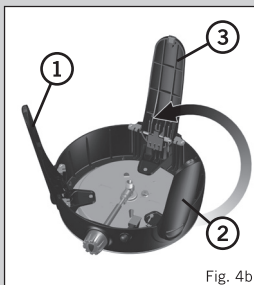


Fig. 4b



Fig. 4c

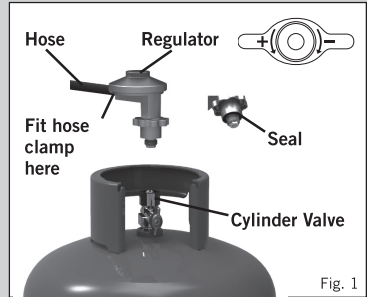


Fig. 1

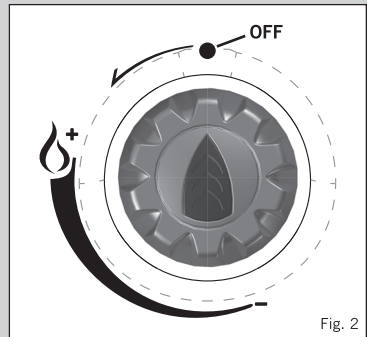


Fig. 2

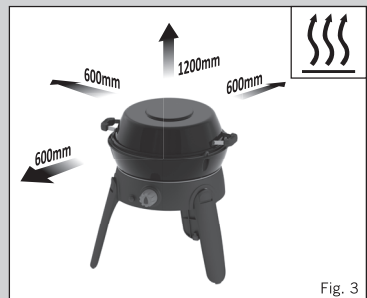


Fig. 3

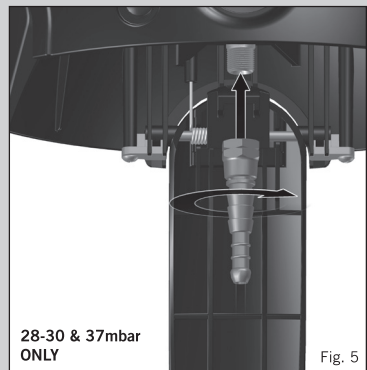


Fig. 5

4. Component List

Safari Chef 2 - Low Pressure

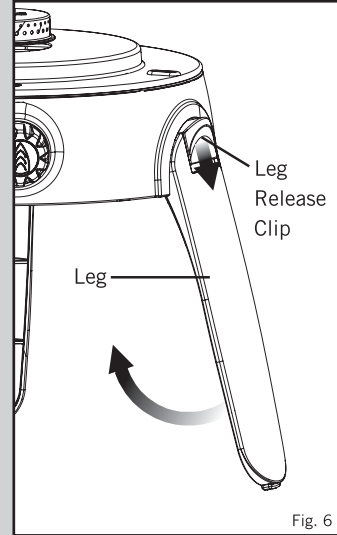
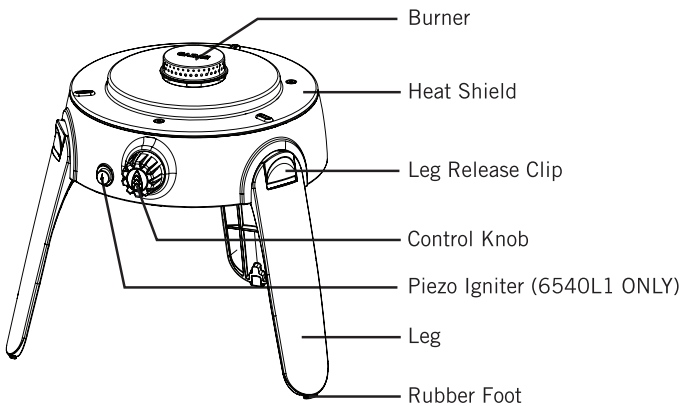
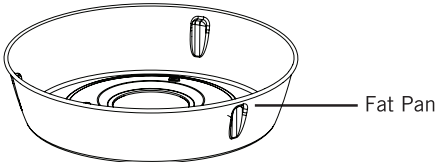
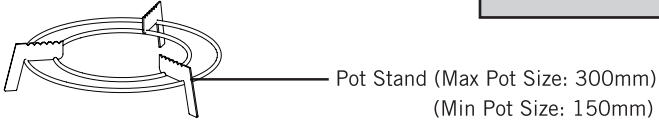
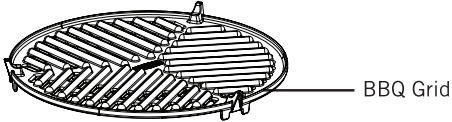
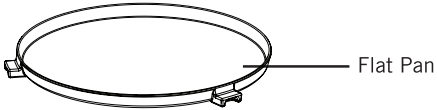
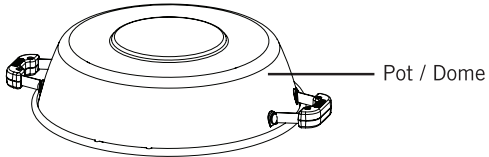


Fig. 7

5. Fitting and Changing the Hose and Gas Cylinder

- Before fitting the regulator to a gas container, ensure that the seal on the regulator is in position and in good condition. This should be done on every connection.
- Ensure that the gas container is fitted or changed outdoors, away from any source of ignition, such as naked flames or electric fires and away from other people.
- Making sure that the gas container is kept upright, screw the regulator onto the gas container until it is fully engaged. Do not over tighten.
- If there is a leak on your appliance (smell of gas), take immediately into a flame-free location where the leak may be detected and stopped. If you wish to check for leaks on your appliance, do it outside using soapy water only, which is applied to the joints. A formation of bubbles will indicate a gas leak.
- Check that all the connections are securely fitted and re-check with soapy water. If you cannot rectify the gas leak, do not use the appliance. Contact your local CADAC stockist for assistance.
- When changing a gas container close the cylinder valve and then the appliance Valve (see Figs. 1 and 2). Making sure the flame is extinguished, unscrew the regulator. Re-fit a full gas container following the same precautions as described above.

6. Using the Appliance

- This appliance must be used outdoors only!
- When in use, protect from wind for optimum performance.
- Do not move the unit whilst hot. The use of protective gloves is recommended.
- **CAUTION:** Accessible parts may become very hot. Keep young children away from the appliance.
- To pack away, let the unit cool. After cleaning, Fold the appliance as described in section 3 above. Place the pot / dome at the bottom of the bag. Next, place the pot stand upside down into the pot. Place the Fat Pan over the Pot and Pot Stand upside down. Then place the appliance upside down over the fat pan. Place the Grid and Flat Pan into their separate holders located in the lid of the bag, and zip them closed. Fold over the lid of the bag, and zip it closed. (Fig 8)
- Keep the appliance in its Carry Bag when not in use, as this will prevent the ingress of dirt or insects which may affect the gas flow.
- When attempting to light the appliance, make sure that the gas supply from the cylinder is open prior to turning on the gas supply to the appliance.

Using the control knob

- The control knob is fitted with two positive stop positions, one at low, and one at Ignite / High. This limits the adjustment of the flame to between these two points.

Lighting up using the Piezo Igniter

- To light up the appliance using the piezo igniter, push in and turn the control knob in an anti-clockwise direction until you hear a click. If the gas does not ignite on the first spark, push in, and turn the control knob fully clockwise. Try again, by pushing in and turning the control knob anti-clockwise until you hear a click. If the gas has not ignited in the first two to three seconds you should close the control valve by pushing in the control knob, and turning it fully clockwise. Wait approximately thirty seconds to let any accumulated gas within the burner pan assembly escape. Repeat the above process if necessary until the flame ignites. The flame should normally light up within the first one or two seconds.

Lighting up using a BBQ lighter

- When starting cold, the appliance may be lit from the top prior to fitting the desired cooking surface onto the fat pan. When lighting up a hot appliance however, it is recommended that this be done by sticking barbecue lighter through one of the Vent Holes underneath the Burner, until it is in line with the burner (DO NOT place the BBQ lighter through the large hole directly underneath the burner). Ignite the BBQ lighter. Whilst the BBQ lighter is lit, push in and turn the control knob anti-clockwise to light the burner.
- Use the control knob to adjust the flame intensity to the desired level by turning the knob clockwise to decrease the flame and anti-clockwise to increase the flame.
- When not in use disconnect the appliance from the gas supply.
- **WARNING:** Do not use any cooking surfaces on a high flame setting for more than 10 minutes as this can damage the non-stick coatings.

7. Cooking Options

- There are four available cooking options with your Safari Chef 2 appliance. These are:
 - Barbecuing:** This cooking option is ideal for fat-free barbecuing of chicken, sausages, chops, kebabs, fish or vegetables. For this type of cooking, place the Fat Pan onto the heat shield. Place the BBQ Grid onto the locators of the Fat Pan.
 - Caution:** Please note that when cooking fatty meats some fat will drip onto the unit which may cause flare-ups. Please use caution when handling such meats. The cooking temperatures are easily adjusted to suit your own requirements by turning the Valve Knob to regulate the degree of heat.

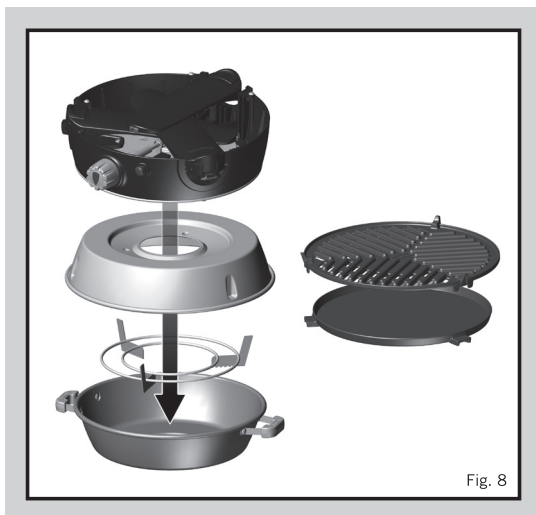


Fig. 8

Frying: This option is ideal for stir-fries, fish, breakfast, pancakes, prawns, paella and vegetables. For this type of cooking, place the Fat Pan onto the heat shield. Place the Flat Pan onto the locators of the Fat Pan. Please note that being a shallow pan, it is not suitable for deep-frying. The easy clean surface encourages the minimum use of fat for healthy cooking.

Oven Dome / Wok: The dome can be used as a wok, a lid to create an oven on the BBQ, or a saucepan. For wok-style cooking, place the dome upside-down directly onto the Pot stand and use to prepare stir-fries, pasta dishes or paella. To use the Dome as an Oven lid place the dome over a meal cooking on the BBQ option for convection style cooking. This is ideal for roasting chicken, lamb, beef or pork. The Dome can also be used as a saucepan, to heat sauces, marinades, boil water, cook rice, pasta etc. Place the dome upside-down directly onto the Pot Stand.

Boiling: For this type of cooking, place the Pot stand in its locator grooves on the heat shield ensuring that it is properly seated. Place a suitable pot (not less than 150mm diameter and not more than 230mm diameter) or the Safari Chef 2 Dome on the Pot Stand. The Fat Pan is designed to be placed onto the dome to act as a lid for the dome to boil food. One liter of water will boil in approximately 6 minutes depending on the conditions, size of pot used, etc.

Note: When using small sized pots do not attempt to use pots with plastic handles.



8. Cleaning

BBQ Unit

- To clean the Fat Pan, Flat Pan, and BBQ Grid, wash in warm water with a non-abrasive detergent after first wiping off any excess fat left after cooking.
- To Clean the Dome, wash in warm water with a non-abrasive detergent.
- Do not use an abrasive cleaner on any part, as this will damage its surface coating.
- These parts are perfectly safe to clean in the dishwasher after removing any excess fat.

Body / Leg Unit

- This is best cleaned by using a soft damp cloth and a mild non-abrasive detergent. Do not place in a dishwasher as this may allow water into the valve or burner ports, which will cause the unit to malfunction.
- When cleaning the body/leg unit the pot stand may need to be removed. This can be done lifting the pot stand out of the locator groove in the heat shield.

9. General Maintenance

- The onus of maintaining this appliance solely rests on the consumer from date of purchase.
- This appliance does not require scheduled maintenance.
- After prolonged storage, inspect the Air Holes under the unit and the inlet of the venturi for insects such as spiders, etc which could affect gas flow. Also inspect the inlet of the Venturi for insects. After checking, refit all components into the prescribed position.

Replacing a Blocked Jet:

- Your Safari Chef 2 is fitted with a specific size jet to regulate the correct amount of gas.
- Should the hole in the Jet become blocked, this may result in a small flame or no flame at all. Do not attempt to clean the Jet with a pin or other such device as this may damage the orifice, which could make the appliance unsafe.
- **To replace the Jet:** Remove the Fat pan (Fig. 9). Gently unscrew the burner assembly (Fig. 10). Remove the three screws from the heat shield plate and remove the Heat Shield (Fig. 11), taking care not to damage the piezo electrode. The Jet can now be removed using a suitable spanner (Fig. 12). Do not use pliers on the jet as this may damage the jet, making it unusable or impossible to remove. Screw the new jet into the valve. Do not over-tighten as this may damage the jet.
- Reverse the above procedure to re-assemble the unit.

Replacing the Hose:

- The fitting of a hose is described in Section 5 - Fitting and replacing the hose and gas cylinder.



Fig. 9

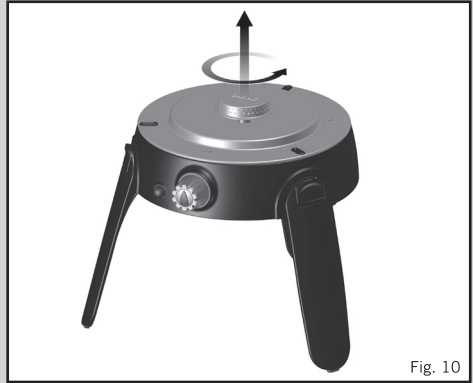


Fig. 10



Fig. 11

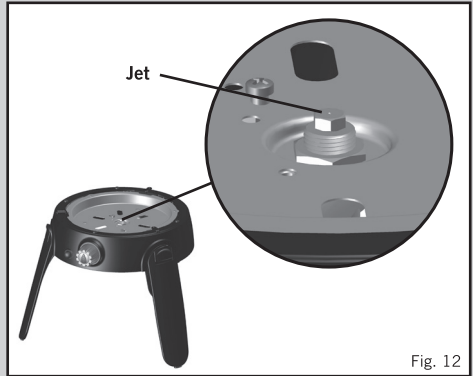


Fig. 12

10. Returning the appliance for repair or service.

- Do not modify the appliance, as this could be dangerous.
- If you cannot rectify a fault by following these instructions, contact your local CADAC distributor for details on how to return the product for attention.
- Your CADAC Safari Chef 2 is guaranteed by CADAC for a period of 2 years against factory fault.

11. Spares and Accessories

- Always use genuine CADAC spares as they have been designed to give optimum performance.

Description	Part No.	Description	Part No.
Jet: 0.58mm (28/37mBar)	6540-SP001	Control Knob	6540-SP007
Jet: 0.51mm (50mBar)	6540-SP013	Piezo Assembly	6540-SP008
BBQ Grid	6540-SP002	Leg (Left / Right)	6540-SP010
Flat Pan	6540-SP004	Leg (Rear)	6540-SP009
Pot Stand	6540-SP003	Carry Bag	6540-SP006
Burner Assembly	6540-SP005	Dome	6540-SP011
Fat Pan	6540-SP017	Silicone Spacer	6540-SP019
LP Valve	6540-SP016	Dome Handle Assembly	6540-SP020



VORSICHT

Nur im Freien benutzen!

Dieses Gerät darf nicht in einem umbauten Balkon, einer eingeschlossenen Veranda oder einem ähnlichen Bereich benutzt werden!

WICHTIG

Lesen Sie diese Gebrauchsanweisung bitte sorgfältig durch, um sich mit dem Gerät vertraut zu machen, bevor sie es mit seinem Gasbehälter verbinden. Bewahren Sie diese Anleitung zum späteren Nachsehen auf.

1. Allgemeine Informationen

- Dieses Gerät wurde für den Gebrauch im Freien entwickelt und zwar speziell für alle die Camping gehen und das Leben im Freien genießen. Sie können es aber auch zu Hause auf Ihrer Terrasse benutzen.
- Auf diesem Gerät können verschiedene Gerichte zubereitet werden. Der Safari Chef 2 wurde entwickelt, um mit verschiedenen Koch-Oberflächen benutzt zu werden.
- Gas wird dem Gerät mit einem Schlauch und Regler (Niedrigdruck-Modell) zugeführt oder es kann direkt mit einer Einweg-Patrone (Hochdruck-Modell) betrieben werden. Der Schlauch und der Regler können mit einer Gasflasche, einer Gas-Patrone oder einem CADAC-Power-Pack 1000 verbunden werden. Letzteres ist ein Teil, dass mit zwei Gas-Patronen betrieben wird. (Wird mit dem Gerät nicht mitgeliefert.)

6540L0, 6540L1					
Benutzungsländer	BE, CH, CY, CZ, ES, FR, GB, GR, IE, IT, LT, LU, LV, PT, SK & SI		PL	BE, CY, DK, EE, FR, FI, HU, IT, LT, NL, NO, SE, SI, SK, RO, HR, TR, BG, IS, LU, MT, & ZA	AT, CH, DE & SK
Geräte-Kategorien	I ₃ (28-30/37)		I _{3B/P} (37)	I _{3B/P} (30)	I _{3B/P} (50)
Zulässige Gase	Butan	Propan	Butan, Propan oder eine Mischung daraus		
Gasdruck	28-30mBar	37mBar	37mBar	28-30mBar (2,8 kPa in Südafrika)	50mBar
Jet Nummer	0.58				0.51
Nennverbrauch	110g/hr	119 g/hr	110g/hr	110 g/hr	
Nominale brutto Wärmeeintrag	1.5kW	1.63 kW	1.5kW	1.5 kW	

- Das Gerät kann leicht eingeschaltet und betrieben werden (Abschnitt 6) und die Wärmezufuhr kann vom Benutzer über ein einstellbares Ventil gesteuert werden.
- Das Gerät wird mit einer praktischen Tragetasche geliefert.
- Dieses Gerät entspricht EN498:2012 und SANS1539:2012
- Dieses Gerät darf nur mit einem zugelassenen Schlauch und Regler, der an einen nachfüllbaren Gasbehälter angeschlossen ist, betrieben werden. Der Gasbehälter muss den geltenden örtlichen Vorschriften entsprechen.
- Dieser nachfüllbare Gasbehälter darf nur in aufrechter Position benutzt werden.
- Warnung: Die zugänglichen Teile können sehr heiß werden. Kinder entfernt halten.
- Leistung müssen alle Gasgeräte gut belüftet sein, auch um die Sicherheit der Benutzer und von anderen Personen in der Nähe zu gewähren - deshalb das Gerät bitte nicht in einem unbelüfteten Bereich benutzen. Es ist nur für den Gebrauch im Freien bestimmt.

Ländernamen und Abkürzungen				
AE = United Arab Emirates	AL = Albania	AT = Austria	BE = Belgium	CH = Switzerland
CZ = Czech Republic	DE = Germany	DK = Denmark	ES = Spain	FI = Finland
FR = France	GB = United Kingdom	GR = Greece	HR = Croatia	IT = Italy
JP = Japan	KR = Korea	NL = Netherlands	NO = Norway	PL = Poland
PT = Portugal	RO = Romania	RU = Russia	RS = Serbia	SI = Slovenia
SK = Slovakia	SE = Sweden	TR = Turkey	ZA = South Africa	

- Lesen Sie diese Anleitung bitte sorgfältig durch, bevor Sie das Gerät benutzen.

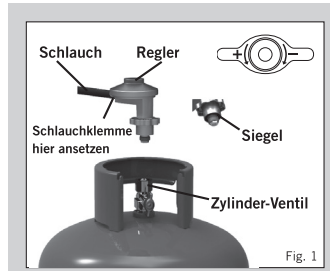
Nur im Freien benutzen!

2. Sicherheitshinweise

- Das Gerät während der Benutzung nicht bewegen.
- Nach der Benutzung das Gas am Gasbehälter abstellen.
- Vor jedem Gebrauch und vor jeder Verbindung mit dem Gasbehälter muss der Schlauch auf Verschleiß und Beschädigung überprüft werden.
- Ist der Schlauch abgenutzt oder beschädigt, darf er mit dem Gerät nicht benutzt werden. Ersetzen Sie den Schlauch.
- Verwenden Sie kein Gerät, das undicht oder beschädigt ist oder das nicht ordnungsgemäß funktioniert.
- Achten Sie darauf, dass das Gerät nicht in der Nähe von brennbaren Materialien aufgestellt wird. Mindestsicherheitsabstände sind: Über dem Gerät: 1,2 m Rückseite und Seiten: 600 mm. (Siehe Abb. 3)
- Achten Sie darauf, dass der Gasbehälter im Freien eingesetzt oder ausgetauscht und von Zündquellen, wie offenen Flammen, Pilotlichtern, elektrischem Feuer und von anderen Personen fern gehalten wird.
- Gasbehälter dürfen nicht in der Nähe von Hitze und Flammen aufgestellt werden. Legen oder stellen Sie ihn nicht auf einen Herd oder eine andere heiße Oberfläche.
- Achten Sie darauf, dass das zusammengebaute Gerät fest steht und nicht wackelt.
- Falls eine Stichflamme auftritt (die Flamme schlägt zurück und zündet sich am Jet an), die Gaszufuhr sofort mit dem Regelventil am Gasbehälter und danach das Geräteventil schließen. Nachdem die Flamme erloschen ist, müssen Sie den Regler abnehmen und den Zustand der Dichtung prüfen. Im Zweifelsfall muss die Dichtung erneuert werden. Stellen Sie das Gerät, wie weiter unten im Abschnitt 6 beschrieben, wieder an. Sollte es wiederholt zu solchen Flammen-Rückschlägen kommen, geben Sie das Produkt bitte Ihrem autorisierten CADAC-Vertragshändler zurück.

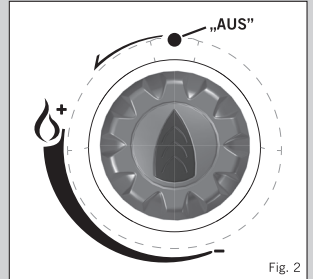
2. Sicherheitshinweise (fortgesetzt)

- Wenn Ihr Gerät ein Leck hat (es riecht nach Gas), schließen Sie das Zylinder-Ventil bitte sofort und tragen es an einen flammenfreien Ort, wo das Leck entdeckt und gestoppt werden kann. Wenn Sie Ihr Gerät auf Lecks überprüfen möchten, dann tun Sie das bitte im Freien. Versuchen Sie nicht, Lecks mittels einer Flamme zu entdecken; benutzen Sie dazu Seifenwasser.
- Am besten ist es, die Gelenke, d. h. dort wo sich der Anschluss an der Gasflasche befindet, mit Seifenwasser anzufeuchten.
- Wenn sich Blasen bilden, gibt es ein Gasleck. Schalten Sie sofort die Gaszufuhr ab, indem Sie das Regelventil an dem Gasbehälter und danach das Geräteventil abschalten. Prüfen Sie, ob alle Verbindungen ordnungsgemäß passen. Überprüfen Sie erneut mit Seifenwasser.
- Sollten die Gaslecks weiter bestehen, geben Sie bitte das Produkt Ihrem CADAC-Fachhändler zur Inspektion oder Reparatur zurück.
- Nur im Freien benutzen.

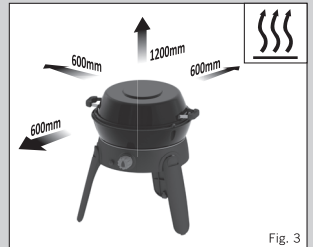
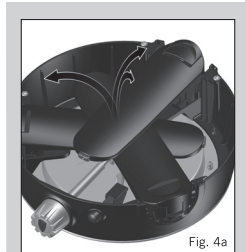


3. Montage-Anweisung

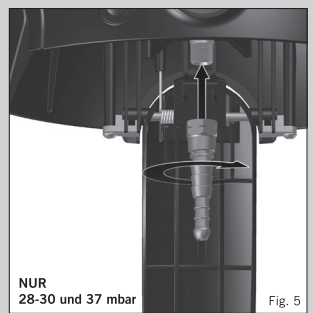
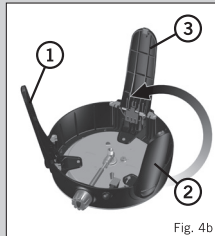
- **WARNUNG:** Die Standbeine stehen unter Federspannung. Das Öffnen und Schließen der Standbeine muss auf eine kontrollierte Art und Weise vorgenommen werden, um Personenverletzungen oder Schäden an Ihrem Safari Chef 2 zu vermeiden.
- Zum Öffnen der Standbeine das Gerät kopfüber drehen und die Standbeine festhalten und dann jedes Standbein einzeln anheben. Wenn ein Standbein richtig eingesetzt ist, werden Sie ein „Klick“ hören.
- Zum Zusammenlegen die Standbeine festhalten und den Standbein-Verriegelungsclip nach unten schieben. Drücken Sie dann die Standbeine nach innen in die geschlossene Position (Abb. 6). Dies muss nacheinander durchgeführt werden, um den Speicherplatz zu optimieren. Zuerst das rechte Vorderbein (1), dann das linke Vorderbein (2) und zuletzt das hintere Standbein (3) (Abb. 4b) einlegen.
- Vor dem Anschließen der Gaszufuhr prüfen Sie bitte zuerst, ob sich das Geräteventil in der Aus-Stellung befindet - drehen Sie den Kontrollregler vollständig im Uhrzeigersinn. (Siehe Abb. 2).



- I 3B/P (30) und I 3+ (28-30/37) Geräte kategorien: Das Ventil-Endstück auf das Ventil (Abb. 5) durch Drehung entgegen dem Uhrzeigersinn aufsetzen. Drücken Sie einen Schlauch mit 8 mm Innendurchmesser auf das Ventil-Endstück, bis es ordnungsgemäß festsetzt. Am anderen Ende bringen Sie einen passenden 30 mbar Niederdruck- (I 3B/P (30) und I 3+ (28-30/37) Butan-Konfiguration) oder einen 37 mbar Niederdruck- (I 3+ (28-30/37) Propan-Konfiguration) Regler an und achten dabei darauf, dass der Schlauch fest verbunden ist. Der Schlauch muss den Vorschriften von BS 3212 / SABS 1156-2 oder gleichwertigen Vorlagen entsprechen.



- I 3B/P (50) Geräte kategorien: Die korrekten passenden Gewinde an beiden Enden des Schlauches auf das linke 1/4" (0,64 cm) BSP-Gewinde des Ventils aufschrauben.

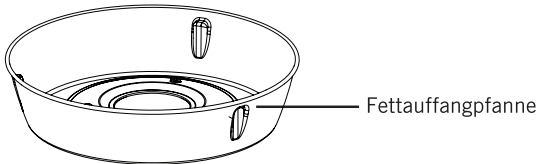
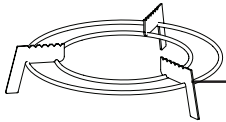
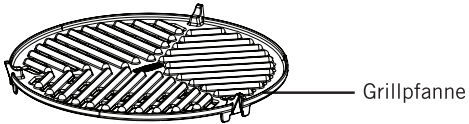
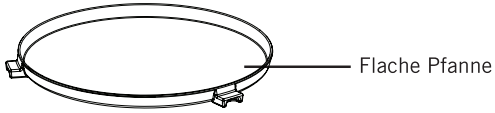
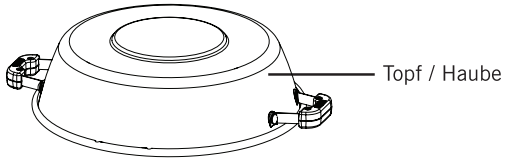


Fügen Sie am anderen Ende des Schlauchs einen geeigneten 50 mbar Niederdruck-Regler an. Der Schlauch muss die Auflagen von DIN 4815 Teil 2 oder ähnlich erfüllen.

- Hinweis: Der Schlauch und der Regler sind nicht im Lieferumfang des Safari Chef 2 enthalten. Weitere Einzelheiten erfahren Sie von Ihrem Händler vor Ort.
- Der Schlauch soll nicht kürzer als 800 mm und nicht länger als 1,5 m sein. Prüfen Sie das Verfallsdatum des Schlauchs und erneuern Sie ihn wenn notwendig oder wenn es die nationalen Vorschriften erfordern. Den Schlauch nicht verdrehen oder einklemmen.
- **Ihr Gerät kann jetzt benutzt werden.**

4. Teileliste

Safari Chef 2 - Niederdruck



Brenner

Hitzeschild

Standbein-Verriegelungsclip

Kontrollregler

Piezo-Zünder (NUR 6540L1)

Bein

Gummifuß

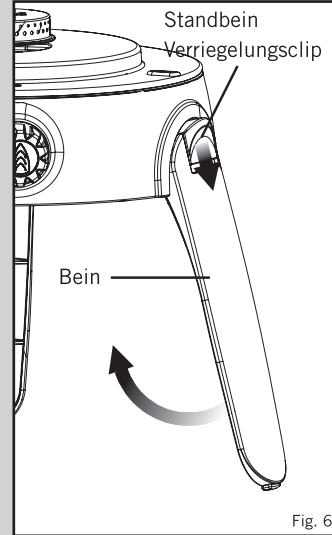


Fig. 7

5. Montage und Änderung des Schlauchs und des Gasbehälters

- Bevor Sie den Regler an einen Gasbehälter anbringen, stellen Sie bitte sicher, dass sich die Dichtung des Regler in der richtigen Position und dass sie sich in einem guten Zustand befindet. Das sollte man mit jeder Verbindung machen.
- Achten Sie darauf, dass der Gasbehälter im Freien montiert oder ausgetauscht und von Zündquellen, wie offene Flammen, elektrischem Feuer und von anderen Personen fern gehalten wird.
- Achten Sie darauf, dass der Gasbehälter aufrecht steht und schrauben Sie den Regler auf den Behälter, bis er festsitzt. Nicht zu fest anziehen.
- Falls es bei Ihrem Gerät ein Leck gibt (riecht nach Gas), nehmen Sie es sofort in eine flammenfreie Umgebung, wo das Leck gefunden und repariert werden kann. Wenn Sie Ihr Gerät auf Gaslecks prüfen möchten, so tun Sie dies am Besten im Freien mit etwas Seifenwasser, das Sie auf die Verbindungssteile streichen. Blasen zeigen die Gaslecks an.
- Prüfen Sie, dass alle Verbindungen festsitzen, und überprüfen Sie sie erneut mit Seifenwasser. Wenn Sie das Gasleck nicht beseitigen können, dürfen Sie das Gerät nicht benutzen. Bitten Sie Ihren örtlichen CADAC-Vertragshändler um Hilfe.
- Wenn Sie einen Gasbehälter auswechseln, sollten Sie zuerst das Zylinder-Ventil und danach das Geräte-Ventil schließen (siehe Abb. 1 und 2). Achten Sie darauf, dass die Flamme aus ist, und schrauben Sie dann den Regler ab. Unter den gleichen oben beschriebenen Bedingungen können Sie auch einen neuen Gasbehälter anschließen.

6. Benutzung des Gerätes

- Dieses Gerät darf nur im Freien benutzt werden!
- Bei Benutzung vor Wind schützen, um optimale Leistung zu erzielen.
- Das Gerät nicht bewegen, so lange es heiß ist. Die Verwendung von Schutzhandschuhen wird empfohlen.
- VORSICHT: Zugängliche Teile können sehr heiß werden. Halten Sie Ihre Kinder von dem Gerät fern.
- Für die Lagerung das Gerät auskühlen lassen. Nach der Reinigung:
 - Klappen Sie das Gerät, wie oben in Abschnitt 3 beschrieben, zusammen.
 - Legen Sie den Topf oder die Haube unten in die Tasche.
 - Als nächstes stellen Sie den Topfständer umgekehrt in den Topf.
 - Platzieren Sie die umgekehrte Fettauffangpfanne über den Topf und Topfstand.
 - Dann stellen Sie das Gerät umgekehrt über die Fettauffangpfanne.
 - Die Grillpfanne und die flache Pfanne in die separaten Halter im Deckel der Tasche stecken und sie dann schließen.

Den Deckel der Tasche über die Tasche falten und dann schließen. (Abb. 8)

- Lassen Sie das Gerät in der Tragetasche, wenn es nicht benutzt wird. Damit wird vermieden, dass Schmutz oder Insekten in den Grill gelangen, was den Gasfluss beeinträchtigen kann.
- Wenn Sie den Grill anzünden wollen, achten Sie bitte darauf, dass die Gaszufuhr vom Gasbehälter offen ist, bevor Sie den Gaszufluss des Gerätes anstellen.
- Benutzung des Kontrollreglers
Der Kontrollregler ist mit zwei positiven Stop-Positionen versehen, eine für die niedrige und die andere für die hohe Position, wobei letztere gleichzeitig die Position zum Anzünden ist. Damit wird die Flammenregulierung zwischen diesen beiden Punkten festgesetzt.
Anzünden mit dem Piezo-Zünder
- Um das Gerät mit dem Piezo-Zünder zu benutzen, halten Sie den Kontrollregler gedrückt und drehen ihn gleichzeitig entgegen dem Uhrzeigersinn, bis Sie ein 'Klick' hören. Falls sich das Gas nicht gleich beim ersten Funken entzündet, drücken Sie den Kontrollregler und drehen ihn vollständig im Uhrzeigersinn. Versuchen Sie es erneut, drehen Sie den Kontrollregler entgegen dem Uhrzeigersinn, bis Sie den 'Klick' hören. Falls sich das Gas nicht in der ersten bis dritten Sekunde entzündet, sollten Sie das Kontrollventil schließen, indem Sie den Kontrollregler eindrücken und ihn vollständig im Uhrzeigersinn drehen. Warten Sie ungefähr dreißig Sekunden, damit angesammeltes Gas in der Brennerpfannen-Einheit entweichen kann. Falls notwendig wiederholen sie diesen Vorgang, bis sich die Flamme entzündet. Normalerweise sollte sich die Flamme innerhalb von eins bis zwei Sekunden entzünden.
Anzünden mit einem Grillfeuerzeug
- Das Gerät kann vor dem Aufsetzen der gewünschten Kochflächen auf die Fettauffangpfanne mit einem Grillfeuerzeug angezündet werden. Dabei die Gaszufuhr langsam erhöhen und gleichzeitig den Kontrollregler entgegen dem Uhrzeigersinn drehen.
- Benutzen Sie den Kontrollregler, um die Intensität der Flamme auf die gewünschte Stufe einzustellen. Drehen Sie den Regler im Uhrzeigersinn, um die Flamme zu verringern und entgegen dem Uhrzeigersinn, um sie zu erhöhen.
- Wenn nicht in Gebrauch, trennen Sie bitte das Gerät von der Gaszufuhr.
- **WARNUNG:** Keine der Kochflächen länger als 10 Minuten bei hoher Flamme benutzen, da sonst die Antihalt-Beschichtung beschädigt werden könnte.



7. Koch-Optionen

- Ihr Safari Chef 2 bietet Ihnen vier verschiedene Koch-Optionen. Das sind:

Grillen: Diese Koch-Option eignet sich ganz besonders für fettfreies Grillen von Hähnchen, Würsten, Koteletts, Kebabs, Fisch oder Gemüse. Für diese Kochart stellen Sie die Fettauffangpfanne auf das Hitzeschild. Legen Sie die Grillpfanne in ihre Position auf der Fettauffangpfanne.

Vorsicht: Beachten Sie, dass beim Grillen von fettem Fleisch etwas Fett in das Gerät fallen kann, wodurch Stichflammen entstehen können. Beim Umgang mit derartigem Fleisch vorsichtig sein. Die Kochtemperaturen lassen sich gemäß Ihren Anforderungen durch Drehen des Ventilknopfs zum Erreichen des gewünschten Hitzezugs leicht einstellen.

Braten: Diese Option ist ideal für Pfannengerichte, Fisch, Frühstück, Pfannkuchen, Garnelen, Paella und Gemüse.

Für diese Kochart stellen Sie die Fettauffangpfanne auf das Hitzeschild. Legen Sie die flache Pfanne in ihre Position auf die Fettauffangpfanne. Die flache Pfanne eignet sich nicht zum Frittieren. Die leicht zu reinigende Oberfläche fördert den minimalen Einsatz von Fett für gesundes Kochen.

Ofen-Haube / Wok: Die Haube kann auch als Wok verwandt werden oder um einen Ofen auf dem Grill zu erstellen oder als Kochtopf. Für Wok-Kochen stellen Sie die Haube umgekehrt auf den Topfständer und bereiten darin Pfannengerichte, Pasta-Gerichte oder Paella zu. Um die Haube als Ofen einzusetzen, platzieren Sie die Haube über ein kochendes Gericht auf dem Grill zum Konvektionskochen. Das eignet sich besonders für das Braten von Hähnchen, Lamm-, Rind- oder Schweinefleisch. Die Haube kann man auch als Kochtopf zum Erhitzen von Soßen oder für Marinaden verwenden oder um Wasser, Reis, Pasta usw. zu kochen. Platzieren Sie die Haube umgekehrt direkt auf den Topfständer.

Kochen: Für diese Kochart platzieren den Topfständer in die Standlöcher auf dem Hitzeschild und achten darauf, dass der Topf richtig fest sitzt. Stellen Sie einen passenden Topf (über 150 mm aber nicht größer als 230 mm Durchmesser) oder die Safari-Chef-2 Haube auf den Topfständer. Die Fettauffangpfanne wurde konzipiert, um auf der Haube als Deckel für das Kochen von Speisen zu funktionieren. Ein Liter Wasser wird in etwa 6 Minuten kochen, je nach den Bedingungen, Kochtopfgröße usw. Hinweis: Wenn Sie kleine Töpfe benutzen, verwenden Sie bitte keine mit Plastikgriffen.



8. Reinigung

Grillteil

- Zum Reinigen die Fettauffangpfanne, die flache Pfanne und die Grillpfanne in warmen Wasser mit einem nicht-scheuernden Waschmittel waschen, nachdem Sie zuvor alle von Kochen übrig gebliebenen Speisereste entfernt haben.
- Die Haube können Sie in warmen Wasser mit einem nicht-scheuernden Waschmittel waschen.
- Verwenden Sie an keinem Teil irgendwelche Scheuermittel, da dies die Oberflächenbeschichtung beschädigen kann.
- Diese Teile lassen sich auch perfekt in einer Spülmaschine waschen, nachdem vorher Speisereste entfernt worden sind.

Körper / Standbeine

- Am besten lässt sich das mit einem weichen, feuchten Tuch und einem milden nicht-scheuernden Waschmittel reinigen. Nicht in der Spülmaschine waschen, weil dadurch Wasser in das Ventil oder die Brenneröffnungen eintreten kann, wodurch Fehlfunktionen auftreten können.
- Beim Reinigen des Körpers/der Standbeine muss evtl. der Topfständer entfernt werden. Das erreichen Sie, indem Sie den Topfständer aus den Standlöchern im Hitzeschild heben.

9. Allgemeine Pflege

- Die Pflege des Gerätes liegt ab Datum des Kauf allein beim Benutzer des Gerätes.
- Eine planmäßige Pflege ist für dieses Gerät nicht notwendig.
- Nach einer längeren Lagerung prüfen Sie bitte die Luftlöcher unter dem Gerät und den Venturi-Eingang nach Insekten wie Spinnen usw., die die Gaszufuhr beeinträchtigen können. Nach der Inspektion setzen Sie alle Teile in der vorgeschriebenen Position wieder zusammen.

Austausch eines blockierten Jets:

- Ihr Safari-Chef-2 ist mit einem Jet in einer spezifischen Größe ausgestattet, um die korrekte Gasmenge zu regulieren.
- Sollte das Loch in dem Jet blockiert sein, so ergibt sich daraus eine sehr kleine oder gar keine Flamme. Versuchen Sie nicht, den Jet mit einer Nadel oder einem ähnlichen Werkzeug zu reinigen, denn das könnte die Öffnung beschädigen und damit das Gerät unsicher machen.
- Um einen Jet auszuwechseln: Entfernen Sie die Fettauffangpfanne (Abb. 9). Entfernen Sie vorsichtig die Brennerereinheit (Abb. 10). Entfernen Sie die drei Schrauben aus der Hitzeschildplatte und nehmen dann das Hitzeschild ab (Abb. 11), achten Sie darauf die Piezo-Elektrode nicht zu beschädigen. Der Jet kann jetzt mit einem geeigneten Schraubenschlüssel herausgenommen werden (Abb. 12). Benutzen Sie an dem Jet keine Zange, da dies den Jet beschädigen oder unbrauchbar oder überhaupt nicht entfernbar machen könnte. Schrauben Sie den neuen Jet in das Ventil. Bitte nicht überdrehen oder sonst wird der Jet beschädigt.
- Die Geräteeinheit kann in umgekehrter Reihenfolge wieder eingebaut werden.

Austausch des Schlauchs:

- Der passende Schlauch wurde in dem Abschnitt 5 - Montage und Änderung des Schlauchs und des Gasbehälters



Fig. 9

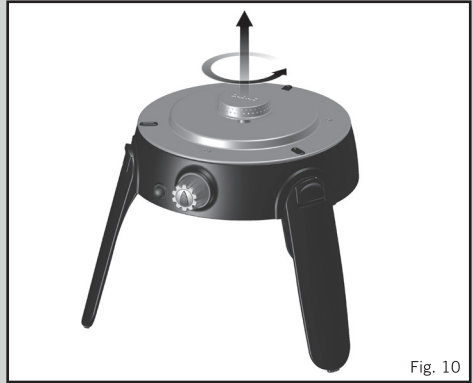


Fig. 10



Fig. 11

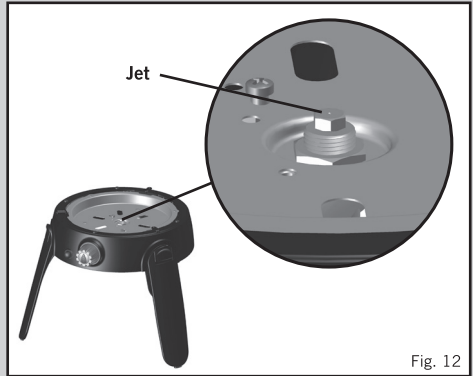


Fig. 12

10. Rückgabe des Gerätes zur Reparatur oder zum Service

- Ändern Sie nichts an dem Gerät, denn das könnte gefährlich sein.
- Wenn Sie die Störung durch Befolgung dieser Anweisungen nicht beheben können, kontaktieren Sie bitte Ihren örtlichen CADAC-Vertragshändler, um von ihm Informationen über die Rückgabe des Produktes zu erhalten.
- Ihr CADAC-Safari-Chef-2 ist von CADAC für einen Zeitraum von 2 Jahren gegen Fabrikfehler garantiert.

11. Ersatzteile und Zubehör

- Verwenden Sie ausschließlich CADAC-Originalersatzteile, weil diese entwickelt wurden, um in Verbindung mit dem CADAC-Grill optimale Leistung zu gewähren.

Beschreibung	Teile-Nr.	Beschreibung	Teile-Nr.
Jet: 0.58mm (28/37mBar)	6540-SPO01	Kontrollregler	6540-SPO07
Jet: 0.51mm (50mBar)	6540-SP013	Piezo-Montage	6540-SPO08
Grillpfanne	6540-SPO02	Standbein (links / rechts)	6540-SPO10
Flache Pfanne	6540-SPO04	Standbein (hinten)	6540-SPO09
Topfstand	6540-SPO03	Tragetasche	6540-SPO06
Brennereinheit	6540-SPO05	Haube	6540-SP011
Fettauffangpfanne	6540-SP017	Silikon-Abstandshalter	6540-SP019
Niederdruckventil	6540-SP016	Haubengriff-Gruppierung	6540-SPO20

BELANGRIJK
Deze gebruiksaanwijzing goed doorlezen om vertrouwd te raken met het toestel voordat deze op zijn gasfles wordt aangesloten. Bewaar deze instructies voor toekomstige raadpleging.

1. Algemene informatie

- Dit toestel is ontworpen voor het buiten koken, specifiek voor mensen die gaan kamperen om van het buitenleven te genieten en hij kan ook thuis op je terras gebruikt worden.
- Diverse soorten voedsel kunnen op dit toestel worden bereid. De Safari Chef 2 is ontworpen voor het gebruik met verscheidene kookoppervlakken.
- Gas wordt via een gaslang en een regelaar naar het toestel gevoerd (lage druk model) of direct aangesloten op een wegwerp gaspatroon (Hoge druk model). De gaslang en regelaar kunnen aangesloten worden op een gasfles, een gaspatroon, of een CADAC Power Pak 1000 wat een toestel is die gebruik maakt van twee gaspatronen. (Niet meegeleverd met het toestel.)

6540L0, 6540L1				
Land van gebruik	BE, CH, CY, CZ, ES, FR, GB, GR, IE, IT, LT, LU, LV, PT, SK & SI	PL	BE, CY, DK, EE, FR, FI, HU, IT, LT, NL, NO, SE, SI, SK, RO, HR, TR, BG, IS, LU, MT, & ZA	AT, CH, DE & SK
Toestel categorieën	I ₃₊ (28-30/37)	I _{3B/P} (37)	I _{3B/P} (30)	I _{3B/P} (50)
Toegestane gassoorten	Butaan	Propaan	Butaan, Propaan of hun mengsel	
Gasdruk	28-30mBar	37mBar	37mBar	28-30mBar (2,8 kPa voor Zuid Afrika) 50mBar
Nummer van gaspit	0.58			0.51
Nominaal verbruik	110g/hr	119 g/hr	110g/hr	110 g/hr
Bruto nominale warmtetoever	1.5kW	1.63 kW	1.5kW	1.5 kW

- Het toestel is gemakkelijk aan te zetten, en te bedienen (Paragraaf 6) en de gebruiker kan de warmtetoever regelen doormiddel van een regelbaar ventiel.
- Het toestel wordt geleverd met een handige draagtas.
- Dit toestel voldoet aan de normen EN498:2012 en SANS 1539:2012
- Dit toestel mag alleen gebruikt worden met een goedgekeurde gaslang en regelaar aangesloten op een navulbare gasfles in overeenstemming met de plaatselijke voorschriften die van kracht zijn.
- De navulbare gasfles moet rechtopstaand gebruikt worden.
- Waarschuwing: Bereikbare delen kunnen zeer heet zijn. Houd kinderen op afstand.
- Gastoestellen hebben ventilatie nodig voor een efficiënte werking en om de veiligheid van de gebruikers en andere personen dicht in de buurt te garanderen, gebruik daarom het toestel niet op een niet geventileerde plek. Zij zijn alleen bestemd voor buitenshuis gebruik.

- Lees deze gebruiksaanwijzing goed door voordat het toestel wordt gebruikt.

- **Alleen buitenshuis gebruiken!**

Landnamen en afkortingen				
AE = United Arab Emirates	AL = Albania	AT = Austria	BE = Belgium	CH = Switzerland
CZ = Czech Republic	DE = Germany	DK = Denmark	ES = Spain	FI = Finland
FR = France	GB = United Kingdom	GR = Greece	HR = Croatia	IT = Italy
JP = Japan	KR = Korea	NL = Netherlands	NO = Norway	PL = Poland
PT = Portugal	RO = Romania	RU = Russia	RS = Serbia	SI = Slovenia
SK = Slovakia	SE = Sweden	TR = Turkey	ZA = South Africa	

2. Veiligheidsinformatie

- Het toestel niet verplaatsen tijdens gebruik.
- Draai na gebruik de gastoevoer van de gasfles uit.
- De gaslang moet elke keer vóór het gebruik gecontroleerd worden op slijtage of beschadiging voordat deze aangesloten wordt op de gasfles.
- Gebruik het toestel niet als deze een beschadigde of versleten gaslang heeft. Vervang de gaslang.
- Gebruik geen toestel wat lekt, beschadigd is of niet goed werkt.
- Zorg ervoor dat het toestel gebruikt wordt uit de nabijheid van brandbare materialen. Minimaal veilige afstanden zijn: Boven het toestel: 1,2 m. Aan de achterkant en aan de zijkanten: 600 mm. (Zie fig. 3)
- Zorg ervoor dat de gasfles buitenshuis wordt aangesloten of verwisseld, op afstand van warmtebronnen, zoals open vuur, waakvlammen, elektrische kachels en op afstand van andere mensen.
- Houd de gasfles uit de buurt van hitte en open vuur. Nooit op een kachel of een ander heet oppervlak plaatsen.
- Zorg ervoor dat het geassembleerd product stabiel is en niet kan bewegen.
- In het geval van een vlamterugslag (wanneer de vlam terugslaat en in de gaspilt ontsteekt), onmiddellijk de gastoevoer dichtdraaien door het sluiten van de regelaar op de gasfles en dan de gaskraan op het toestel. Nadat de vlam is gedoofd, de gasregelaar verwijderen en de staat van de afdichting controleren. Vervang bij twijfel de afdichting. Steek het toestel weer aan zoals hieronder beschreven is in paragraaf 6. Mocht de vlamterugslag hardnekkig zijn, stuur het product dan terug naar uw geautoriseerde CADAC reparateur.

2. Veiligheidsinformatie (vervolg)

- Wanneer er een lek in uw toestel zit (gaslucht), sluit dan onmiddellijk de kraan op de gasfles en neem hem mee naar een vlamvrije locatie waar het lek opgespoord en gestopt kan worden. Als u uw toestel wilt controleren op lekkage, doe dit dan buiten. Probeer nooit lekken op te sporen met een vlam; gebruik zeepwater.
- De juiste methode is de verbindingen insmeren met zeepwater bijv. waar de koppeling van de regelaar in de gasfles zit.
- Als er bellen ontstaan, dan is er een gaslek. Draai dan onmiddellijk de gastoevoer dicht door het dichtdraaien van de regelkraan op de gasfles en dan de gaskraan op het toestel. Controleer of alle verbindingen goed zijn. Nogmaals controleren met zeepwater.
- Als het gaslek blijft bestaan, stuur het product dan terug naar uw CADAC dealer voor inspectie/repairatie.
- **Alleen buitenshuis gebruiken.**

3. Montage instructies

- **WAARSCHUWING:** De poten staan onder veerspanning. Het openen en dichtduwen van de poten moet op een gecontroleerde manier worden gedaan om persoonlijk letsel of schade aan uw Safari Chef 2 te voorkomen.
- Om de poten te openen, het toestel ondersteboven keren en de poten naar beneden houden terwijl elke poot apart omhoog getild wordt. U hoort dan een "klik" wanneer de poot goed op zijn plaats zit.
- Om de poten terug te vouwen, de poot stevig vasthouden en de vrijgave clip van de poot naar beneden duwen. Druk dan de poot naar binnen naar zijn gesloten positie (fig. 6).
- Dit moet opeenvolgend gedaan worden om de ruimte te optimaliseren. Eerst de poot rechtsvoor (1), Dan de poot linksvoor (2), en tenslotte de achterste poot (3) (fig. 4b).
- Voordat de gastoevoer aangesloten wordt, eerst controleren of de gaskraan van het toestel in de uit stand staat door de bedieningsknop helemaal rechtsom te draaien (zie fig. 2).
- I 3B/P (30) en I 3+ (28-30/37) toestel categorieën: Plaats het aansluitstuk van de regelkraan op de regelkraan (Fig.5) door deze er linksom op te schroeven. Druk een gas slang met 8 mm binnendiameter op het aansluitstuk van de regelkraan totdat deze goed geplaatst zit. Op het andere uiteinde een geschikte 30 mbar lage druk (I 3B/P (30) en I 3+ (28-30/37) butaan configuraties) of een 37 mbar lage druk regelaar (I 3+ (28-30/37) propaan configuratie) aansluiten, en er weer voor zorgen dat de gas slang goed vast zit. De gas slang die gebruikt wordt moet voldoen aan de norm BS 3212/SABS 1156-2 of gelijkwaardig.
- Toestel categorie I 3B/P (50): Schroef een gas slang, met op beide uiteinden de juiste fittingen met schroefdraad, op de linkse ¼" BSP schroefdraad van de regelkraan. Sluit een geschikte 50 mbar lage druk gasregelaar aan op het andere uiteinde van de gas slang. De gas slang die wordt gebruikt moet voldoen aan de norm DIN 4815 deel 2 of gelijkwaardig.

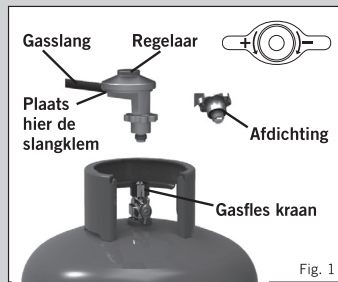


Fig. 1

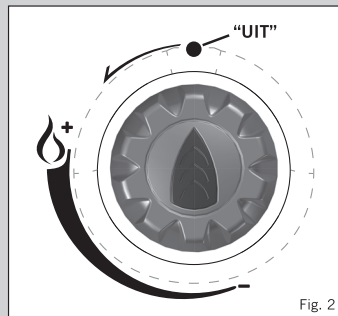


Fig. 2

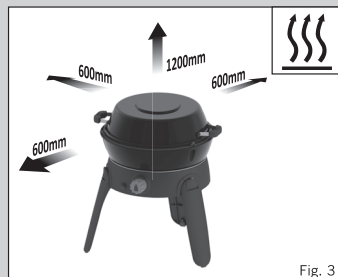


Fig. 3

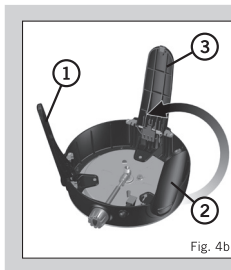


Fig. 4a



Fig. 4b

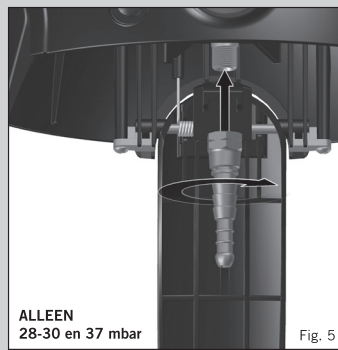


Fig. 5

- **Opmerking:** De gas slang en regelaar worden niet meegeleverd met de Safari Chef 2. Voor meer informatie contact opnemen met uw plaatselijke leverancier.
- De lengte van de gas slang mag niet korter zijn dan 800 mm en niet langer dan 1,5 m. Controleer de vervaldatum op de gas slang en vervang deze indien noodzakelijk of wanneer de voorwaarden van het land dit vereisen. De gas slang niet verdraaien of afknijpen.
- Uw toestel is nu klaar voor gebruik.

4. Onderdelenlijst

Safari Chef 2 – Lage druk

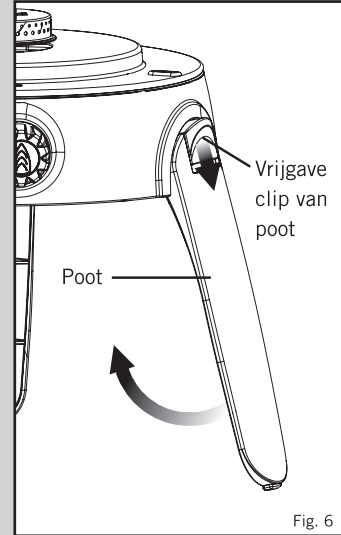
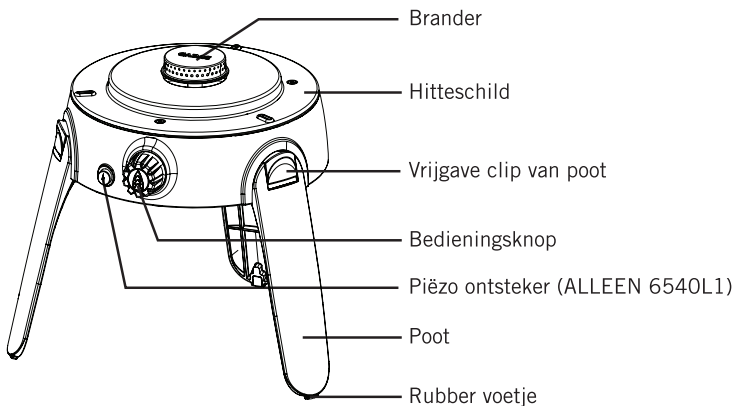
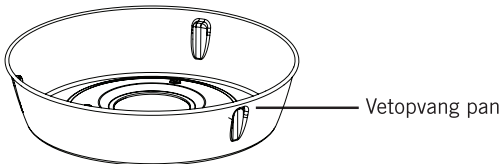
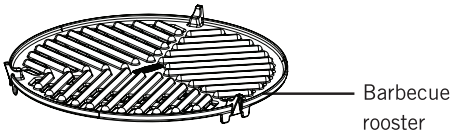
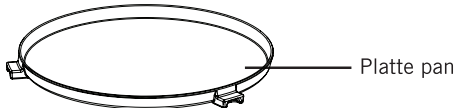
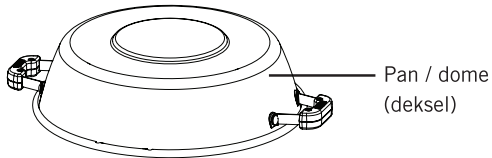


Fig. 7

5. Monteren en vervangen van de gaslang en gasfles

- Voordat de gasregelaar aangesloten wordt op de gasfles, ervoor zorgen dat de afdichting op de gasregelaar in goede staat is en op zijn plaats zit. Dit moet bij elke aansluiting gedaan worden.
- Zorg ervoor dat de gasfles buitenshuis wordt gemonteerd of vervangen, op afstand van elke soort hittebron zoals open vuur of elektrische kachels en op afstand van andere mensen.
- Zorg ervoor dat de gasfles rechtop staat en schroef de regelaar op de gasfles totdat deze goed aangesloten zit. Niet te vast aandraaien.
- Als er een lek in uw toestel zit (gaslucht), neem hem dan onmiddellijk mee naar een vlam-vrije locatie waar het lek opgespoord en gestopt kan worden.

Wanneer u op lekkages wilt controleren op uw toestel, doe dit dan alleen buiten met zeepwater die aangebracht is op de koppelingen. De vorming van bellen zal de lekkage aangeven.

- Controleer of alle verbindingen goed vastzitten en controleer deze nogmaals met zeepwater. Als u het gaslek niet kunt herstellen, gebruik het toestel dan niet. Neem contact op met uw plaatselijke CADAC leverancier voor verdere assistentie.
- Bij het vervangen van een gasfles de kraan van de gasfles dichtdraaien en dan de kraan van het toestel dichtdraaien (zie fig. 1 en 2). Ervoor zorgend dat de vlam geïsoleerd is, de gasregelaar losschroeven. Monteer een nieuwe volle gasfles volgens dezelfde voorzorgsmaatregelen zoals hierboven beschreven.

6. Het toestel gebruiken

- Dit toestel mag alleen buitenshuis gebruikt worden!
- Tijdens gebruik, afschermen tegen de wind voor optimale werking.
- Het toestel niet verplaatsen terwijl deze warm is. Het gebruik van beschermende handschoenen wordt aanbevolen.
- **VOORZICHTIG:** Bereikbare delen kunnen zeer warm worden. Houdt kleine kinderen uit de nabijheid van het toestel.
- Om hem in te pakken, het toestel eerst af laten koelen. Na het schoonmaken:

Het toestel opvouwen zoals hierboven beschreven in paragraaf 3. Plaats de pan / dome in de bodem van de draagtas.

Vervolgens de pandrager ondersteboven in de pan plaatsen.

Plaats de vetvangpan ondersteboven over de pan en pandrager.

Plaats dan het toestel ondersteboven op de vetvangpan.

Plaats het rooster en de platte pan in hun separate houders in de bovenkant van de draagtas, en rits ze dicht.

Vouw de klep van de tas dicht en rits deze dicht. (Fig. 8)

- Bewaar het toestel in zijn draagtas als hij niet gebruikt wordt omdat dit het binnendringen van vuil of insecten zal voorkomen wat de gasdoorstroming kan beïnvloeden.
- Bij het aansteken van het toestel, ervoor zorgen dat de gastoevoer van de gasfles open is voordat de gastoevoer van het toestel opgezet wordt.
- **Het gebruik van de bedieningsknop**

De bedieningsknop is gemonteerd met twee positieve aanslag standen, één bij laag, en één bij ontsteken / hoog. Dit limiteert de regeling van de vlam tussen deze twee standen.

Aansteken met behulp van de piëzo ontsteker

- Om het toestel aan te steken met behulp van de piëzo ontsteker, deze indrukken en de bedieningsknop linksom draaien totdat er een klik gehoord wordt. Als het gas niet met bij eerste vonk ontsteekt, indrukken en de bedieningsknop helemaal naar rechts draaien. Probeer het opnieuw, door in te drukken en de bedieningsknop linksom te draaien totdat u een klik hoort. Als het gas niet ontsteekt in de eerste twee of drie seconden moet de gaskraan dichtgedraaid worden door de bedieningsknop in te drukken en helemaal rechtsom te draaien. Wacht ongeveer dertig seconden om het overgebleven gas uit de brander eenheid weg te laten lopen. Herhaal het bovenstaand proces indien nodig totdat de vlam ontsteekt. De vlam moet normaliter binnen één tot twee seconden ontsteken.

Aansteken met een BBQ aansteker

- Voordat het gewenste kookoppervlak op de vetvangpan geplaatst wordt mag het toestel van bovenaf aangestoken worden met een BBQ aansteker terwijl de gastoevoer langzaam verhoogd wordt door de bedieningsknop linksom te draaien.
- Gebruik de bedieningsknop om de intensiteit van de gasvlam op het gewenste niveau in te stellen door de knop rechtsom te draaien voor het verminderen van de vlamgrootte en linksom om de vlam te vergroten.
- Wanneer het toestel niet in gebruik is deze van de gastoevoer loskoppelen.
- **WAARSCHUWING:** Gebruik geen kookvlakken langer dan 10 minuten op een hoge vlamstand aangezien dit de antiaanbaklaag kan beschadigen



7. Kookopties

- Er zijn vier kookopties beschikbaar met uw Safari Chef 2 toestel. Deze zijn:

Barbecueën: Deze kookoptie is ideaal voor het vetvrij barbecueën van kip, worsten, koteletten, kebabs, vis of groenten.

Voor deze kookmethode, de vetvangpan op het hittedeksel plaatsen. Plaats het BBQ rooster op de locators van de vetvangpan.

Voorzichtig: Graag erop letten dat bij het koken van vet vlees er wat vet op het toestel kan druiwen wat vlam opflikkeringen kan veroorzaken. Alstublieft voorzichtig zijn bij het gebruik van zulke vleessoorten. De kooktemperaturen kunnen eenvoudig ingesteld worden, aangepast aan uw eigen behoefte, door de gaskraan te verdraaien en zo de hoeveelheid warmte te regelen.

Bakken: Deze optie is ideaal voor roerbak, vis, ontbijt, pannenkoeken, garnalen, paella en groenten. Voor deze kookmethode, de vetopvang pan op het hittedeksel plaatsen. Plaats de platte pan op de locators van de vetopvang pan. Houd er rekening mee dat een ondiepe pan niet geschikt is voor frituren. Het eenvoudig schoon te maken oppervlak stimuleert het gezond koken door minimaal gebruik van vet.

Oven dome / wok: De dome (deksel) kan als wok gebruikt worden, als deksel om van de BBQ een oven te maken, of als kookpan. Voor het wokken, de dome ondersteboven direct op de pandrager plaatsen en gebruiken om roerbak, pasta gerechten of paella te bereiden. Om de dome als ovendeksel te gebruiken de dome plaatsen over een gerecht wat op de BBQ bereid wordt op de convectie kookmethode. Dit is ideaal voor het roosteren van kip, lamsvlees, rundvlees of varkensvlees. De dome kan ook gebruikt worden als kookpan, voor het opwarmen van sauzen, marinades, water koken, rijst koken, pasta enz. Plaats de dome ondersteboven direct op de pandrager.

Koken: Voor deze kookmethode, de pandrager in zijn locator groeven op het hittedeksel plaatsen en ervoor zorgen dat deze goed op zijn plaats zit. Plaats een geschikte pan erop (niet minder dan 150 mm in diameter en niet meer dan 230 mm in diameter) of de Safari Chef 2 dome op de pandrager.

De vetopvang pan is ontworpen voor het plaatsen op de dome om te fungeren als deksel voor de dome om gerechten te koken. Een liter water zal na ongeveer 6 minuten koken afhankelijk van omstandigheden, formaat van gebruikte pan, enz. **Opmerking:** Bij gebruik van kleine pannen geen pannen gebruiken met plastic handvaten.



8. Schoonmaken

BBQ eenheid

- Om de vetopvang pan, platte pan, en het BBQ rooster schoon te maken, wassen in warm water met een niet schurend afwasmiddel nadat eerst het overgebleven vet na het koken is afgeveegd.
- Om de dome schoon te maken, deze afwassen in warm water met een niet schurend afwasmiddel.
- Gebruik geen schuurmiddel op welk deel dan ook omdat dit de coating zal beschadigen.
- Deze delen zijn, na het verwijderen van het overtollig vet, uitstekend schoon te maken in de vaatwasser.

Frame / poten

- Deze kunnen het beste met een zachte vochtige doek en een mild niet schurend afwasmiddel schoongemaakt worden. Niet in de vaatwasser gebruiken omdat er hierdoor water in de kraan of branders kan komen wat storingen aan het toestel zal veroorzaken.
- Bij het schoonmaken van de frame/poten moet de pandrager misschien verwijderd te worden. Dit kan gedaan worden door de pandrager uit de locator gleuf van het hittedeksel te tillen.

9. Algemeen onderhoud

- Vanaf de aankoopdatum rust de verplichting voor het onderhoud van dit toestel uitsluitend op de gebruiker.
- Dit toestel heeft geen periodiek onderhoud nodig.
- Na langdurende opslag de luchtgaten onder het toestel en de inlaat van de venturi inspecteren op insecten zoals spinnen, enz. die de gasdoorvoer kunnen beïnvloeden. Na controle, alle componenten in de voorgeschreven positie terugplaatsen.
Vervangen van een verstopte gaspit:
- Uw Safari Chef 2 is uitgerust met een specifieke maat gaspit om de juiste hoeveelheid gas te regelen.
- Mocht het gaatje in de gaspit verstopt raken, dan kan dat resulteren in een kleinere vlam of helemaal geen vlam. Probeer de gaspit niet schoon te maken met een speld of een ander dergelijk hulpmiddel aangezien dit de opening kan beschadigen, wat het toestel onveilig kan maken.
- Om de gaspit te vervangen: Verwijder de vetopvang pan (fig. 9). Voorzichtig de brander losschroeven (fig. 10). Verwijder de drie schroeven van het hittedeksel en verwijder het hittedeksel (fig. 11), en ervoor zorgen dat de piëzo electrode niet beschadigd wordt. De gaspit kan nu verwijderd worden met behulp van een geschikte sleutel (fig. 12). Gebruik geen tang voor de gaspit omdat dit de gaspit kan beschadigen waardoor deze onbruikbaar wordt of onmogelijk verwijderd kan worden. Schroef de nieuwe de gaspit in de regelkraan. Niet te vast aandraaien omdat dit de gaspit kan beschadigen.
- De bovenstaande procedure omgekeerd uitvoeren om het toestel weer in elkaar te zetten.
Vervangen van de gas slang:
- Het aansluiten van een gas slang wordt beschreven in Paragraaf 5 - Monteren en vervangen van de gas slang en gas fles



Fig. 9

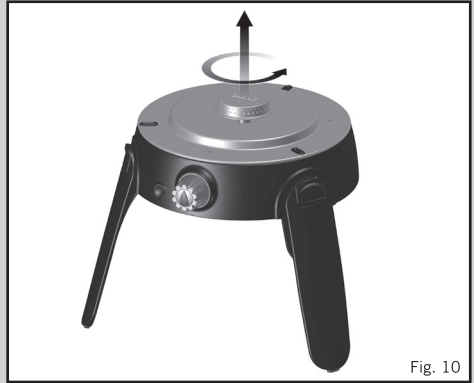


Fig. 10



Fig. 11

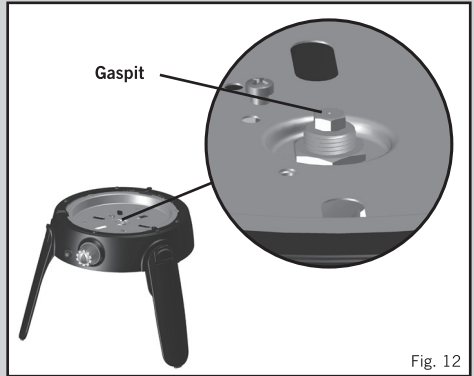


Fig. 12

10. Terugzenden van het toestel voor reparatie of service

- Geen veranderingen op het toestel aanbrengen omdat dit gevaarlijk kan zijn.
- Als u een defect niet kunt herstellen door het volgen van deze instructies, neem dan contact op met uw plaatselijke CADAC distributeur voor nadere informatie over hoe het product teruggestuurd kan worden voor verdere behandeling.
- Uw CADAC Safari Chef 2 heeft bij CADAC een garantietermijn van 2 jaar op fabrieksfouten.

11. Reserveonderdelen en accessoires

- Gebruik altijd originele CADAC reserveonderdelen omdat die ontworpen zijn om optimale prestaties te leveren.

Beschrijving	Artikelnr.	Beschrijving	Artikelnr.
Gaspit: 0.58mm (28/37mBar)	6540-SP001	Bedieningsknop	6540-SP007
Gaspit: 0.51mm (50mBar)	6540-SP013	Piëzo samenstelling	6540-SP008
Barbecue rooster	6540-SP002	Poot (links / rechts)	6540-SP010
Platte pan	6540-SP004	Poot (achter)	6540-SP009
Pandrager	6540-SP003	Draagtas	6540-SP006
Brandereenheid	6540-SP005	Dome deksel	6540-SP011
Vetopvang pan	6540-SP017	Silicone vulstuk	6540-SP019
LD ventiel	6540-SP016	Handgreep van dome samenstelling	6540-SP020

ATTENTION

Réservé uniquement à une utilisation extérieure !

Cet appareil ne peut pas être utilisé sur un balcon clos extérieur, sous un porche ou dans une zone de divertissement !

IMPORTANT

Lire attentivement les présentes instructions d'utilisation afin de vous familiariser avec l'appareil avant de le raccorder à sa bouteille de gaz. Conservez ces instructions pour pouvoir les consulter à l'avenir.

1. Informations générales

- Cet appareil a été conçu pour cuisiner à l'extérieur, particulièrement pour les amoureux du camping et du grand air, et peut être également utilisé dans un patio, à la maison.
- Cet appareil permet de préparer différents types de plats. Le Safari Chef 2 est conçu pour mettre à disposition différentes surfaces de cuisson.
- L'appareil est alimenté en gaz par l'intermédiaire d'un tuyau et d'un détendeur (modèle Basse Pression), ou connecté directement à une cartouche de gaz jetable (modèle Haute Pression). Le tuyau et le détendeur peuvent être raccordés à une bouteille de gaz, à une cartouche de gaz ou à un CADAC Power Pak 1000, une unité contenant de deux cartouches de gaz. (Non fournis avec l'appareil.)

6540L0, 6540L1					
Pays d'utilisation	BE, CH, CY, CZ, ES, FR, GB, GR, IE, IT, LT, LU, LV, PT, SK & SI	PL	BE, CY, DK, EE, FR, FI, HU, IT, LT, NL, NO, SE, SI, SK, RO, HR, TR, BG, IS, LU, MT, & ZA	AT, CH, DE & SK	
Catégories d'appareil	I ₃₊ (28-30/37)		I _{3B/P} (37)	I _{3B/P} (30)	I _{3B/P} (50)
Gaz admissibles	Butane	Propane	Butane, Propane ou leurs mélanges		
Pression de service	28-30mBar	37mBar	37mBar	28-30mBar (2,8 kPa pour l'Afrique du Sud)	50mBar
Numéro de gicleur	0,58			0,51	
Utilisation nominale	110g/hr	119 g/hr	110g/hr	110 g/hr	
Puissance calorifique brute nominale	1.5kW	1.63 kW	1.5kW	1.5 kW	

- L'appareil est facile à allumer et à utiliser (voir la Section 6) et l'utilisateur peut régler la chaleur produite grâce à une vanne réglable.
- L'unité est fournie avec un Sac de transport pratique.
- Cet appareil est conforme aux normes EN498:2012 et SANS 1539:2012.
- Cet appareil ne doit être utilisé qu'avec un tuyau et un détendeur homologués, reliés à une bouteille de gaz rechargeable conforme à la réglementation locale en vigueur.
- La bouteille de gaz rechargeable doit être utilisée uniquement en position verticale.
- Avertissement : Certaines pièces accessibles peuvent être très chaudes. Tenir les enfants éloignés.
- Pour des performances optimales et pour la sécurité des utilisateurs et des autres personnes à proximité immédiate, les appareils à gaz nécessitent une ventilation ; par conséquent, ne pas utiliser l'appareil dans un endroit non ventilé. Cet appareil doit être utilisé uniquement à l'extérieur.

- Lire attentivement ces instructions avant d'utiliser l'appareil.

- À utiliser exclusivement en extérieur!

Nom de pays et abréviations				
AE = United Arab Emirates	AL = Albania	AT = Austria	BE = Belgium	CH = Switzerland
CZ = Czech Republic	DE = Germany	DK = Denmark	ES = Spain	FI = Finland
FR = France	GB = United Kingdom	GR = Greece	HR = Croatia	IT = Italy
JP = Japan	KR = Korea	NL = Netherlands	NO = Norway	PL = Poland
PT = Portugal	RO = Romania	RU = Russia	RS = Serbia	SI = Slovenia
SK = Slovakia	SE = Sweden	TR = Turkey	ZA = South Africa	

2. Informations relatives à la sécurité

- Ne pas déplacer l'appareil pendant son utilisation.
- Couper l'alimentation de gaz au niveau de la bouteille de gaz après usage.
- Vous devez vérifier que le tuyau n'est ni usé ni endommagé avant chaque utilisation et avant de le raccorder à la bouteille de gaz.
- N'utilisez pas l'appareil si le tuyau est endommagé ou usé. Remplacez le tuyau.
- N'utilisez pas un appareil qui fuit, qui est endommagé ou qui ne fonctionne pas correctement.
- Assurez-vous que l'appareil est utilisé à distance de toute matière inflammable. Les distances de sécurité minimales sont les suivantes : Au-dessus de l'appareil : 1,2 m. À l'arrière et sur les côtés : 600 mm. (Voir Fig. 3)
- Veiller à installer ou à remplacer la bouteille de gaz à l'extérieur et à l'écart d'autres personnes, loin de toute source potentielle d'incendie, telles que des flammes nues, de veilleuses ou des cheminées électriques.
- Tenez les bouteilles de gaz à l'écart de toute source de chaleur ou flamme. Ne les placez pas sur une cuisinière ou toute autre surface chaude.
- Veiller à ce que l'appareil soit stable et ne bouge pas.
- En cas de retour de flamme (lorsque la flamme remonte et enflamme le gicleur), couper immédiatement l'alimentation en gaz en fermant tout d'abord le robinet de réglage de la bouteille de gaz, puis le robinet de l'appareil. Lorsque la flamme est éteinte, retirez le détendeur et vérifiez l'état du joint. Remplacez-le en cas de doute. Rallumez l'appareil comme décrit à la section 6 ci-dessous. Si le retour de flamme se reproduit, retournez le produit à votre agent de réparation CADAC autorisé.

2. Informations relatives à la sécurité (suite)

- En cas de présence d'une fuite sur l'appareil (odeur de gaz), fermer immédiatement le robinet de la bouteille de gaz et placer l'appareil dans un lieu dépourvu de toute flamme libre, afin de pouvoir détecter et stopper la fuite. Si vous souhaitez rechercher des fuites sur votre appareil, faites-le à l'extérieur. N'essayez pas de détecter les fuites à l'aide d'une flamme. Utilisez de l'eau savonneuse.
- La bonne méthode consiste à enduire les joints d'eau savonneuse, au niveau du raccord avec la bouteille de gaz par exemple.
- Si une ou plusieurs bulles se forment, cela signifie qu'il y a une fuite de gaz. Couper immédiatement l'alimentation en gaz en fermant tout d'abord le robinet de réglage de la bouteille de gaz, puis le robinet de l'appareil. Vérifiez que toutes les connexions sont bien en place. Procédez à une nouvelle vérification avec de l'eau savonneuse.
- Si une fuite de gaz persiste, retournez le produit à votre distributeur CADAC en vue d'une inspection/réparation.
- À utiliser exclusivement en extérieur.

3. Instructions d'assemblage

- **AVERTISSEMENT** : Les pieds de l'appareil sont équipés de ressorts. Le pliage et le dépliage des pieds doivent être réalisés avec précaution, de façon à éviter toute blessure ou tout endommagement du Safari Chef 2.
- Pour déplier les pieds, mettre l'appareil à l'envers et maintenir les pieds vers le bas tout en soulevant chaque pied individuellement. Un « clic » retentira lorsque le/s pied/s sera/ seront mis en place correctement.
- Pour plier les pieds en arrière, tenir solidement le pied et pousser sur la Bride de libération du pied. Ensuite, pousser les pieds vers l'intérieur dans leur position de repos (Fig. 6). Cette opération doit être réalisée dans un ordre chronologique afin d'optimiser l'espace. Commencer par le pied avant droit (1), puis le pied avant gauche (2), et finir par le pied arrière (3) (Fig. 4b).
- Avant de connecter l'alimentation en gaz, vérifier tout d'abord que le robinet de l'appareil est en position d'arrêt, en tournant le Bouton de réglage dans le sens horaire jusqu'à sa butée (voir Fig. 2).

- **Catégories d'appareil I 3B/P (30) et I 3+ (28-30/37)** : Raccordez la pièce de raccord du robinet au robinet (Fig. 5) en la vissant dans le sens inverse des aiguilles d'une montre. Insérez un tuyau d'un diamètre intérieur de 8 mm sur la pièce de raccord de robinet jusqu'à ce qu'il soit correctement installé. À l'autre extrémité, fixer un détendeur basse pression de 30 mbar (configurations Butane I 3B/P (30) et I 3+ (28-30/37)) ou de 37 mbar (configuration Propane I 3+ (28-30/37)), en vérifiant toujours que le tuyau est enfoncé correctement. Le tuyau utilisé doit être conforme à la norme BS 3212-/ SABS 1156-2 ou équivalent.

- **Catégorie d'appareil I 3B/P (50)** : Vissez un tuyau disposant des bons raccords filetés à chaque extrémité sur le filetage

gaz de ¼ po gauche du robinet. Fixez un détendeur à basse pression de 50 mbar adapté à l'autre extrémité du tuyau. Le tuyau utilisé doit être conforme à la norme DIN 4815 partie 2 ou équivalente.

- **Remarque** : Le tuyau et le détendeur ne sont pas fournis avec le Safari Chef 2. Pour plus de détails, contacter un revendeur local.
- La longueur du tuyau doit être d'au moins 800 mm et ne doit pas dépasser 1,5 m. Vérifiez la date d'expiration présente sur le tuyau et remplacez-le lorsque nécessaire ou lorsque des conditions nationales le requièrent. Ne tordez pas ni ne pincez pas le tuyau.
- Votre appareil est maintenant prêt à l'emploi.

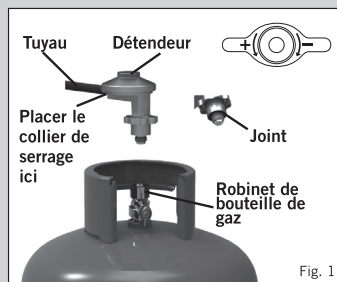


Fig. 1

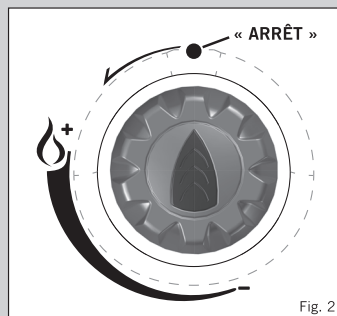


Fig. 2

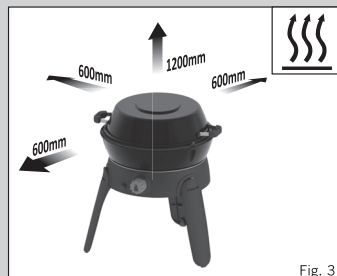


Fig. 3

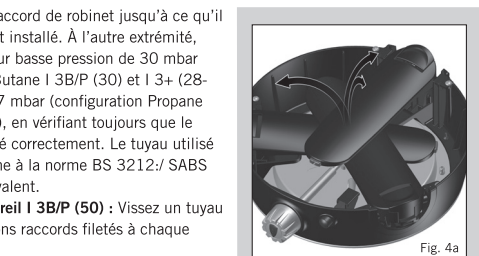


Fig. 4a

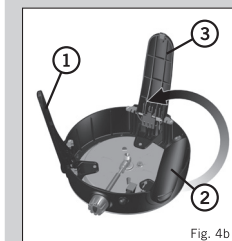


Fig. 4b



Fig. 4c

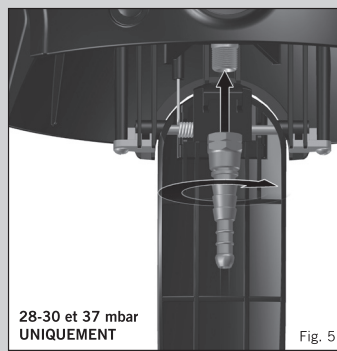
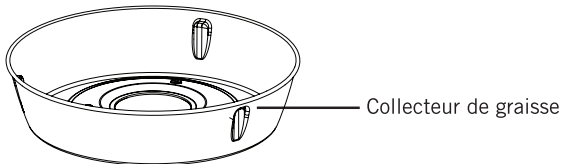
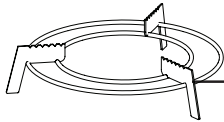
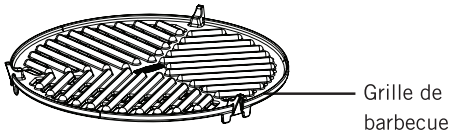
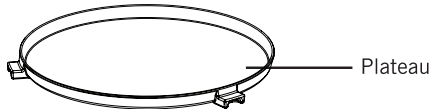
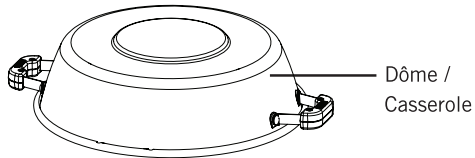


Fig. 5

4. Liste de composants

Safari Chef 2 - Basse Pression



Brûleur

Plaque de protection thermique

Bride de libération du pied

Bouton de réglage

Allumeur piézo (6540L1 UNIQUEMENT)

Pied

Embout de pied en caoutchouc

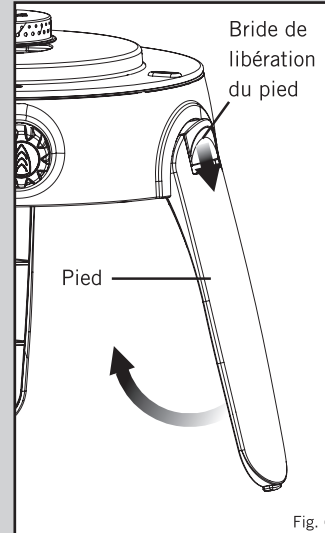


Fig. 7

5. Installation et remplacement du tuyau et de la bouteille de gaz

- Avant de raccorder le détendeur à la bouteille de gaz, assurez-vous que le joint est présent et en bon état sur le régulateur. Cela doit être effectué à chaque connexion.
- Veiller à installer ou à remplacer la bouteille de gaz à l'extérieur et à l'écart d'autres personnes, loin de toute source potentielle d'incendie, telles que des flammes nues ou des cheminées électriques.
- S'assurer que la bouteille de gaz est bien en position verticale et visser à fond le détendeur sur la bouteille. Ne pas serrer de façon excessive.
- En cas de présence d'une fuite sur l'appareil (odeur de gaz), le placer immédiatement dans un lieu dépourvu de toute flamme libre, afin de pouvoir détecter et stopper la fuite. Si vous souhaitez rechercher des fuites sur votre appareil, faites-le à l'extérieur, à l'aide d'eau savonneuse uniquement, qui sera appliquée sur les joints. La formation de bulles indique la fuite de gaz.
- Vérifiez que tous les branchements sont bien serrés et faites une nouvelle vérification avec de l'eau savonneuse. Si vous ne pouvez pas corriger la fuite de gaz, n'utilisez pas l'appareil. Contactez votre fournisseur CADAC local pour obtenir de l'aide.
- Lors du remplacement de la bouteille de gaz, fermer le robinet de la bouteille et le robinet de l'appareil (voir fig. 1 et 2). Assurez-vous que la flamme est éteinte et dévissez le détendeur. Remonter une bouteille de gaz pleine en suivant les mêmes précautions que celles décrites ci-dessus.

6. Utilisation de l'appareil

- Cet appareil doit être utilisé uniquement à l'extérieur !
- Pour des performances optimales, veiller à protéger l'appareil du vent lors de son utilisation.
- Ne pas déplacer l'appareil lorsqu'il est chaud. Il est recommandé d'utiliser des gants de protection.
- ATTENTION : Certaines pièces accessibles peuvent être très chaudes. Tenez les jeunes enfants à l'écart de l'appareil.
- Laisser l'appareil refroidir avant de le ranger. Une fois le nettoyage effectué, replier l'appareil tel que décrit dans la section 3 ci-dessus.

Placer le Dôme/Casserole au fond du sac.

Placer ensuite le Support du dôme à l'envers, à l'intérieur du Dôme.

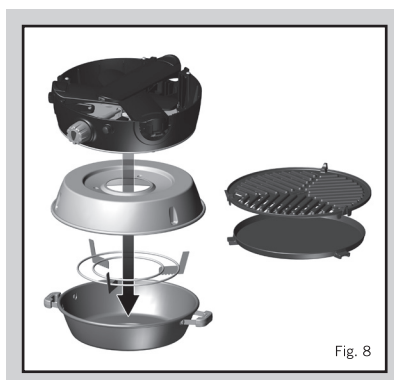
Placer le Collecteur de graisse au-dessus du Dôme et du Support de dôme retourné.

Placer ensuite l'appareil à l'envers, sur le Collecteur de graisse.

Ranger la Grille et le Plateau dans leurs compartiments séparés situés dans la partie supérieure du sac, et fermer les fermetures éclair des compartiments.

Rabattre la partie supérieure du sac et fermer la fermeture éclair principale. (Fig. 8)

- Conserver l'appareil dans son Sac de transport en cas de non-utilisation, cela permettra d'éviter que des saletés ou des insectes, pouvant nuire à la circulation du gaz, ne pénètrent à l'intérieur de l'appareil.
- Lors des tentatives d'allumage de l'appareil, vérifier que l'alimentation de la bouteille de gaz est ouverte avant d'allumer l'alimentation en gaz de l'appareil.
- Utilisation du Bouton de réglage
Le Bouton de réglage est équipé de deux positions de butée positives : une à feu bas et l'autre en position d'Allumage/Feu fort. Cela limite le réglage de la flamme entre ces deux points.
Allumage à l'aide de l'Allumeur piézo
- Pour allumer l'appareil à l'aide de l'Allumeur piézo, pousser et tourner le Bouton de réglage dans le sens anti-horaire jusqu'au retentissement d'un clic. Si le gaz ne s'enflamme pas dès la première étincelle, pousser et tourner le Bouton de réglage dans le sens horaire jusqu'à sa butée. Essayer à nouveau, en appuyant et en tournant le Bouton de réglage dans le sens anti-horaire jusqu'au retentissement d'un clic. Si le gaz ne s'est pas enflammé dans les deux ou trois premières secondes, fermer le robinet de réglage en appuyant sur le Bouton de réglage, et en le tournant dans le sens horaire jusqu'à sa butée. Attendre une trentaine de secondes pour laisser le gaz accumulé dans le plateau du brûleur s'évacuer. Répéter le processus décrit ci-dessus si nécessaire jusqu'à ce que la flamme s'allume. La flamme doit normalement s'allumer dans les deux premières secondes.
Allumage à l'aide d'un allume-barbecue
- L'appareil peut être allumé par le haut, avant de poser la surface de cuisson désirée sur le Collecteur de graisse, à l'aide d'un allume-barbecue en augmentant lentement le débit de gaz, en tournant le Bouton de réglage dans le sens anti-horaire.
- Utiliser le Bouton de réglage pour régler l'intensité de la flamme au niveau souhaité, en tournant le bouton dans le sens horaire pour diminuer la flamme et anti-horaire pour augmenter la flamme.
- En cas de non-utilisation, débrancher l'appareil de l'alimentation en gaz.
- **AVERTISSEMENT** : Ne pas utiliser les surfaces de cuisson avec un réglage de flamme élevé pendant plus de 10 minutes, afin d'éviter tout endommagement des revêtements antiadhérents.



7. Options de cuisson

- Il existe quatre options de cuisson disponibles avec l'appareil Safari Chef 2. Ces options sont les suivantes :
Barbecue : Cette option de cuisson est idéale pour les grillades de poulet, de saucisses, de côtelettes, de brochettes, de poissons ou de légumes sans matières grasses. Pour ce type de cuisson, placer le Collecteur de graisse sur la Plaque de protection thermique. Placer la Grille de barbecue sur les supports de positionnement du Collecteur de graisse.
Attention : Il convient de noter que la cuisson d'aliments gras provoque l'écoulement d'un peu de graisse pouvant entraîner l'apparition de flammes. Faire preuve de prudence lors de la manipulation de ces aliments. Les températures de cuisson peuvent facilement être réglées en fonction des exigences, en tournant le Bouton-Robinet de réglage du niveau de chaleur.

Friture : Cette option est idéale pour la cuisson des sautés, des poissons, des breakfasts à l'anglo-saxonne, des crêpes, des crevettes, de la paella et des légumes. Pour ce type de cuisson, placer le Collecteur de graisse sur la Plaque de protection thermique. Placer le Plateau sur les supports de positionnement du Collecteur de graisse. Il convient de noter que ce plat peu profond ne convient pas pour la friture dans une grande quantité d'huile. Sa surface facile à nettoyer permet de limiter au minimum l'utilisation de matières grasses pour une cuisson plus saine.

Four dôme / Wok : Le Dôme peut être utilisé comme un wok, un couvercle pour créer un four sur le barbecue, ou une casserole. Pour la cuisson de type wok, placer le Dôme à l'envers directement sur le Support de dôme et l'utiliser pour préparer des sautés, des plats de pâtes ou une paella. Pour utiliser le Dôme comme un couvercle de Four, le placer au-dessus d'un aliment cuisant sur la grille du barbecue, pour obtenir une cuisson par convection. Cette option est idéale pour rôti du poulet, de l'agneau, du bœuf ou du porc. Le Dôme peut également être utilisé comme une casserole, pour réchauffer les sauces, les marinades, faire bouillir l'eau, faire cuire du riz, des pâtes, etc. Placer le Dôme à l'envers directement sur le Support de dôme.

Ébullition : Pour ce type de cuisson, placer le Support du dôme dans ses rainures de positionnement sur la Plaque de protection thermique, en vérifiant qu'il est bien en place. Placer une casserole adaptée (minimum 150 mm diamètre et maximum 230 mm de diamètre) ou le Dôme Safari Chef 2 sur le Support du dôme. Le Collecteur de graisse est conçu pour être placé sur le Dôme afin d'agir comme un couvercle sur le Dôme pour faire bouillir des aliments. Un litre d'eau mettra environ 6 minutes à bouillir selon les conditions, la taille de la casserole utilisée, etc. Remarque : En cas d'utilisation de casseroles de petite taille, ne pas choisir de casseroles dotées de poignées en plastique.



8. Cleaning

Ensemble barbecue

- Pour nettoyer le Collecteur de graisse, le Plateau de cuisson et la Grille de barbecue, utiliser de l'eau chaude avec un détergent non abrasif après avoir retiré une première fois, l'excédent de graisse laissé après la cuisson.
- Pour nettoyer le Dôme, utiliser de l'eau chaude avec un détergent non abrasif.
- Ne pas utiliser de nettoyant abrasif sur une partie quelconque de l'appareil, car cela pourrait endommager le revêtement de la surface.
- Ces pièces peuvent être parfaitement nettoyées dans le lave-vaisselle en toute sécurité, après avoir retiré l'excédent de graisse de cuisson.

Ensemble brûleur / pieds

- Il est préférable de nettoyer ces éléments à l'aide d'un chiffon doux et humide, et d'un détergent non abrasif doux. Ne pas les placer dans un lave-vaisselle car de l'eau pourrait pénétrer dans les orifices du robinet ou du Brûleur, et entraîner un dysfonctionnement de l'appareil.
- Lors du nettoyage de l'Ensemble brûleur/pieds, il est possible que le retrait du Support du dôme soit nécessaire. Pour ce faire, retirer le Support de dôme de la rainure de positionnement sur la Plaque de protection thermique.

9. Entretien général

- À compter de la date d'achat, la responsabilité du maintien de l'appareil en parfait état revient uniquement à l'utilisateur.
 - Cet appareil ne requiert aucune maintenance planifiée.
 - Après un stockage prolongé, inspecter les trous d'air sous l'unité et l'entrée de la Venturi, et vérifier l'absence d'insectes tels que des araignées, etc., qui pourraient affecter la circulation du gaz. Après vérification, réinstallez tous les éléments dans la position prescrite.
- Remplacement d'un gicleur bloqué :**
- Le Safari Chef 2 est équipé d'un gicleur de taille spécifique pour régler la quantité correcte de gaz.
 - Si le trou du Gicleur venait à se boucher, cela pourrait entraîner une flamme petite ou inexistante. N'essayez pas de nettoyer le Gicleur avec une épingle ou un autre outil de ce type, car cela pourrait endommager l'orifice, rendant l'appareil dangereux.
 - Pour remplacer le gicleur : Retirer le Collecteur de graisse (Fig. 9). Desserrer légèrement l'Ensemble du brûleur (Fig. 10). Retirer les trois vis de la Plaque protection thermique et enlever la Plaque de protection thermique (Fig. 11), en prenant soin de ne pas endommager l'électrode du piézo. Le Gicleur peut être maintenant retiré à l'aide d'une clé adaptée (Fig. 12). N'utilisez pas de pinces sur le gicleur, car cela pourrait l'endommager, et le rendre inutilisable ou impossible à retirer. Vissez le nouveau gicleur dans le robinet. Ne serez pas trop, car cela pourrait endommager le gicleur.
 - Exécuter la procédure ci-dessus dans l'ordre inverse pour remonter l'ensemble.
- Remplacement du tuyau :**
- L'installation d'un tuyau est décrite à la Section 5 - Installation et Remplacement du tuyau et de la bouteille de gaz.



Fig. 9



Fig. 10



Fig. 11

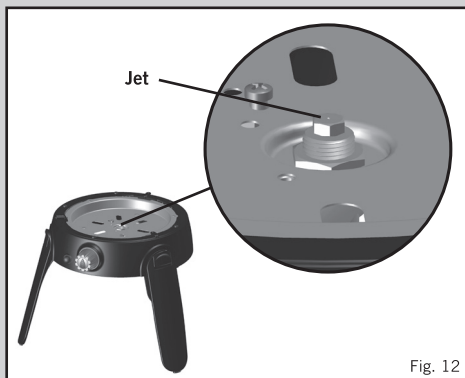


Fig. 12

10. Retour de l'appareil pour service ou réparation

- Ne modifiez pas l'appareil, car cela pourrait être dangereux.
- Si vous ne pouvez pas corriger une défaillance en suivant les présentes instructions, contactez votre distributeur CADAC local pour obtenir des détails sur le retour du produit.
- Le CADAC Safari Chef 2 est garanti par CADAC pendant une période de 2 ans contre les défauts d'usine.

11. Pièces de rechange et accessoires

- Utilisez toujours des pièces CADAC authentiques, car elles ont été conçues pour vous offrir des performances optimales.

Description	Pièce N°	Description	Pièce N°
Gicleur: 0.58mm (28/37mBar)	6540-SP001	Bouton de réglage	6540-SP007
Gicleur: 0.51mm (50mBar)	6540-SP013	Ensemble piézo	6540-SP008
Grille de barbecue	6540-SP002	Pied (droit/gauche)	6540-SP010
Plateau	6540-SP004	Pied (arrière)	6540-SP009
Support de dôme	6540-SP003	Sac de transport	6540-SP006
Ensemble du brûleur	6540-SP005	Dôme	6540-SP011
Collecteur de graisse	6540-SP017	Entretoise en silicone	6540-SP019
Robinet BP	6540-SP016	Ensemble poignée de dôme	6540-SP020

FORSIGTIG

Kun til udendørs brug!



Denne enhed må ikke anvendes på en lukket balkon, veranda eller på et legeområde!

VIGTIGT

Læs denne brugsanvisning grundigt og omhyggeligt igennem for at gøre dig fortrolig med enheden før du forbinder den til gasbeholderen. Gem instruktionerne til fremtidig reference.

1. Generelle informationer

- Denne enhed er konstrueret til udendørs madtilberedning til, især mennesker, der nyder at campere og opholde sig udendørs, men den kan naturligvis også anvendes hjemme på din terrasse.
- Der kan tilberedes forskellige typer mad på enheden. Safari Chef 2 er konstrueret til brug sammen med en lang række tilberedningsoverflader.
- Enheden forsynes med gas via en slange og en regulator (lavtryksmodel) eller forbindes direkte til en engangsbeholder (højtryksmodel). Slange og regulator kan forbindes til gascylindere, en gaspatron eller en CADAC Power Pak 1000, som er en enhed til to gaspatroner. (Ikke inkluderet i enhedens levering.)
- Enheden er nem at tænde og betjene (afsnit 6) og brugeren kan regulere varmeinput med en justerbar ventil.
- Enheden leveres med en praktisk bæretaske.
- Denne enhed overholder EN498:2012 og SANS 1539:2012
- Denne enhed må kun anvendes sammen med godkendt slange og regulator tilkoblet en genopfyldelig cylinder, der overholder gælden lokale regulativer.
- Den genopfyldelige cylinder må kun anvendes i opretstående position.
- Advarsel: Tilgængelige dele kan være meget varme. Hold børn på afstand af enheden.
- Gasenheder har brug for ventilation for at kunne fungere effektivt og for at sikre bruger og andre tilstedeværende personers sikkerhed, og enheden må derfor ikke anvendes i uventilerede områder. Enheden er alene beregnet til udendørs anvendelse.
- Læs denne brugsanvisning grundigt og omhyggelig igennem før enheden tages i brug.

Brug kun udendørs!

6540L0, 6540L1					
Brugsland	BE, CH, CY, CZ, ES, FR, GB, GR, IE, IT, LT, LU, LV, PT, SK & SI	PL	BE, CY, DK, EE, FR, FI, HU, IT, LT, NL, NO, SE, SI, SK, RO, HR, TR, BG, IS, LU, MT, & ZA	AT, CH, DE & SK	
Enheds kategorier	I ₃₊ (28/30/37)	I _{3B/P} (37)	I _{3B/P} (30)	I _{3B/P} (50)	
Tilladte gasarter	Butan	Propan	Butan, propan eller en blanding heraf		
Gastryk	28-30mBar	37mBar	37mBar	28-30mBar (2,8 kPa for Sydafrika)	50mBar
Dysenummer	0.58			0.51	
Beregnet forbrug	110g/hr	119 g/hr	110g/hr	110 g/hr	
Brutto, beregnet varmeinput	1.5kW	1.63 kW	1.5kW	1.5 kW	

Land og forkortelser				
AE = United Arab Emirates	AL = Albania	AT = Austria	BE = Belgium	CH = Switzerland
CZ = Czech Republic	DE = Germany	DK = Denmark	ES = Spain	FI = Finland
FR = France	GB = United Kingdom	GR = Greece	HR = Croatia	IT = Italy
JP = Japan	KR = Korea	NL = Netherlands	NO = Norway	PL = Poland
PT = Portugal	RO = Romania	RU = Russia	RS = Serbia	SI = Slovenia
SK = Slovakia	SE = Sweden	TR = Turkey	ZA = South Africa	

2. Sikkerhedsinformation

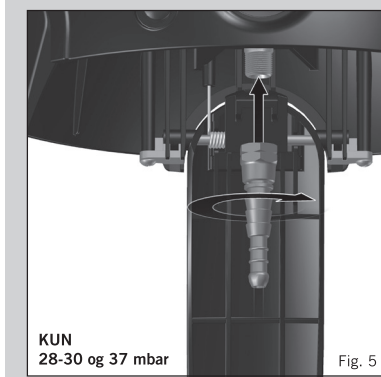
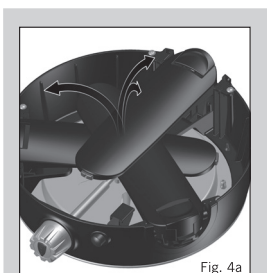
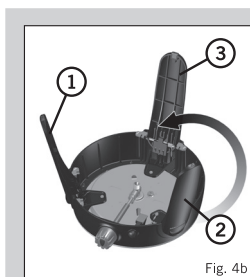
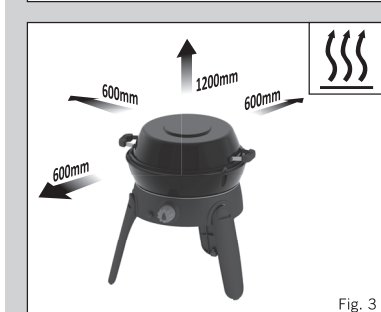
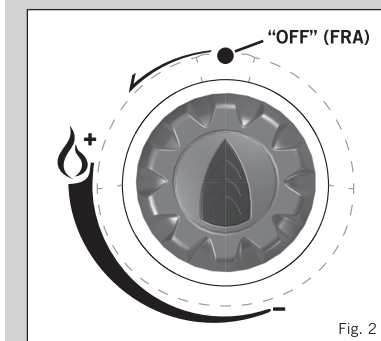
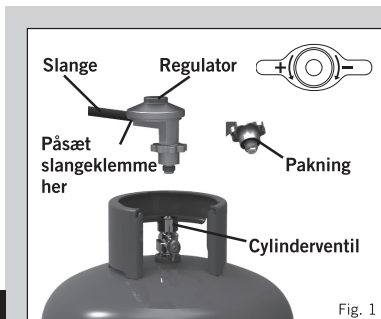
- Flyt ikke enheden mens den er i brug.
- Sluk for gastilførslen på gascylindere efter brug.
- Slangen skal tjekkes for slitage og skader før hver brug og før den tilsluttes gasbeholderen.
- Anvend ikke enheden, hvis slangen er beskadiget eller slidt. Udskift slangen.
- Anvend ikke enheden, hvis den lækker, er beskadiget eller den ikke fungerer upåklageligt.
- Sørg for at enheden er tilstrækkeligt langt fra antændelige materialer under brug. Minimum sikkerhedsafstande er: Over enheden 1,2 m. Bagved og ved siderne 600 mm. (Se fig. 3)
- Sørg for at gasbeholderen påsættes eller udskiftes udendørs, borte fra antændingskilder som åbne flammer, vågeblus eller elektrisk antænding samt borte fra andre mennesker.
- Hold gasbeholdere borte fra varme og åben ild. Placér ikke på komfur eller anden varm overflade.
- Sørg for at den samlede enhed er stabil og ikke vipper.
- I tilfælde af tilbagetænding (hvor flammen brænder tilbage og antænder ved dysen), sluk omgående for gastilførslen ved at lukke for styringsventilerne, først på gasbeholderen og derefter på enhedens ventil. Efter at flammen er gået ud, fjernes regulatoren og forseglings tilstand tjekkes. Udskift forseglingen i tvivlstilfælde. Tænd enheden igen, som beskrevet i afsnit 6 nedenfor. Hvis flammen bliver ved med at tilbagetænde, returneres produktet til det nærmeste autoriserede CADAC serviceværksted.

2. Sikkerhedsinformation (fortsat)

- Hvis der er en lækage på din enhed (lugt af gas), skal du omgående lukke for cylinderventilen og flytte enheden til en flammefri plads, hvor lækagen kan findes og stoppes. Kontrol for lækager bør udføres udendørs. Forsøg ikke at finde lækager med åben ild, brug sæbevand.
- Den korrekte fremgangsmåde til dette er at smøre samlingerne, f.eks. hvor stammen er samlet med cylinderen, med lidt sæbevand.
- Hvis der dannes bobler, er der en gaslækage. Sluk omgående fro gastilførslen ved at lukke for styringsventilen på gasbeholderen og derefter for styringsventilen på enheden. Kontroller at alle forbindelser sidder godt og tæt fast. Tjek igen med sæbevand.
- Hvis en gaslækage fortsætter, returneres produktet til den CADAC-forhandler til eftersyn/repairation
- **Brug kun udendørs.**

3. Samleanvisning

- **ADVARSEL:** Benene er fjederbetjente. Åbning og lukning af benene skal ske forsigtigt for at undgå personkvæstelser eller beskadigelse af din Safari Chef 2.
- For at åbne benene, vendes enheden på hovedet og benene holdes fast mens hvert ben trækkes ud individuelt. Du vil kunne høre et "klik" når benene sidder korrekt.
- For at kunne folde benene tilbage på en sikker måde, holdes benet fast mens positionens klamme trykkes ned. Derefter skubbes benene indad til lukket position (fig. 6). Dette skal gøres i følgende rækkefølge for at optimere pladsen. Først det forreste ben til højre (1), derefter det forreste ben til venstre (2) og til sidst det bagerste ben (3) (Fig. 4b).
- Før gasforsyningen kobles til, skal du først sørge for at enhedens ventil står på OFF (FRA) ved at dreje styringsknoppen hele vejen med uret (se fig. 2).
- **I 3B/P (30) og I 3+ (28-30/37) Enhedskategorier:** Sæt ventilens halestykke på ventilen (fig.5) ved at skruet det på imod urets retning. Skub en slange med en indvendig diameter på 8 mm på ventilens halestykke indtil den sidder godt fast. På den anden ende påsættes en passende 30 mbar lavtryksregulator (I 3B/P (30) og I 3+ (28-30/37) butankonfiguration) eller en 37 mbar lavtryksregulator (I 3+ (28-30/37) propankonfiguration), idet det skal sikres at slangen sidder godt fast. Den anvendte slange skal overholde BS 3212:1991 / SABS 1156-2 eller tilsvarende.
- **I 3B/P (50) enhedskategori:** Skru en slange med det rigtige gevind på hver ende, på det venstre 1/4" BSP gevind på ventilen. Fastgør en passende 50 mbar lavtryksregulator på slangens anden ende. Slangen skal være i overensstemmelse med DIN 4815 del 2 eller lignende.
- **Bemærk:** Slange og regulator leveres ikke sammen med Safari Chef 2. For detaljer, kontakt din lokale forhandler.
- Slangens længde bør ikke være under 800 mm lang og må ikke overstige 1,5 m. Tjek udløbsdato på slangen og udskift efter behov eller når de nationale betingelser foreskriver det. Sno og buk ikke slangen.
- **Din enhed er nu klar til brug.**



4. Liste over komponenter

Safari Chef 2 - lavtryk

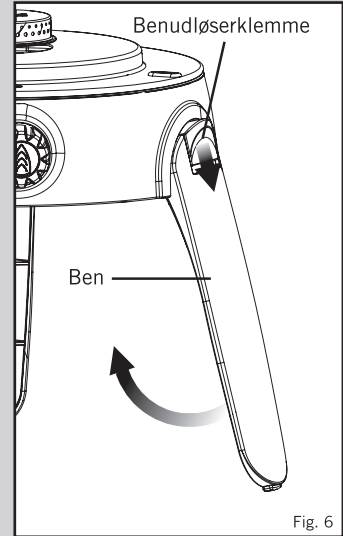
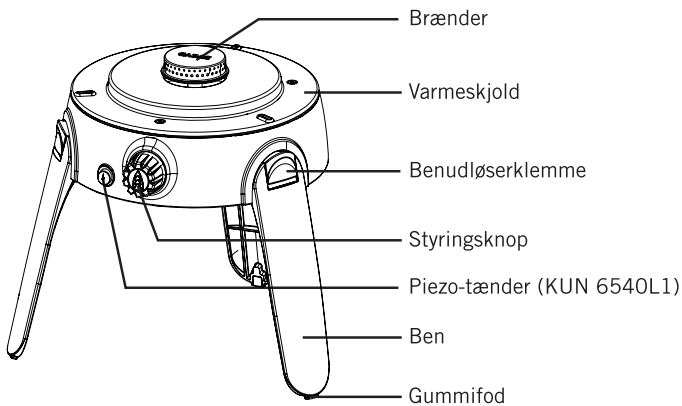
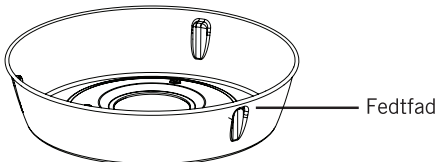
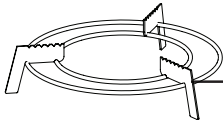
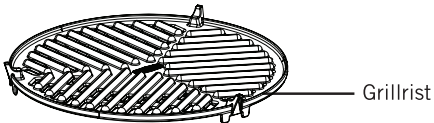
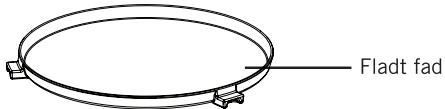
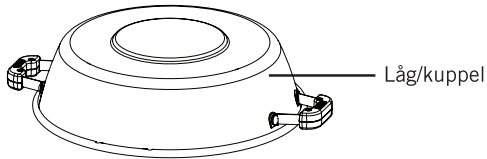


Fig. 7

5. Påsætning og udskiftning af slange og gascylinder

- Før regulatoren sættes på en gasbeholder, skal det sikres at forseglingen på regulatoren sidder, som den skal, og er i en god tilstand. Dette skal tjekkes hver gang den forbindes.
- Sørg for at gasbeholderen påsættes eller udskiftes udendørs, borte fra antændingskilder som åbne flammer eller elektrisk antænding samt borte fra andre mennesker.
- Sørg for at gasbeholderen holdes i opretstående position, skru regulatoren på gasbeholderen til den sidder godt fast. Overstram ikke.
- Hvis der er en lækage på din enhed (lugt af gas), skal du omgående flytte den til en flammefri plads, hvor lækagen kan findes og stoppes. Kontrol for lækager bør udføres udendørs og kun med sæbevand, der påsmøres samlingerne. Hvis der dannes bobler, er det tegn på gaslækage.
- Kontroller at alle forbindelser sidder godt og tæt fast og tjek igen med sæbevand. Hvis det ikke er muligt at finde gaslækagen, må enheden ikke anvendes. Kontakt din lokale CADAC-forhandler for assistance.
- Ved udskiftning af en gasbeholder lukkes først cylinderventilen og derefter enhedsventilen (se fig. 1 og 2). Idet det sikres at flammerne er slukkede, skrues regulatoren af. Påsæt en fuld gasbeholder under iagttagelse af de samme forholdsregler som beskrevet ovenfor.

6. Brug af enheden

- Enheden må kun anvendes udendørs!
- Under brug skal enheden beskyttes mod vind for optimal ydelse.
- Flyt ikke enheden mens den er varm. Det anbefales at anvende varmebeskyttende handsker.
- **FORSIGTIG:** Tilgængelige dele kan blive meget varme. Hold børn borte fra enheden.
- Lad enheden køle af før du pakker den ned. Efter rengøring: Fold enheden sammen som beskrevet i afsnit 3 ovenfor. Placér fad / kuppel i bunden af tasken. Placér derefter grydeholderen på fadet med bunden i vejret. Placér fedtfadet over fad og grydeholder med bunden i vejret. Placér derefter enheden med bunden i vejret over fedtfadet. Placér rist og det flade fad i deres respektive holdere i taskens og luk med lynlåsen. Fold taskens låg ind over resten af tasken og luk med lynlåsen. (Fig. 8)
- Opbevar enheden i opbevaringstasken, når den ikke er i brug, da dette vil forhindre indtrængen af snavs og insekter, der kan lukke for gasforsyningen.
- Når enheden forsøges tændt, skal det sikres at gasforsyningen fra cylinderen er åben før der tændes for gasforsyningen på selve enheden.
- Brug af styringsknop
Styringsknoppen er udstyret med to positive stoppositioner, en til lav og en til tænd/høj. Dette begrænser flammejusteringen til inden for disse to punkter.
Tænding og anvendelse af piezo-tænder
- For at tænde enheden med piezo-tænder, trykkes styringsknoppen ind og drejes mod uret indtil der høres et klik. Hvis gassen ikke antændes i første forsøg, trykkes styringsknoppen ind igen og drejes hele vejen med uret. Prøv igen ved at trykke og dreje styringsknoppen mod uret indtil der høres et klik. Hvis gassen ikke antænder inden for de første to - tre sekunder bør kontrolventilen lukkes ved at trykke styringsknoppen ind og dreje den helt med uret. Vent ca. tredive sekunder for at lade evt. ansamlet gas i brænderfadet fordampe. Gentag ovenstående proces - om nødvendigt indtil gassen antændes. Gassen vil normalt blive antændt inden for de første et til to sekunder.
- Tænding ved hjælp af en grill-tænder
- Enheden kan tændes fra toppen før den ønskede tilberedningsflade påsættes fedtfadet ved at anvende en grill-tænder mens gasgennemstrømningen langsomt øges ved at dreje styringsknoppen mod uret.
- Brug styringsknoppen til at justere flammeintensiteten til det ønskede niveau ved at dreje knoppen med uret for at sænke flammen og mod uret for at øge den.
- Når den ikke er i brug, frakobles enheden gasforsyningen.
- **ADVARSEL:** Anvend aldrig en tilberedningsflade på høj flammeindstilling længere end 10 minutter ad gangen, da det kan beskadige non-stick-belægningerne.



7. Tilberedningsmuligheder

- Du har fire tilberedningsmuligheder med din Safari Chef 2 grill. Disse er:
Grilning: Denne mulighed er velegnet til fedtfri grilning af kylling, pølser, koteletter, kebab, fisk og grøntsager. Til denne type tilberedning placeres fedtfadet på varmeskjoldet. Sæt grillristen på fedtfadets holdere.
Forsigtig: Bemærk venligst at når du tilbereder fede kødstykker, vil der dryppe fedt ned på enheden, hvilket kan forårsage opflamning. Udvis forsigtighed når du tilbereder sådanne kødstykker. Tilberedningstemperaturen kan nemt reguleres til at passe til dine behov ved at dreje ventilknoppen til regulering af varmen.

Stegning: Denne tilberedningsmulighed egner sig bedst til stegeretter, fisk, morgenmad, pandekager, rejer, paella og grøntsager. Til denne type tilberedning placeres fedtfadet på varmeskjoldet. Placer det flade fad på fedtfadets holdere. Bemærk venligst at eftersom der er tale om et lavt tilberedningsfad, er det ikke velegnet til friturestegning. Den rengøringsnemme overflade taler for minimal anvendelse af fedtstof til sundere madlavning.

Ovnkuppel/ wok: Kuplen kan anvendes som wok, et låg til at omdanne din grill til en ovn eller sovsgrøden. Til tilberedning af wokmad placeres kuplen med bunden i vejret direkte på grydeholderen og kan anvendes til stegeretter, pastaretter eller paella. For at bruge kuplen som ovnlåg, placeres den over et måltid under tilberedning på grill-muligheden for konvektionstilberedning. Dette er ideelt til stegning af kylling, lam, oksekød eller svinekød. Kuplen kan desuden anvendes som sovsgrøde, til opvarmning af sovs, marinering, kogning af vand, kogning af ris, pasta etc. Placer kuplen med bunden i vejret direkte på grydeholderen.

Kogning: Til denne type tilberedning placeres grydeholderen i sine holderfordybninger på varmeskjoldet, idet det sikres at den sidder godt fast. Placer en passende gryde (ikke mindre end 150 mm i diameter og ikke mere end 230 mm i diameter) eller Safari Chef 2 kuplen på grydeholderen. Fedtfadet er beregnet til at blive placeret på kuplen og udgøre kuplens låg ved kogning af vand. Det vil tage ca. 6 minutter for at bringe en liter vand i kog, afhængigt af betingelserne, grydestørrelse etc. Bemærk: Når der anvendes gryder i små størrelser, må disse ikke være forsynet med plastikhåndtag.



8. Rengøring

Grill-enhed

- Til rengøring af fedtfad, det flade fad og grillristen, vaskes disse i varmt vand tilsat et ikke-slibende rengøringsmiddel efter at overskydende fedt er tørret af efter brug.
- Til rengøring af kuplen anvendes varmt vand med ikke-slibende rengøringsmiddel.
- Brug ikke slibende rengøringsmidler på nogen del af enheden, da det vil beskadige overfladebelægningen.
- Disse dele kan vaskes i opvaskemaskine efter at overskydende fedt er tørret af.

Body / ben

- Rengøres bedst ved hjælp af en blød, fugtig klud og et mildt, ikke-slibende rengøringsmiddel. Må ikke vaskes i opvaskemaskine, da dette kan betyde at der kommer vand ind i ventiler og brænderporte, hvilket vil kunne betyde at enheden ikke fungerer korrekt.
- Når body/ben rengøres skal grydeholderen evt. fjernes. Dette kan gøres ved at løfte grydeholderen ud af dens holdere på varmeskjoldet.

9. Generel vedligeholdelse

- Enhedens rengøring er alene brugerens eksklusive ansvar efter købsdatoen.
- Denne enhed kræver ikke regelmæssig vedligeholdelse.
- Efter længere tids opbevaring undersøges ventilationshullerne under enhed og venturiindtag for insekter som edderkopper etc. som ville kunne påvirke gasgennemstrømningen. Efter tjek, sættes alle komponenter igen på plads på deres foreskrevne positioner.
- *Udskiftning af tilstoppet dysse:*
- Din Safari Chef 2 er monteret med dyser af en specifik størrelse for at kunne regulere til korrekt mængde gas.
- Hvis hullet i dysen bliver blokeret, kan det medføre mindre flamme eller slet ingen flamme. Forsøg ikke at rengøre dysen med en nål eller lignende, da det kan beskadige åbningen og gøre enheden farlig.
- Sådan udskiftes dysen: Fjern fedtfadet (fig. 9). Skru forsigtigt brænderanordningen af (fig. 10). Fjern de tre skruer fra varmeskjoldets plade og fjern varmeskjoldet (fig. 11), idet det sikres at piezoelektroden ikke beskadiges. Dysen kan nu fjernes med en passende tang (fig. 12). Brug ikke tænger på dysen, da det vil kunne beskadige dysen og gøre den ubrugelig eller umuligt at fjerne. Skru den nye dysse på ventilen. Overspænd ikke, da dette vil kunne beskadige dysen.
- Gå frem i omvendt rækkefølge for at samle enheden igen.
- *Udskiftning af slange:*
- Påsætning af en slange beskrives i afsnit 5 - Påsætning og udskiftning af slange og gascylinder.



Fig. 9



Fig. 10



Fig. 11

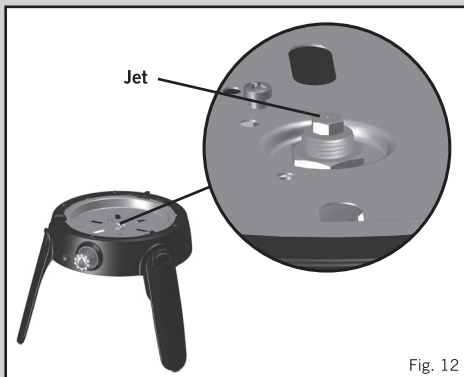


Fig. 12

10. Returnering af enheden til reparation eller service

- Foretag ikke ændringer på enheden, da det kan være farligt.
- Hvis du ikke kan udbedre en fejl ved at følge disse instruktioner, skal du kontakte din lokale CADAC-forhandler for detaljer om, hvordan du returnerer produktet til eftersyn.
- Din CADAC Safari Chef 2 er garanteret fri for fabriksfejl fra CADAC i en periode på 2.

11. Reservedele og tilbehør

- Anvend altid kun originale CADAC reservedele, da de er designet til at yde optimalt ydelse.

Beskrivelse	Del nr.	Beskrivelse	Del nr.
Dyse: 0.58mm (28/37mBar)	6540-SPO01	Styringsknop	6540-SPO07
Dyse: 0.51mm (50mBar)	6540-SP013	Piezo-anordning	6540-SP008
Grillrist	6540-SPO02	Ben (venstre/højre)	6540-SP010
Fladt fad	6540-SPO04	Ben (bag)	6540-SP009
Grydeholder	6540-SPO03	Bæretaske	6540-SP006
Brænderanordning	6540-SPO05	Kuppel	6540-SP011
Fedtfad	6540-SP017	Silikone-afstande	6540-SP019
Lavtryksventil	6540-SP016	Kuppel håndtagsanordning	6540-SP020

FORSIKTIG Kun til utomhus bruk!



Denne enhet må ikke anvendes på en lukket balkong, veranda eller på et lekeområde!

VIKTIG

Les disse instruksjonene nøye slik at du kan gjøre deg kjent med apparatet før du kobler det til den tilhørende gassbeholderen. Gem instruksjonene til fremtidig referanse.

1. Generell informasjon

- Dette apparatet er designet for bruk til utendørs matlaging, spesielt for folk som drar på camping for å nyte utendørslivet og det kan også brukes hjemme på din egen terrasse.
- Et variert utvalg av mat kan tilberedes på dette apparatet. Safari Chef 2 er designet for bruk på tilberedningsflater.
- Gass tilføres enheten via en slange og en regulator (modell for lavt trykk) eller kobles direkte til en engangspatron (modell for høyt trykk). Slangen og regulatoren kan kobles til en gassylinder, en gasspatron, eller en CADAC Power Pak 1000 som er en enhet som har plass til to gasspatroner. (Følger ikke med apparatet.)
- Enheten er lett å slå på, og å betjene (Avsnitt 6) og brukeren kan kontrollere varmetilførselen med en justerbar ventil.
- Enheten leveres med en praktisk bærebag.
- Denne enhet overholder EN498:2012 og SANS 1539:2012

- Dette apparatet kan kun benyttes med en godkjent slange og regulator tilkoblet en påfyllbar sylinder som er i samsvar med de gjeldende lokale bestemmelsene.
- Den påfyllbare sylindern skal kun brukes i en lodrett posisjon.
- Advarsel: Tilbehørsdelene kan bli svært varme. Hold små barn vekke fra apparatet.
- Gassapparater har behov for ventilasjon dersom de skal fungere effektivt og for trykkgghet for brukerne og andre personer i umiddelbar nærhet. Bruk derfor ikke apparatet på et uventilert område. Det er kun ment for utendørs bruk.
- Les disse instruksjonene nøye før du bruker apparatet.
- **Bruk kun utomhus!**

6540L0, 6540L1				
Gjelder for bruk i følgende land	BE, CH, CY, CZ, ES, FR, GB, GR, IE, IT, LT, LU, LV, PT, SK & SI	PL	BE, CY, DK, EE, FR, FI, HU, IT, LT, NL, NO, SE, SI, SK, RO, HR, TR, BG, IS, LU, MT, & ZA	AT, CH, DE & SK
Enhetskategorier	I ₃₊ (28-30/37)	I _{3B/P} (37)	I _{3B/P} (30)	I _{3B/P} (50)
Gasser som er tillatt	Butan	Propan	Butan, Propan eller en blanding av dem	
Gasstrykk	28-30mBar	37mBar	37mBar	28-30mBar (2,8 kPa for Sør-Afrika) 50mBar
Munnstykke nr	0.58			0.51
Kalkulert forbruk	110g/hr	119 g/hr	110g/hr	110 g/hr
Brutto nominell varmetilførsel	1.5kW	1.63 kW	1.5kW	1.5 kW

Navn på land og forkortelser				
AE = United Arab Emirates	AL = Albania	AT = Austria	BE = Belgium	CH = Switzerland
CZ = Czech Republic	DE = Germany	DK = Denmark	ES = Spain	FI = Finland
FR = France	GB = United Kingdom	GR = Greece	HR = Croatia	IT = Italy
JP = Japan	KR = Korea	NL = Netherlands	NO = Norway	PL = Poland
PT = Portugal	RO = Romania	RU = Russia	RS = Serbia	SI = Slovenia
SK = Slovakia	SE = Sweden	TR = Turkey	ZA = South Africa	

2. Informasjon som gjelder sikkerhet

- Ikke flytt på apparatet mens det er i bruk.
- Skru av gasstilførselen på gassylindern etter bruk.
- Slangen skal sjekkes for slitasje og skader innen hver bruk og innen den tilsluttes gassbeholderen.
- Anvend ikke enheten, om slangen er beskadiget eller slitt. Skift ut slangen.
- Anvend ikke enheten, om den lekker, er beskadiget eller den ikke fungerer upåklagelig.
- Sørg for at enheten er tilstrekkelig langt ifra antennelige materialer under bruk. Minimum sikkerhetsavstand er: Over enheten 1,2 m. Bakved og på siderne 600 mm. (Se fig. 3)
- Sørg for at gassbeholderen kobles til eller byttes ut utendørs, borte fra antenningsskilder som nakne flammer, tennere, elektriske ildsteder og med god avstand til andre personer.
- Hold gassbeholdere borte fra varme og åpen ild. Sett ikke på komfur eller anden varm overflate.
- Sørg for at det monterte produktet er stabilt og at det ikke krenger.
- Dersom flammen går tilbake (når flammen brenner tilbake og antenner ved munnstykket), skal gasstilførselen straks stoppes ved at kontrollventilen på gassbeholderen stenges og deretter apparatventilen. Etter at flammen er gått ut, fjernes regulatoren og pakkingens tilstand sjekkes. Skift ut pakkingen i tilsvarende tilfelle. Tenn på enheten igjen, som beskrevet i avsnitt 6 nedfor. Om flammen blir ved å tilbaketenne, returneres produktet til det nærmeste autoriserte CADAC serviceverksted.

2. Informasjon som gjelder sikkerhet (fortsettelse følger)

- Dersom det er en lekkasje i apparatet ditt (gasslukt), lukker du sylinderventilen straks og flytter det til et flammefritt sted hvor lekkasjen kan lokaliseres og stoppes. Kontroll for lekkasjer bør uttinenes utomhus. Forsøk ikke å finne lekkasjer med åpen ild, bruk såpevann.
- Den korrekte måten er å smøre inn leddene, for eksempel der hvor stetten settes inn i sylinderen, med såpevann.
- Dersom det dannes seg bobler, er der en gasslekkasje. Skru straks av gasstilførselen ved å lukke kontrollventilen på gassbeholderen og deretter ventilen på apparatet. Kontroller at alle forbindelser sitter godt og tett. Sjekk igjen med såpevann.
- Om en gasslekkasje fortsetter, returneres produktet til din CADAC-forhandler til ettersyn / reparasjon.
- **Bruk kun utomhus.**

3. Samleanvisning

- **ADVARSEL:** Beina er forsynt med en fjærmekanisme. Utfelling og tilbakeføring av beina må utføres på en kontrollert måte for å unngå personskade eller skade på Safari Chef 2.
- For å brette ut beina snur du enheten opp-ned og holder beina nede mens du løfter hvert bein opp hver for seg. Du vil høre et "klikk" dersom beinet/beina er kommet korrekt på plass.
- For å klike beina på plass igjen, holder du beinet stødig og trykker beinas utløsningsklemme ned. Trykk så beina innover til lukkeposisjonen (Fig. 6). Dette må gjøres fortløpende for å optimalisere plassen. Først det høyre fremre beinet (1), så det venstre fremre beinet (2), og til slutt det bakre beinet (3) (Fig. 4b).
- Før du kobler til gasstilførselen, bør du først sjekke at apparatets ventil er i av-posisjon ved å vri kontrollknappen med urviserne til den stopper (Se Fig. 2).
- **I 3B/P (30) og I 3+ (28-30/37) Apparatkategorier:** Sæt ventilens halestykke på ventilen (fig.5) ved å skru det på imot urets retning. Skubb en slange med en innvendig diameter på 8 mm på ventilens halestykke inntil den sitter godt fast. På den andre enden festes en egnet 30 mbar lavtrykksregulator (I 3B/P (30) og I 3+ (28-30/37) butankonfigurasjoner) eller 37 mbar lavtrykksregulator (I 3+ (28-30/37) propankonfigurasjon), og pass nok en gang for at slangen er satt skikkelig på plass. Slangen som benyttes må være i samsvar med BS 3212:1991 / SABS 1156-2 eller tilsvarende.
- **I 3B/P (50) Apparatkategori:** Skru en slange med det riktige gevinn på hver ende, på det venstre 1/4" BSP gevinn på ventilen. Fastgjør en passende 50 mbar lavtrykksregulator på slangens anden ende. Slangen skal være i overensstemmelse med DIN 4815 del 2 eller liknende.
- **Mrk:** Slangen og regulatoren følger ikke med Safari Chef 2. For informasjon om dette, kan du kontakte din lokale forhandler.
- Slangens lengde bør ikke være under 800 mm lang og må ikke overstige 1,5 m. Sjekk utløpsdato for slangen og skift ut etter behov eller når de nasjonale betingelser foreskriver det. Snu og bukk ikke slangen.
- Apparatet ditt er nå klart til bruk.

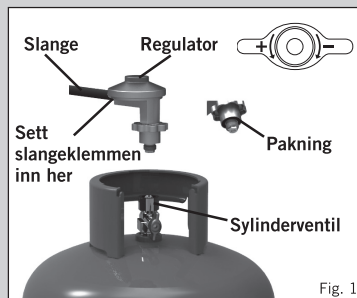


Fig. 1

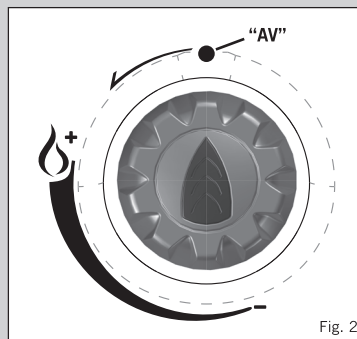


Fig. 2

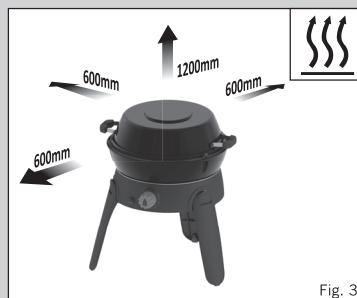


Fig. 3

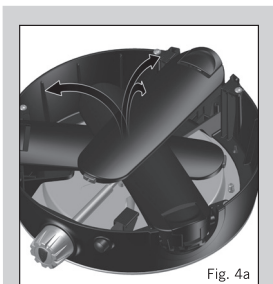


Fig. 4a

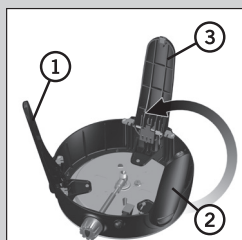


Fig. 4b



Fig. 4c

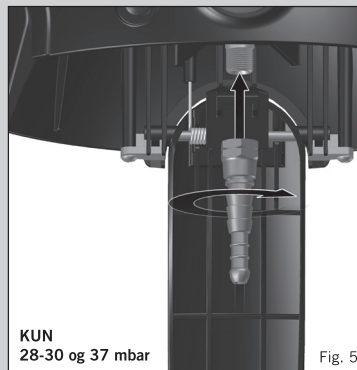


Fig. 5

4. Deleliste

Safari Chef 2 – Lavt trykk

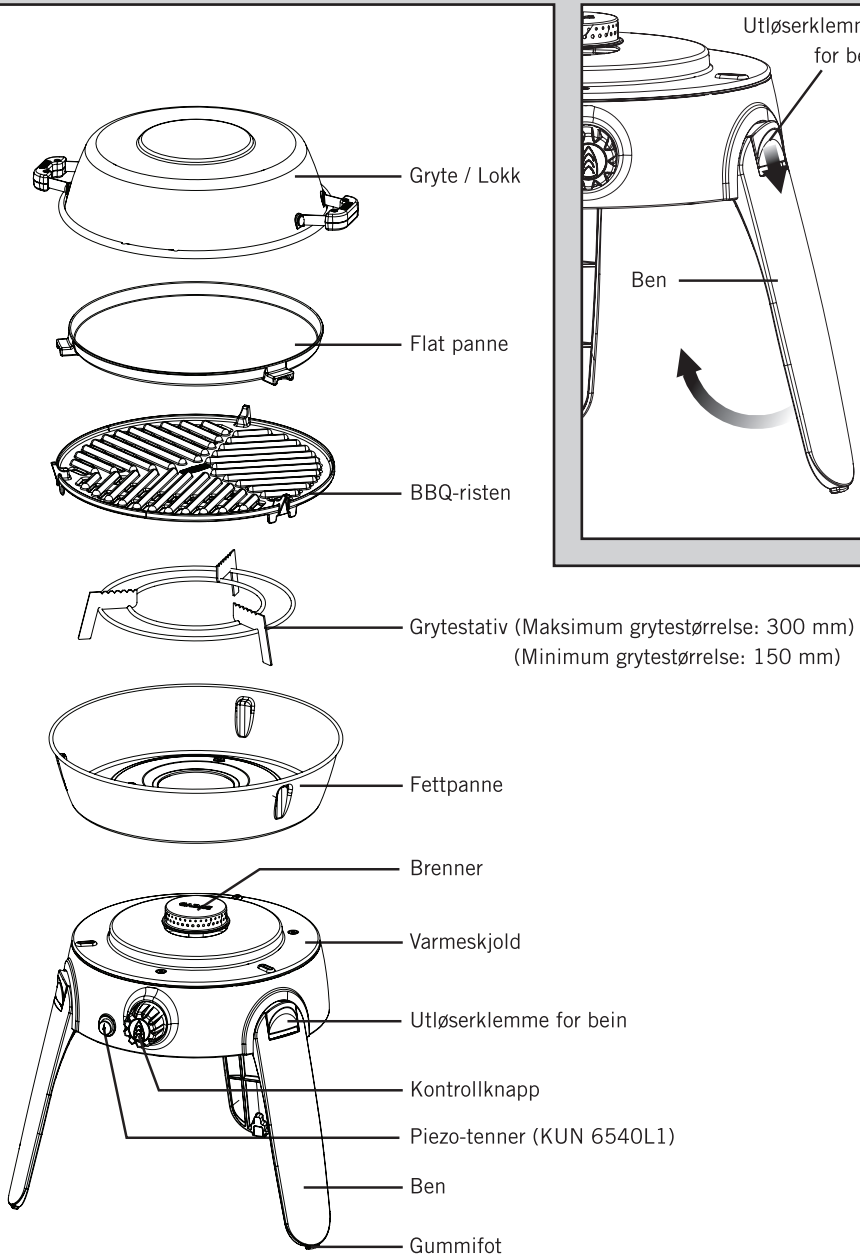


Fig. 6

Fig. 7

5. Tilkobling og bytting av slange og Gassylinder

- Innen regulatoren settes på en gassbeholder, skal det sikres at pakkingen på regulatoren sitter, som den skal, og er i god stand. Dette skal sjekkes hver gang den forbindes.
- Sørg for at gassbeholderen blir tilkoblet eller byttet utendørs, borte fra enhver antenningskilde, som f.eks. nakne flammer eller elektriske ildsteder og borte fra andre personer.
- Forsikr deg om at gassbeholderen holdes i loddrett posisjon, skru regulatoren på gassbeholderen til den er koblet helt til. Ikke skru for hardt til.
- Dersom det finnes en lekkasje på apparatet ditt (gasslukt), bør du straks flytte det til et flammefritt område hvor lekkasjen kan lokaliseres og stoppes. Kontroll for lekkasjer bør uttinenes utomhus og berre med såpevann, det påsmøres samlingene. Om det danner sig bobler, er det tegn på gasslekkasje.
- Kontrollere at alle forbindelser sitter godt og tett fast og sjekk igjen med såpevann. Om det ikke er mulig å finne gasslekkasjen, får enheten ikke anvendes. Kontakt din lokale CADAC-forhandler for hjelp.
- Når du skal skifte en gassbeholder, lukker du sylinderventilen og deretter apparatventilen (se fig. 1 og 2). Idet det sikres at flammene er slukkete, skrues regulatoren av. Sett så på en full gassbeholder igjen og følg de samme forsiktighetsreglene som er oppgitt ovenfor.

6. Bruk af enheten

- Dette apparatet er kun for utendørs bruk!
- Når det er i bruk, skal apparatet beskyttes mot vind for å fungere optimalt.
- Flytt ikke på enheten når den er varm. Bruk av beskyttelseshansker anbefales.
- **FORSIKTIG:** Tilbehørsdelene kan bli svært varme. Hold barn borte fra enheten.
- For å pakke enheten vekk, la den bli avkjølt. Etter rengjøring: Slå apparatet sammen som beskrevet i avsnitt 3 ovenfor. Plasser gryten / lokket i bunnen av bagen. Deretter plasseres grytestativet opp-ned, nede i gryten. Plasser fettpannen over gryten og grytestativet opp-ned. Deretter plasseres apparatet opp-ned over fettpannen. Plasser risten og den flate pannen i de separate holderne som finnes i bagens lokk, og lukk dem med glidelås. Legg lokket på bagen, og lukk den med glidelås. (Fig. 8)
- Oppbevar apparatet i bærebagen når det ikke er i bruk, da dette vil forhindre inntrengning av skitt eller insekter som kan påvirke gasstrømmen.
- Når du forsøker å tenne apparatet, må du sørge for at gasstilførselen fra sylindere er åpen før du skrur på gasstilførselen til apparatet.
- Bruk av kontrollknappen
Kontrollknappen er utstyrt med to positive stopposisjoner, en for Lav, og en for Tenn / Høy. Dette begrenser justeringen av flammen til et sted mellom disse to posisjonene.
Tenning ved hjelp av Piezo-tenner
- For å tenne apparatet ved hjelp av piezo-tenneren, trykker du inn og vrir så kontrollknappen mot urviserne til du hører et klikk. Dersom gassen ikke antennes ved første gnist, trykk inn, og vri kontrollknappen med urviserne til den stopper. Prøv igjen ved å trykke inn og vri kontrollknappen mot urviserne til du hører et klikk. Dersom gassen ikke har antent i løpet av de første to til tre sekundene, bør du lukke kontrollventilen ved å trykke kontrollknappen inn, og så dreie den med urviserne til den stopper. Vent så omtrent tretti sekunder for å la eventuell akkumulert gass inne i brennerpannesettet lekke ut. Gjenta prosessen om nødvendig til flammen tennes. Flammen skal under normale forhold tennes innen ett eller to sekunder.
Tenning ved hjelp av BBQ-lighter
- Apparatet kan tennes fra toppen før den ønskede kokeflaten settes oppå fettpannen. Dette gjøres ved hjelp av en BBQ-lighter samtidig som gasstrømmen økes sakte ved å vri kontrollknappen mot urviserne.
- Bruk kontrollknappen for å justere flammens intensitet til ønsket nivå ved å vri knappen med urviserne for å minske flammen og mot urviserne for å la flammen bli større.
- Når apparatet ikke er i bruk, kobles det fra gasstilførselen.
- **ADVARSEL:** Ikke bruk noen kokeflater med høy flamme-innstilling i mer enn 10 minutter da dette kan skade teflonoverflaten.



7. Tilberedningsmuligheter

- Med Safari Chef 2-apparatet kan du tilberede maten på fire forskjellige måter. Disse er:
Barbecuing/Grilling: Denne tilberedningsmåten er ideell for fett-fri grilling av kylling, pølser, koteletter, kebab, fisk eller grønnsaker. Til denne typen tilberedning plasserer du fettpannen på varmeskjoldet. Plasser BBQ-risten opp på posisjonsindikatorene på fettpannen.
Forsiktighetsregel: Husk at når en tilbereder kjøtt med mye fett, så vil noe fett dryppe ned på enheten som kan gi oppflamminger. Husk derfor å være forsiktig når slike typer kjøtt tilberedes. Koketemperaturene kan enkelt justeres slik at passer til dine egne behov ved å dreie ventilknappen for å regulere mengde varme.

Steking: Denne valgmuligheten er ideell for kokket mat, fisk, frokost, pannekaker, reker, pælla og grønnsaker. Til denne typen tilberedning plasserer du fettpannen på varmeskjoldet. Plasser den flate pannen oppå posisjonsindikatorerne på fettpannen. Vær oppmerksom på at ettersom pannen ikke er særlig dyp, så er den ikke egnet for fritering. Overflaten, som er enkel å rengjøre, motiverer til minimum bruk av fett, noe som har helsemessige fordeler.

Ovnslokk / Wok: Lokket kan brukes som en wok, et lokk til å lage en ovn på BBQ-en, eller en kasserolle. For wok-matlagning plasseres lokket opp-ned direkte på grytestativet og brukes så for kokket mat, pastaretter eller pælla. For å bruke lokket som et ovnslokk plasseres lokket over et måltid som tilberedes etter BBQ-måten for indirekte grilling (konveksjon). Denne metoden er ideell for steking av kylling, lam, biff eller svinekjøtt. Lokket kan også benyttes som en kasserolle for oppvarming av sauser, marinader, koke vann, koke ris, pasta, etc. Plasser lokket opp-ned direkte på grytestativet.

Koking: For denne typen matlagning, plasseres grytestativet på sine posisjonsindikatorspor på varmeskjoldet og sørger for at det er ordentlig anbrakt. Plasser en egnet gryte (ikke mindre enn 150 mm i diameter og ikke mer enn 230 mm i diameter) eller lokket til Safari Chef 2 på grytestativet. Fettpannen er designet for å kunne plasseres oppå lokket og fungerer som et lokk på det store lokket til å koke mat. En liter vann vil koke opp etter omkring 6 minutter avhengig av forholdene, størrelsen på gryten som brukes, etc. Mrk: Når du bruker små gryter, er det viktig at de ikke har håndtak av plast.



8. Rengjøring

BBQ-enheten

- For å rengjøre fettpannen, den flate pannen og BBQ-risten vaskes de i varmt vann med et ikke-skurende vaskemiddel etter at eventuelt overflødig fett etter matlagingen er tørket av.
- Rengjøring av det kuleformede lokket kan gjøres i varmt vann med et ikke-skurende vaskemiddel.
- Ikke bruk et skurende rengjøringsmiddel på noen av delene, da dette kan skade overflatebelegget.
- Disse delene er helt trygge å vaske i oppvaskmaskin etter at alt overflødig fett er fjernet.

Hoveddel / Understell

- Dette rengjøres best ved å bruke en bløt, fuktig klut og et mildt vaskemiddel som ikke skurer. Må ikke plasseres i en oppvaskmaskin fordi dette kan medføre at vann kommer inn i ventil- eller brennerdelene, noe som vil føre til at enheten fungerer dårlig.
- Ved rengjøring av hoveddel/understell, kan det bli behov for å fjerne grytestativet. Dette kan gjøres ved å løfte grytestativet ut av posisjonsindikatorsporet i varmeskjoldet.

9. Generell vedlikeholdelse

- Forpliktelsen til å vedlikeholde dette apparatet hviler ene og alene på forbrukeren fra kjøpsdato.
- Denne enhet krever ikke regelmessig vedlikeholdelse.
- Etter lengre tids lagring må luftfullene under enheten og inntaket på venturirøret inspiseres for insekter som edderkopper, etc. som kan påvirke gasstrømmen. Etter sjekk, settes alle komponenter igjen på plass på deres foreskrevne posisjoner.
- *Utskifting av et blokkert munnstykke:*
- Din Safari Chef 2 er utstyrt med et munnstykke som har en spesifikk størrelse for korrekt regulering av gasstrømmen.
- Dersom hullet i munnstykket tilstoppes, kan dette føre til liten flamme eller ingen flamme. Ikke forsøk å rengjøre munnstykket med en nål eller lignende redskap da dette kan skade åpningen, noe som kan gi et utrygt apparat.
- Å skifte ut munnstykket: Fjern fettpannen (Fig. 9). Skru brennerenheten forsiktig løs (Fig. 10). Fjern de tre skruene fra varmeskjoldplaten og fjern varmeskjoldet (Fig. 11), samtidig som du passer på å ikke skade piezo-elektroden. Munnstykket kan nå fjernes ved hjelp av en egnet skiftenøkkel (Fig. 12). Ikke bruk nebbtang på munnstykket da dette kan skade munnstykket og gjøre det ubrukelig eller umulig å fjerne. Skru det nye munnstykket inn på ventilen. Skru ikke for hardt til da dette kan skade munnstykket.
- Gjør ovennevnte prosedyre i omvendt rekkefølge for å sette enheten sammen igjen.
- *Skift ut slange:*
- Påsetting av en slange beskrives i avsnitt 5 - Tilkobling og bytting av slange og Gassylinder



Fig. 9

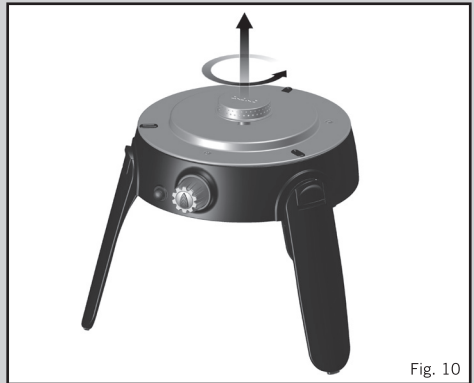


Fig. 10



Fig. 11

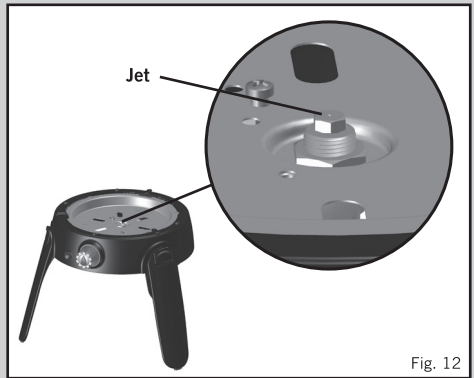


Fig. 12

10. Returnering av enheten til reparasjon eller service.

- Foreta ikke endringer på enheten, fordi det kan være farlig.
- Om du ikke kan utbedre en feil ved å følge disse instruksjoner, skal du kontakte din lokale CADAC-forhandler for detaljer om, hvordan du returnerer produktet til ettersyn.
- Din CADAC Safari Chef 2 har en garantitid fra CADAC på 2 år for fabrikkasjonsfeil.

11. Reservedeler og tilbehør

- Anvend alltid kun originale CADAC reservedeler, fordi de er designet til å gi optimal ytelse.

Beskrivelse	Del nr.	Beskrivelse	Del nr.
Munnst: 0.58mm (28/37mBar)	6540-SP001	Kontrollknapp	6540-SP007
Munnst: 0.51mm (50mBar)	6540-SP013	Piezo-enhet	6540-SP008
BBQ-risten	6540-SP002	Bein (V / H)	6540-SP010
Flat panne	6540-SP004	Bein (Bakre)	6540-SP009
Grytestativ	6540-SP003	Bærebag	6540-SP006
Brennersett	6540-SP005	Lokk	6540-SP011
Fettpanne	6540-SP017	Silikon mellomstykke	6540-SP019
LT-ventil	6540-SP016	Lokkhåndtaksett	6540-SP020

Questo dispositivo non può essere usato su balconi, verande o aree di svago esterne delimitate!

IMPORTANTE

Leggere attentamente queste istruzioni per l'uso, in modo da familiarizzarvi col dispositivo, prima di collegarlo al relativo contenitore del gas. Conservate queste istruzioni per poterle consultare in futuro.

1. Informazioni generali

- Questo dispositivo è stato concepito per essere usato per cucinare all'aperto, e in particolare per persone che vanno in campeggio per godere della vita all'aria aperta, e può essere utilizzato anche a casa, nel vostro patio.
- Su questo dispositivo possono essere preparati vari tipi di pietanze. Il Safari Chef 2 è concepito per utilizzare diverse superfici di cottura.
- Il gas viene fornito al set tramite un tubo e un erogatore (modello a bassa pressione) o si collega direttamente a una cartuccia monouso (modello ad alta pressione). Il tubo e l'erogatore possono collegarsi a una bombola del gas, a una cartuccia di gas, o ad un CADAC Power Pak 1000, che è un set che può contenere due cartucce di gas. (Non forniti con il dispositivo.)
- Il set è facile da accendere e da far funzionare (Sezione 6) e l'utilizzatore può controllare la portata termica con una valvola regolabile.
- Il set è dotato di una pratica borsa da trasporto.
- Questo dispositivo è conforme ai parametri EN498:2012 e SANS 1539:2012
- Questo dispositivo può essere utilizzato solo con un tubo e un erogatore approvati collegati a una bombola ricaricabile in linea con il regolamento locale in vigore.
- La bombola ricaricabile dev'essere usata solo in posizione verticale.
- Avviso: Le parti accessibili possono essere molto calde. Tenete lontani i bambini piccoli.
- I dispositivi a gas richiedono ventilazione, per funzionare efficientemente e garantire la sicurezza degli utilizzatori e di altre persone nelle immediate vicinanze, perciò non usate il dispositivo in una zona non ventilata. È concepito solo per uso esterno.
- Leggete attentamente queste istruzioni, prima di usare il dispositivo.
- Usare solo all'aperto!**

6540L0, 6540L1				
Paese d'uso	BE, CH, CY, CZ, ES, FR, GB, GR, IE, IT, LT, LU, LV, PT, SK & SI	PL	BE, CY, DK, EE, FR, FI, HU, IT, LT, NL, NO, SE, SI, SK, RO, HR, TR, BG, IS, LU, MT, & ZA	AT, CH, DE & SK
Categorie di dispositivi	I _{3+28-30/37}	I _{3B/P (37)}	I _{3B/P (30)}	I _{3B/P (50)}
Gas consentiti	Butano	Propano	Butano, Propano o una loro miscela	
Pressione del gas	28-30mBar	37mBar	37mBar	28-30mBar (2,8 kPa per il Sudafrica) 50mBar
Numero del beccuccio	0.58			0.51
Uso nominale	110g/hr	119 g/hr	110g/hr	110 g/hr
Portata termica nominale lorda	1.5kW	1.63 kW	1.5kW	1.5 kW

Nomi dei paesi e abbreviazioni				
AE = United Arab Emirates	AL = Albania	AT = Austria	BE = Belgium	CH = Switzerland
CZ = Czech Republic	DE = Germany	DK = Denmark	ES = Spain	FI = Finland
FR = France	GB = United Kingdom	GR = Greece	HR = Croatia	IT = Italy
JP = Japan	KR = Korea	NL = Netherlands	NO = Norway	PL = Poland
PT = Portugal	RO = Romania	RU = Russia	RS = Serbia	SI = Slovenia
SK = Slovakia	SE = Sweden	TR = Turkey	ZA = South Africa	

2. Informazioni sulla sicurezza

- Non spostate il dispositivo durante l'uso.
- Chiudete l'erogazione di gas sulla bombola, dopo l'uso.
- Il tubo dev'essere controllato per la presenza di possibili danni o usura prima di ogni utilizzo e prima di essere collegato alla bombola del gas.
- Non usate il dispositivo, se ha un tubo danneggiato o usurato. Sostituite il tubo.
- Non usate un dispositivo che abbia delle perdite, sia danneggiato o non funzioni correttamente.
- Assicuratevi che il dispositivo sia usato a distanza da materiali infiammabili. Le distanze minime di sicurezza sono: Sopra il dispositivo 1,2 m. Dietro e sui lati 600 mm. (v. Fig. 3)
- Assicuratevi che il contenitore del gas sia installato o cambiato all'aperto, lontano da fonti di accensione come fiamme vive, fiammelle pilota e radiatori, e a distanza da altre persone.
- Tenete le bombole a gas lontane dal calore e dalle fiamme. Non mettetele su stufe o altre superfici calde.
- Assicuratevi che il prodotto assemblato sia stabile e non dondoli.
- In caso di ritorno di fiamma (quando la fiamma brucia all'indietro, arroventando il beccuccio), spegnete immediatamente l'unità di erogazione del gas chiudendo la valvola di controllo sul contenitore del gas e quindi la valvola del dispositivo. Dopo che la fiamma si è spenta, togliete l'erogatore e controllate le condizioni della chiusura. Nel dubbio, sostituite la chiusura. Riaccendete il dispositivo come illustrato nella sezione 6, a seguire. Qualora la fiamma dovesse continuare a propagarsi all'indietro, riportate il prodotto al vostro agente autorizzato CADAC per le riparazioni.

2. Informazioni sulla sicurezza (continua)

- Se sul vostro dispositivo c'è una perdita (odore di gas), chiudete immediatamente la valvola della bombola e portatela in un punto lontano dalle fiamme, dove la perdita possa essere individuata e interrotta. Se desiderate verificare la presenza di perdite nel vostro dispositivo, fatelo all'aperto. Non cercate di individuare delle perdite impiegando una fiamma; usate dell'acqua saponata.
- Il modo giusto è cospargere di acqua saponata i giunti, p.es. là dove il gambo si inserisce nella bombola.
- Se si formano delle bolle, vuol dire che c'è una perdita di gas. Interrompete immediatamente l'erogazione di gas chiudendo la valvola di controllo sul contenitore del gas e quindi la valvola del dispositivo. Controllate che tutti i collegamenti aderiscano bene, quindi fate un'ultima verifica con l'acqua saponata.
- Se la perdita di gas persiste, riportate il prodotto al vostro fornitore CADAC per una verifica/riparazione.
- Usare solo all'aperto.

3. Istruzioni di montaggio

- **AVVISO:** Le gambe sono regolate a molla. La loro apertura e la loro chiusura devono essere effettuate in modo controllato, per evitare di rimanere feriti o di danneggiare il vostro Safari Chef 2.
- Per aprire le gambe, capovolgete il dispositivo e trattenete le gambe verso il basso, mentre le sollevate una per una. Sentirete un "click" se la/le gamba/e hanno raggiunto la posizione giusta.
- Per ripiegare le gambe, tenete con fermezza la gamba e spingete giù il relativo gancetto di rilascio. Quindi spingete le gambe verso l'interno fino alla posizione di chiusura (Fig. 6). Quest'operazione dev'essere effettuata in modo sequenziale, per ottimizzare l'uso dello spazio. Prima la gamba anteriore destra (1), quindi quella anteriore sinistra (2), e infine la gamba posteriore (3) (Fig. 4b).
- Prima di collegare l'unità di erogazione del gas, controllate innanzitutto che la valvola del dispositivo sia in posizione "off" girando completamente in senso orario il pomello di controllo (v. Fig. 2).
- **Categorie dei dispositivi I 3B/P (30) e I 3+ (28-30/37):** Installate l'appendice della valvola sulla valvola (Fig.5) avvitandola in senso antiorario. Infilate un tubo di diametro pari a 8mm sull'appendice della valvola fino a che non è collocato in modo adeguato. All'altra estremità collegare un adeguato erogatore a bassa pressione da 30 mbar (configurazioni del butano (I 3B/P (30) e I 3+ (28-30/37)) o uno a bassa pressione da 37 mbar (configurazione del propano (I 3+ (28-30/37)), assicurandovi nuovamente che il tubo sia ben installato. Il tubo utilizzato dev'essere in linea con gli standard BS 3212:1991 / SABS 1156-2 o equivalenti.
- **Categoria dispositivo I 3B/P (50):** Avvitare un tubo con il giunto filettato appropriato a ogni estremità al BSPP da 1/4" di sinistra della valvola. Attaccate un adeguato erogatore a bassa pressione da 50 mbar all'altra estremità del tubo. Il tubo usato dev'essere conforme ai parametri DIN 4815 parte 2 o equivalenti.
- Da notare: Il tubo e l'erogatore non sono forniti con il Safari Chef 2. Per maggiori informazioni, contattate il vostro fornitore locale.
- La lunghezza del tubo non dovrebbe essere inferiore agli 800 mm e non dovrebbe eccedere 1,5 m. Controllate la data di scadenza sul tubo e sostituitelo quando è necessario o quando lo richiedono le condizioni nazionali. Non attorcigliate e non strizzate il tubo.
- Il vostro dispositivo adesso è pronto per l'uso.



Fig. 4a

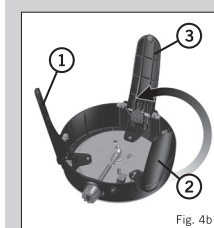


Fig. 4b



Fig. 4c

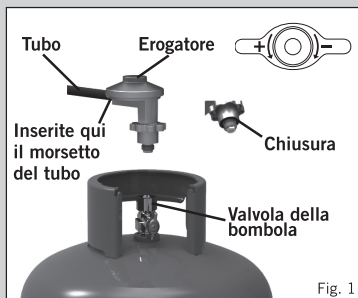


Fig. 1

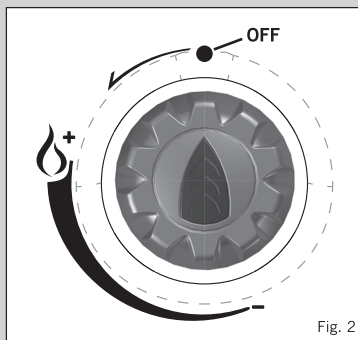


Fig. 2

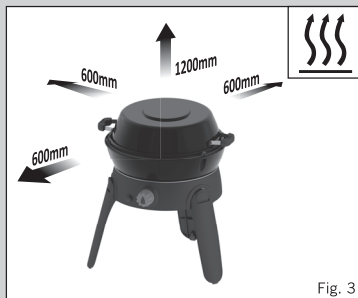


Fig. 3

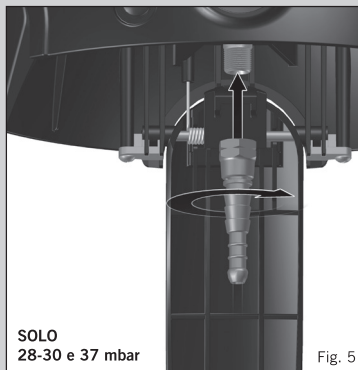


Fig. 5

4. Lista dei componenti

Safari Chef 2 – Bassa pressione

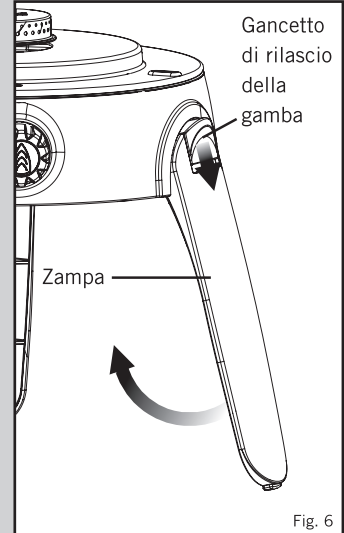
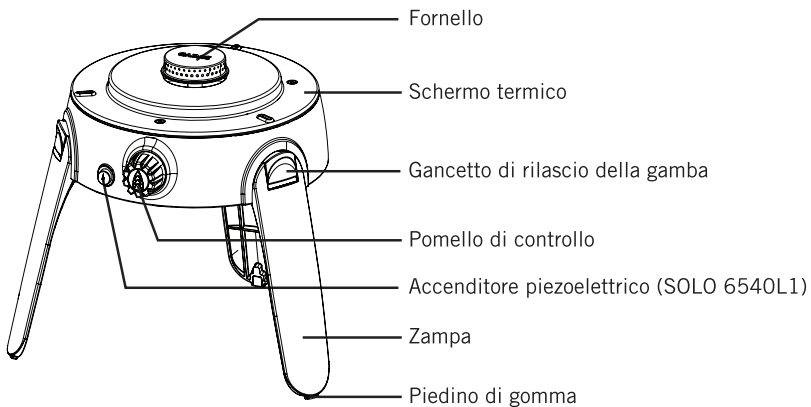
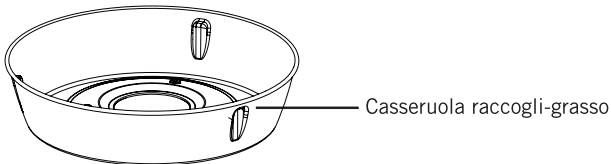
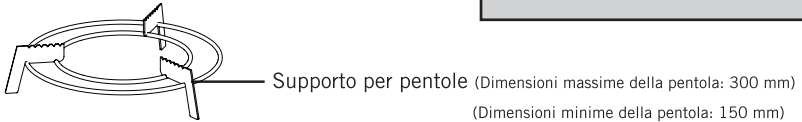
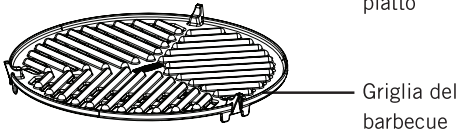
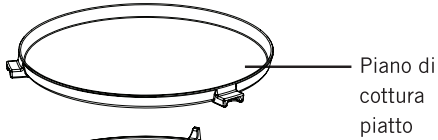
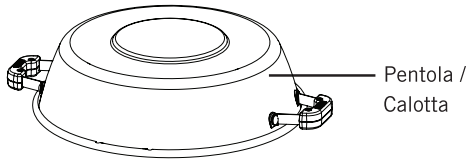


Fig. 7

5. Installazione e sostituzione del tubo e della bombola del gas

- Prima di montare l'erogatore su una bombola di gas, assicuratevi che la chiusura dell'erogatore sia in posizione e in buone condizioni. È un'operazione che dovrebbe effettuarsi per ogni collegamento.
- Assicuratevi che il contenitore del gas sia installato o cambiato all'aperto, lontano da fonti di accensione come fiamme vive o radiatori e a distanza da altre persone.
- Assicuratevi che il contenitore del gas rimanga in posizione verticale, avvitate l'erogatore al contenitore del gas finché non è completamente innestato. Non stringete troppo.
- Se nel vostro dispositivo c'è una perdita (odore di gas), portatelo immediatamente fuori, in un ambiente ben ventilato e senza fiamme, dove tale perdita possa essere individuata e fermata.
Se volete controllare la presenza di perdite sul vostro dispositivo, fatelo all'aperto usando solo acqua saponata, da applicarsi ai giunti. Il formarsi di bolle indicherà la presenza di perdite.
- Controllate che tutti i collegamenti siano saldamente inseriti e fate un'ulteriore verifica con acqua saponata. Se non riuscite a eliminare la perdita, non usate il dispositivo, ma contattate il vostro fornitore locale CADAC per assistenza.
- Quando cambiate un contenitore del gas, chiudete la valvola della bombola e quindi la valvola del dispositivo (v. fig. 1 e 2). Assicuratevi che la fiamma sia spenta, svitate l'erogatore. Reinstallate un contenitore del gas pieno adottando le stesse precauzioni descritte sopra.

6. Uso del dispositivo

- Questo dispositivo dev'essere usato solo all'aperto!
- Quando è in uso, proteggerlo dal vento per ottimizzarne il rendimento.
- Non spostate il dispositivo mentre è caldo. È raccomandato l'uso di guanti protettivi.
- **ATTENZIONE:** Le parti accessibili possono diventare molto calde. Tenete i bambini piccoli a distanza dal dispositivo.
- Per riporre via il dispositivo, lasciatelo raffreddare. Dopo averlo pulito:
Ripiegatelo come spiegato nella precedente sezione 3.
Mettete la pentola / calotta sul fondo della borsa.
Quindi disponete il supporto della pentola capovolto all'interno della pentola stessa.
Mettete la vaschetta per il grasso sopra la pentola e il supporto della pentola capovolto.
Quindi mettete il dispositivo capovolto sopra la vaschetta per il grasso.
Disponete la griglia e il piano di cottura piatto nei rispettivi sostegni separati siti nella copertura della borsa, e chiudete le relative zip.
Ripiegate la copertura della borsa e chiudetela con la zip. (Fig. 8)
- Quando non è in uso, tenete il dispositivo nella relativa borsa da trasporto, poiché ciò impedirà l'ingresso di sporco o insetti, che possono ostacolare il passaggio del gas.
- Quando provate ad accendere il dispositivo, assicuratevi che l'erogazione del gas dalla bombola sia aperta, prima di avviare l'erogazione del gas al dispositivo.
- Utilizzo del pomello di controllo
Il pomello di controllo è dotato di due chiare posizioni di arresto, una per il livello basso e una per l'accensione / livello alto. Ciò limita la regolazione della fiamma tra questi due punti.
Accensione con l'accenditore piezoelettrico
Per accendere il dispositivo usando l'accenditore piezoelettrico, premete e girate il pomello di controllo in senso antiorario finché non sentite un click. Se il gas non si accende alla prima scintilla, premete e girate completamente il pomello di controllo in senso orario. Provate di nuovo, premendo e girando il pomello di controllo in senso antiorario finché non sentite un click. Se il gas non si è acceso nei primi due o tre secondi, sarà opportuno chiudere la valvola di controllo premendo il pomello di controllo e girandolo del tutto in senso orario. Aspettate all'incirca trenta secondi per lasciar fuoriuscire qualsiasi gas accumulatosi all'interno della vaschetta del fornello. Se necessario, ripetete il suddetto procedimento fino a che la fiamma si accende. La fiamma dovrebbe normalmente accendersi entro i primi uno o due secondi.
Accensione con un accendino da barbecue
- Il dispositivo può essere acceso dall'alto prima di installare la superficie di cottura desiderata sulla vaschetta per il grasso, usando un accendino da barbecue mentre si aumenta lentamente il flusso di gas girando in senso antiorario il pomello di controllo.
- Usate il pomello di controllo per regolare l'intensità della fiamma fino al livello desiderato, girando il pomello in senso orario per ridurre la fiamma e in senso antiorario per aumentarla.
- Quando non è in uso, scollegate il dispositivo dall'unità di erogazione del gas.
- **AVVISO:** Non usate per più di 10 minuti nessuna superficie di cottura per cuocere a fuoco alto, poiché ciò può danneggiare i rivestimenti antiadesivi.



7. Opzioni di cottura

- Ci sono quattro opzioni di cottura disponibili nel vostro dispositivo Safari Chef 2. E sono:

Per il barbecue: Questa opzione di cottura è ideale per cuocere alla griglia e senza grassi pollo, salsicce, cotolette, kebab, pesce o verdure.

Per questo tipo di cottura, mettete la vaschetta per il grasso sullo schermo termico. Collocate la griglia per il barbecue sui posizionatori della vaschetta per il grasso.

Attenzione: Da notare che, quando cuocete delle carni grasse, un po' di grasso gocciolerà sul dispositivo, potendo causare delle vampate. State attenti, quando maneggiate queste carni. Le temperature di cottura si regolano facilmente in base alle vostre esigenze girando il pomello della valvola per regolare l'intensità del calore.

Per friggere: Quest'opzione è ideale per cucinare pietanze saltate in padella, pesce, prime colazioni, pancake, gamberi, paella e verdure.

Per questo tipo di cottura, mettete la vaschetta per il grasso sullo schermo termico. Collocate il piano di cottura piatto sui posizionatori della vaschetta per il grasso.

Da notare che, trattandosi di una padella poco profonda, non è adatta alle frittiture con olio abbondante. La superficie facile da pulire incoraggia un ricorso minimo ai grassi, per una cucina sana.

Calotta forno/wok: La calotta può essere usata come un wok, un coperchio per creare un forno sul barbecue o una casseruola. Per una cottura in stile wok, mettete la calotta capovolta direttamente sul supporto della pentola e usatela per preparare

pietanze saltate in padella, piatti di pasta o paella. Per usare la calotta come coperchio da forno, collocatela su un pasto in fase di cottura sull'opzione del barbecue per la cottura in stile convenzionale. È una soluzione ideale per arrostitire del pollo, dell'agnello, della carne di manzo o di maiale. La calotta può anche essere utilizzata come una casseruola, per riscaldare salse o marinate, bollire dell'acqua, cuocere del riso, della pasta, ecc. Disponete la calotta capovolta direttamente sul supporto per le pentole.

Per bollire: Per questo tipo di cottura, mettete il supporto per le pentole nei rispettivi solchi localizzatori sullo schermo termico, assicurandovi che sia correttamente collocato. Mettete sul supporto per le pentole una calotta adatta (diametro di non meno di 150 mm e di non più di 230 mm) o la calotta Safari Chef 2. La vaschetta per il grasso è concepita per essere collocata sopra la calotta fungendo da coperchio per la calotta stessa, allo scopo di bollire il cibo. Un litro d'acqua bollirà approssimativamente in 6 minuti a seconda delle condizioni, delle dimensioni della pentola utilizzata, ecc. N.B.: Quando utilizzate pentole di piccole dimensioni, non provate a usare pentole con manici di plastica.



8. Pulizia

Unità barbecue

- Per pulire la vaschetta per il grasso, il piano di cottura piatto e la griglia del barbecue, lavare in acqua calda con un detergente non abrasivo dopo aver prima di tutto rimosso qualunque grasso in eccesso rimasto dopo la cottura.
- Per pulire la calotta, lavare in acqua calda con un detergente non abrasivo.
- Non usare detersivi abrasivi su nessuna parte, poiché ne danneggeranno la superficie di rivestimento.
- Queste parti si possono pulire in perfetta sicurezza nella lavastoviglie dopo aver rimosso qualunque grasso in eccesso.

Unità corpo principale/gamba

- Questa si pulisce al meglio usando un panno umido morbido e un blando detergente non abrasivo. Non metterla in una lavastoviglie, poiché ciò può consentire l'ingresso di acqua nei fori della valvola o del fornello, il che comporterà il malfunzionamento del dispositivo.
- Quando pulite l'unità corpo principale/gamba, può essere necessario rimuovere il supporto per le pentole. Questa operazione può essere effettuata sollevando il supporto per le pentole fuori dal solco localizzatore nello schermo termico.

9. Manutenzione generale

- A partire dalla data dell'acquisto, l'onere della manutenzione del dispositivo è esclusivamente a carico del consumatore.
- Questo dispositivo non richiede una manutenzione a intervalli regolari.
- Dopo un non uso prolungato, controllate le prese d'aria sotto il congegno e l'apertura del tubo di Venturi per verificare che non vi siano insetti come ragni, ecc., che potrebbero ostacolare il flusso del gas. Dopo aver controllato, reinstallate tutti i componenti nella posizione stabilita.
- Sostituzione di un beccuccio ostruito:**
- Il vostro Safari Chef 2 è dotato di un beccuccio di una misura specifica per regolare il corretto quantitativo di gas.
- Qualora il foro nel beccuccio dovesse ostruirsi, si potrebbe avere una fiamma scarsa o del tutto assente. Non cercate di pulire il beccuccio con uno spillo o altri strumenti simili, poiché ciò potrebbe danneggiare l'orifizio, il che potrebbe renderlo poco sicuro.
- Per sostituire il beccuccio:** Rimuovete la vaschetta per il grasso (Fig. 9). Svitare dolcemente il gruppo del fornello (Fig. 10). Rimuovete le tre viti dal piatto dello schermo termico e rimuovete lo schermo termico (Fig. 11), stando attenti a non danneggiare il pezzo elettrodo. Il beccuccio adesso può essere rimosso usando una chiave adeguata (Fig. 12). Non usate pinze sul beccuccio, poiché questo potrebbe risultarne danneggiato, rendendolo inutilizzabile o impossibile da togliere. Avvitare il nuovo beccuccio nella valvola. Non stringetelo troppo, perché ciò potrebbe danneggiare il beccuccio.
- Invertire la suddetta procedura per riassemblare il set.
- Sostituzione del tubo:**
- L'installazione di un tubo è illustrata nella Sezione 5 - Installazione e sostituzione del tubo e della bombola del gas



Fig. 9



Fig. 10



Fig. 11

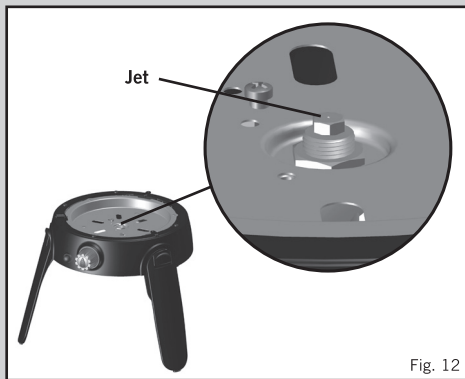


Fig. 12

10. Restituzione del dispositivo per riparazioni o motivi di servizio

- Non modificate il dispositivo, perché potrebbe essere pericoloso.
- Se non riuscite a rimediare a un difetto seguendo queste istruzioni, contattate il vostro distributore locale CADAC per maggiori dettagli su come riportare il prodotto per un controllo.
- Il vostro CADAC Safari Chef 2 è garantito da CADAC per un periodo di 2 anni contro il rischio di difetti di fabbricazione.

11. Pezzi di ricambio e accessori

- Usate sempre pezzi di ricambio originali CADAC, perché sono stati progettati per offrire prestazioni ottimali.

Descrizione	Parte No.	Descrizione	Parte No.
Beccuccio: 0.58mm (28/37mBar)	6540-SP001	Pomello di controllo	6540-SP007
Beccuccio: 0.51mm (50mBar)	6540-SP013	Gruppo piezoelettrico	6540-SP008
Griglia del barbecue	6540-SP002	Gamba (sx / dx)	6540-SP010
Piano di cottura piatto	6540-SP004	Gamba (posteriore)	6540-SP009
Supporto per pentole	6540-SP003	Borsa da trasporto	6540-SP006
Complesso elementi del fornello	6540-SP005	Calotta di copertura	6540-SP011
Casseruola raccogli-grasso	6540-SP017	Distanziatore di silicone	6540-SP019
Valvola bassa pressione	6540-SP016	Gruppo manico calotta	6540-SP020

PRECAUCIÓN

¡Solo para usar en exteriores!

¡Este aparato no se puede usar en un área de entretenimiento, porche o balcón cerrado y exterior!

IMPORTANTE

Lea las instrucciones de uso atentamente para familiarizarse con el aparato antes de conectarlo a su recipiente de gas. Conserve estas instrucciones como una referencia futura.

1. Información general

- Este aparato fue diseñado para ser usado para cocinar al aire libre, especialmente para la gente que va a acampar para disfrutar de la vida al aire libre y también puede ser utilizado en el patio de su casa.
- Varios tipos de alimentos se pueden preparar con este aparato. La Safari Chef 2 fue diseñada para utilizar diversas superficies de cocción.
- El gas se suministra a la unidad a través de una manguera y un regulador (modelo de baja presión) o se conecta directamente a un cartucho desechable (modelo de alta presión). La manguera y el regulador se pueden conectar al cilindro de gas, un cartucho de gas o un CADAC Power Pak 1000 que es una unidad que lleva dos cartuchos de gas. (No se suministra con el aparato).
- La unidad es fácil de encender y operar (Sección 6) y el usuario puede controlar la entrada de calor con una válvula ajustable.
- La unidad se suministra con un práctico bolso de transporte.
- Este aparato cumple con las normas EN498:2012 y SANS 1539:2012
- Este aparato sólo puede ser utilizado con una manguera y un regulador aprobado conectado a un cilindro recargable que cumpla con la normativa local vigente.
- El cilindro recargable sirve para ser utilizado sólo en posición recta.
- Advertencia: Las partes accesibles pueden estar muy calientes. Mantener alejado de los niños pequeños.
- Los aparatos a gas necesitan ventilación para un desempeño eficiente y para garantizar la seguridad de los usuarios y otras personas que se encuentren en las zonas cercanas, por lo tanto, no utilice el aparato en un lugar mal ventilado. Fue diseñado para su uso al aire libre solamente.
- Lea atentamente estas instrucciones antes de utilizar el aparato.
- ¡Solo para usar en exteriores!

6540L0, 6540L1					
País de uso	BE, CH, CY, CZ, ES, FR, GB, GR, IE, IT, LT, LU, LV, PT, SK & SI		PL	BE, CY, DK, EE, FR, FI, HU, IT, LT, NL, NO, SE, SI, SK, RO, HR, TR, BG, IS, LU, MT, & ZA	AT, CH, DE & SK
Categorías del aparato	I ₃₊₂ (38/30/37)		I _{3B/P} (37)	I _{3B/P} (30)	I _{3B/P} (50)
Gases permitidos	Butano	Propano	Butano, Propano o su mezcla		
Presión de gas	28-30mBar	37mBar	37mBar	28-30mBar (2,8 kPa para Sudáfrica)	50mBar
Número de la boquilla	0.58				0.51
Uso nominal	110g/hr	119 g/hr	110g/hr	110 g/hr	
Entrada de calor nominal bruto	1.5kW	1.63 kW	1.5kW	1.5 kW	

Nombre de país y abreviaturas				
AE = United Arab Emirates	AL = Albania	AT = Austria	BE = Belgium	CH = Switzerland
CZ = Czech Republic	DE = Germany	DK = Denmark	ES = Spain	FI = Finland
FR = France	GB = United Kingdom	GR = Greece	HR = Croatia	IT = Italy
JP = Japan	KR = Korea	NL = Netherlands	NO = Norway	PL = Poland
PT = Portugal	RO = Romania	RU = Russia	RS = Serbia	SI = Slovenia
SK = Slovakia	SE = Sweden	TR = Turkey	ZA = South Africa	

2. Información sobre la seguridad

- No mueva el aparato durante el uso.
- Cierre el suministro de gas en el cilindro de gas después de utilizar
- Se debe verificar la manguera para ver si hay desgaste o daño antes de cada uso y antes de conectar al recipiente de gas.
- No use el aparato si tiene una manguera dañada o desgastada. Reemplace la manguera.
- No use un aparato con pérdidas, daños o que no funcione correctamente.
- Asegúrese de utilizar el aparato lejos del material inflamable. Las distancias mínimas de seguridad son: Sobre el aparato 1,2 m. Detrás y a los costados 600 mm. (Ver la Fig. 3)
- Asegúrese de instalar o cambiar el recipiente de gas al aire libre, lejos de cualquier fuente de ignición como llamas vivas, pilotos, estufas eléctricas y alejado de otras personas.
- Mantenga los recipientes de gas lejos del calor y las llamas. No coloque sobre hornallas u otras superficies calientes.
- Asegúrese de que el producto armado quede estable y que no se balancee.
- En el caso de retroceso de la llama (cuando la llama retrocede y enciende en la boquilla), apague inmediatamente el suministro de gas cerrando la válvula de control en el recipiente de gas y luego la válvula del aparato. Después de extinguir la llama quite el regulador y vea la condición del sellado. Reemplace el sellado, si tiene dudas. Vuelva a encender el aparato como se describe en la sección 6 a continuación. Si se producen retrocesos de las llamas en forma persistente, devuelva el producto a su agente de reparación CADAC autorizado.

2. Información sobre la seguridad (continuación)

- Si hay una pérdida en su aparato (huele a gas), cierre la válvula del cilindro inmediatamente y llévalo a un lugar donde no haya peligro de llamas y donde pueda detectarse la pérdida y detenerla. Si desea verificar escapes en su aparato hágalo al aire libre. No intente detectar escapes mediante una llama, pero sí use agua y jabón.
- La forma correcta es untar las uniones, por ejemplo, donde el vástago se ajusta al cilindro, con agua jabonosa.
- Si se forman burbujas, entonces hay una fuga de gas. Apague inmediatamente el suministro de gas cerrando la válvula de control en el recipiente de gas y luego la válvula del aparato. Verifique que estén bien colocadas todas las conexiones. Vuelva a verificar con agua y jabón.
- Si persiste el escape de gas, devuelva el producto a su distribuidor CADAC para su inspección/ reparación.
- Solo para usar en exteriores.

3. Instrucciones de armado

- **ADVERTENCIA:** Las patas tienen resortes. La abertura y cierre de las patas debe realizarse de forma controlada para evitar lesiones personales o daños en su Safari Chef 2.
- Para abrir las patas, dé vuelta la unidad y sostenga las patas hacia abajo mientras levanta cada pata individualmente. Escuchará un "clic" si la(s) pata(s) se colocó(colocaron) correctamente.
- Para doblar las patas nuevamente, mantenga firmemente la pata y empuje la Sujeción de desenganche de la pata hacia abajo. Luego coloque las patas hacia adentro a su posición cerrada (Fig. 6). Esto se debe hacer en forma secuencial para optimizar el espacio. Primero la Pata delantera derecha (1), después la Pata delantera izquierda (2) y por último la Pata trasera (3) (Fig. 4b).
- Antes de conectar el suministro de gas, revise primero que la válvula del aparato esté en la posición de apagado, girando la perilla de control completamente en el sentido de las agujas del reloj (consulte la Fig. 2).
- I 3B/P (30) y I 3+ (28-30/37) Categorías del aparato: Coloque el empalme de la válvula en la Válvula (Fig. 5) atornillándola sobre esta en sentido contrario al de las agujas del reloj. Presione la manguera de diámetro interior de 8 mm en el empalme de la válvula hasta que esté bien asentada. En el otro extremo coloque un regulador de baja presión de 30 mbar (configuraciones de butano de I 3B/P (30) y I 3+ (28-30/37)) o baja presión de 37 mbar (configuración de propano de I 3+ (28-30 / 37)) adecuado y asegúrese nuevamente de que la manguera está bien asentada. La manguera utilizada debe cumplir con BS 3212:1991 / SABS 1156-2 o equivalente.
- I 3B/P (50) Categoría del aparato: Atornille una manguera con los accesorios enroscados correctos a cada extremo en la rosca BSP de 1/4" BSP del lado izquierdo de la válvula. Adhiera un regulador de baja presión adecuado de 50 mbares en el otro extremo de la manguera. La manguera utilizada debe cumplir con la norma DIN 4815 parte 2 o equivalente.
- Nota: la manguera y el regulador no se suministran con el Safari Chef 2. Para más detalles, contacte a su proveedor local.
- La longitud de la manguera no debe ser menor de 800 mm y no superará 1,5 m. Verifique la fecha de vencimiento en la manguera y reemplace, si fuera necesario, o cuando las condiciones nacionales lo requieran. No retuerza ni perforo la manguera.
- El aparato está ahora listo para ser utilizado.

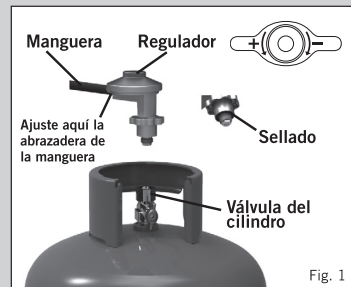


Fig. 1

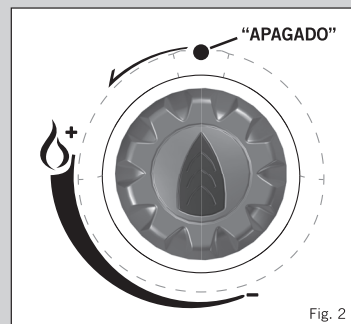


Fig. 2

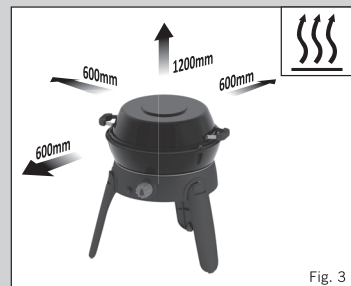


Fig. 3

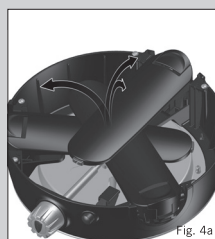


Fig. 4a

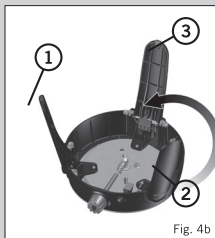


Fig. 4b



Fig. 4c

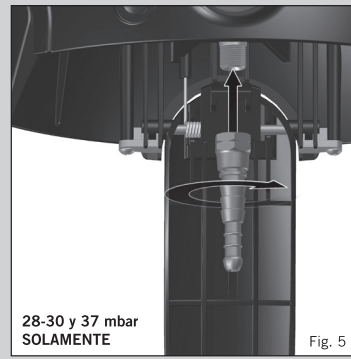


Fig. 5

4. Lista de componentes

Safari Chef 2 – Baja presión

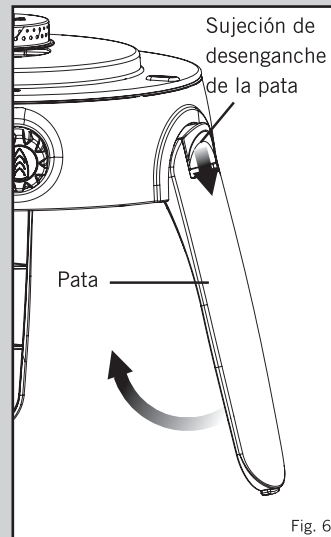
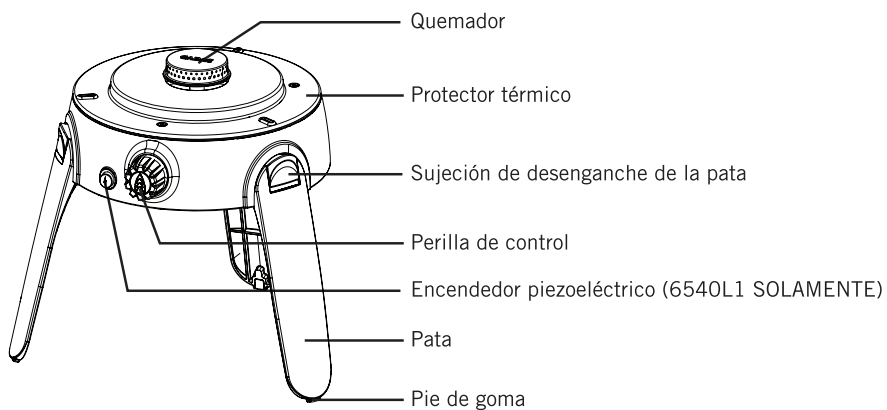
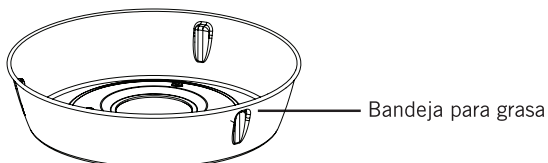
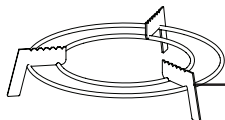
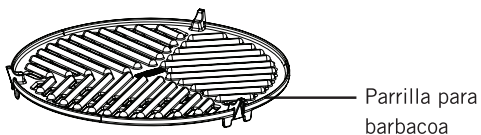
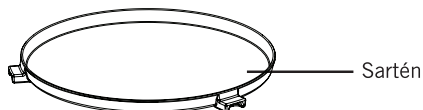
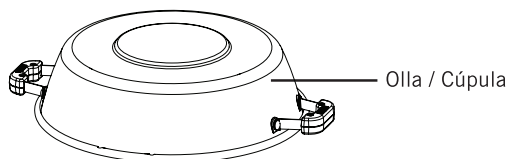


Fig. 7

5. Colocación y cambio de la manguera y el cilindro de gas

- Antes de colocar el regulador en el recipiente de gas, asegúrese de que el sello del regulador esté en posición y en buenas condiciones. Se debe hacer esto con todas las conexiones.
- Asegúrese de instalar y cambiar el recipiente de gas al aire libre, lejos de cualquier fuente de ignición como llamas vivas, estufas eléctricas y alejado de otras personas.
- Asegurarse de que el recipiente de gas se mantenga en posición vertical, atornille el regulador en el recipiente de gas hasta que esté bien conectado. No ajuste excesivamente.
- Si hay una pérdida en su aparato (huele a gas), sáquelo inmediatamente a un lugar donde no haya peligro de llamas y donde pueda detectarse la pérdida y detenerla. Si desea verificar escapes en su aparato hágalo afuera y usando agua con jabón únicamente, que se aplica a las juntas. La formación de burbujas indicará el escape de gas.
- Verifique que todas las conexiones estén bien colocadas y vuelva a verificar con agua y jabón. Si no puede rectificar el escape de gas, no use el aparato. Llame al proveedor local de CADAC para solicitar asistencia.
- Cuando cambie un recipiente de gas, cierre la válvula del cilindro y luego la válvula del aparato (ver las Figuras 1 y 2). Asegurándose de que se haya extinguido la llama, desensrosque el regulador. Vuelva a colocar un recipiente de gas lleno y tome las mismas precauciones según se describieron anteriormente.

6. Uso del aparato

- ¡Este aparato debe ser utilizado al aire libre solamente!
- Cuando está en uso, protéjalo del viento para obtener el rendimiento óptimo.
- No mueva la unidad cuando esté caliente. Se recomienda el uso de guantes de protección.
- **PRECAUCIÓN:** Las partes accesibles se pueden calentar mucho. Mantenga a los niños alejados del aparato.
- Para guardar la unidad, deje que se enfríe. Después de limpiar:

Pliegue el aparato según describe en la sección 3 anterior.

Coloque la olla / cúpula en la parte inferior del bolso. Luego coloque el soporte para ollas boca abajo en la olla. Ponga la Bandeja para grasa sobre la Olla y el Soporte para ollas boca abajo.

Después ubique el aparato boca abajo sobre la bandeja para grasa.

Acomode la Rejilla y la Sartén en los bolsillos separados que se encuentran en la tapa del bolso y ciérrelos.

Pliegue la tapa del bolso y ciérrelo. (Fig. 8)

- Cuando no lo utilice, mantenga el aparato en el bolso de transporte, ya que esto evitará que entre suciedad o insectos, que pueden afectar el flujo de gas.
- Cuando intente encender el aparato, asegúrese de que esté abierto el suministro de gas del cilindro antes de encenderlo.

- Uso de la perilla de control

La perilla de control está equipada con dos posiciones de

tope positivas: Fuego bajo e Ignición/ Fuego alto. Esto limita el ajuste de la llama entre estos dos puntos.

Uso del encendedor piezoeléctrico

- Para encender el aparato con el encendedor piezoeléctrico, presione y gire la perilla de control en el sentido contrario a las agujas del reloj, hasta escuchar el clic. Si el gas no se enciende con la primera chispa, empuje y gire la perilla de control completamente en el sentido de las agujas del reloj. Inténtelo de nuevo, empujando hacia adentro y girando la perilla de control en el sentido contrario al de las agujas del reloj, hasta escuchar el clic. Si no se enciende el gas después de los primeros dos o tres segundos, debe cerrar la válvula de control empujando la perilla de control hacia adentro y girándola completamente en el sentido de las agujas del reloj. Espere aproximadamente treinta segundos para que salga cualquier gas acumulado en el montaje de la bandeja del quemador. Repita el proceso anterior, si fuera necesario, hasta que se encienda la llama. Normalmente, la llama se encenderá dentro de los primeros dos segundos.

Encendido con un encendedor de barbacoa

- El aparato debe encenderse desde la parte superior antes de encajar la superficie deseada de cocción sobre la bandeja de la grasa utilizando un encendedor de barbacoa mientras aumenta lentamente el flujo de gas girando la perilla de control en el sentido contrario al de las agujas del reloj.
- Utilice la perilla de control para ajustar la intensidad de la llama en el nivel deseado girándola en el sentido de las agujas del reloj para disminuir la llama y en el sentido contrario para aumentarla.
- Cuando no lo utilice, desconecte el aparato del suministro de gas.
- **ADVERTENCIA:** No use superficies de cocción en un entorno de llama alta durante más de 10 minutos porque esto puede dañar los revestimientos antiadherentes.



7. Opciones de cocción

- Hay cuatro opciones de cocción disponibles con su aparato Safari Chef 2. Son:

Asar: esta opción de cocción es ideal para asar sin grasa pollo, salchichas, costillas, brochetas, pescado o verduras.

Para este tipo de cocción, coloque la Bandeja para grasa sobre la protección térmica. Ubique la Parrilla para barbacoa en los soportes de la Bandeja para grasa.

Precaución: tenga en cuenta que al cocinar carnes grasas, si gotea un poco de grasa sobre la unidad puede causar llamaradas. Tenga cuidado cuando cocine esas carnes. Las temperaturas de cocción se ajustan fácilmente para adaptarse a sus propias necesidades, girando la Perilla de la válvula para regular el grado de calor.

Freír: esta opción es ideal para frituras, pescados, desayunos, panqueques, langostinos, paella y verduras.

Para este tipo de cocción, coloque la Bandeja para grasa sobre la protección térmica. Ubique la Sartén en los soportes de la Bandeja para grasa. Tenga en cuenta que como es un recipiente poco profundo, no es adecuado para freír en abundante aceite. La superficie de limpieza fácil incentiva el uso mínimo de grasa para cocinar sano.

Cúpula para horno / Wok: la cúpula puede ser utilizada como wok, una tapa para crear un horno en la barbacoa o una cacerola. Para cocinar al estilo wok, coloque la cúpula invertida directamente en el Soporte para ollas y utilícelo para preparar salteados, platos de fideos o paella. Para utilizar la cúpula como una Tapa de horno colóquela sobre la comida que cocina en la opción BBQ para cocinar estilo de convección. Esto es ideal para asar pollo, cordero, carne de res o de cerdo. La Cúpula también se puede utilizar como una cacerola, para calentar salsas, adobos, hervir el agua, cocinar arroz, fideos, etc. Coloque la cúpula invertida directamente en el Soporte para ollas.

Hervir: Para este tipo de cocción, coloque el Soporte para ollas en sus ranuras correspondientes en la protección térmica y asegúrese de que esté correctamente asentado.

Coloque la olla apropiada (que no tenga menos de 150 mm de diámetro y no más de 230 mm de diámetro) o la Cúpula de Safari Chef 2 en el Soporte para ollas. La Bandeja para grasa fue diseñada para ser colocada sobre la cúpula para funcionar como una tapa para la cúpula para hervir comida. Un litro de agua hervirá en aproximadamente 6 minutos, dependiendo de las condiciones, el tamaño de la olla utilizada, etc. Nota: Al usar ollas de tamaño pequeño no intente usar ollas con asas de plástico.



8. Limpieza

Unidad de BBQ (para asar)

- Para limpiar la Bandeja para grasa, la Sartén y la Parrilla para barbacoa, lave con agua tibia y un detergente no abrasivo después de haber sacado anteriormente cualquier exceso de grasa que quede después de la cocción.
- Para limpiar la Cúpula, lave en agua tibia con un detergente no abrasivo.
- No use limpiadores abrasivos en ninguna parte, ya que podría dañar su recubrimiento superficial.
- Estas piezas son perfectamente seguras para limpiar en el lavavajillas después de quitar el exceso de grasa.

Unidad del cuerpo / patas

- Esto se limpia mejor con un paño suave y húmedo y un detergente no abrasivo suave. No coloque en el lavavajillas, ya que puede entrar el agua por los orificios de la válvula o los quemadores y provocar que la unidad no funcione correctamente.
- Cuando limpie la unidad de cuerpo / pata puede ser necesario retirar el soporte para ollas. Esto se puede hacer levantando el soporte para ollas por encima de la ranura en la protección térmica.

9. Mantenimiento general

- La responsabilidad del mantenimiento de este aparato corresponde exclusivamente al consumidor a partir de la fecha de la compra.
- Este aparato no requiere del mantenimiento programado.
- Después de un almacenamiento prolongado, inspeccione los orificios de aire bajo la unidad y la entrada del Venturi para ver si hay insectos como arañas, etc. que puedan afectar el flujo de gas. Después de verificar, vuelva a colocar todos los componentes en la posición indicada.
Reemplazo de la boquilla bloqueada:
- Su Safari Chef 2 está equipada con una boquilla de tamaño específico para regular la cantidad correcta de gas.
- Si el orificio de la boquilla se bloquea, puede causar una pequeña llama o ninguna llama en absoluto. No intente limpiar la boquilla con una clavija u otro aparato porque puede dañar el orificio, lo cual puede volver peligroso el aparato.
- Para reemplazar la boquilla: Saque la Bandeja para grasa (Fig. 9). Desenrosque suavemente el montaje del quemador (Fig. 10). Saque los tres tornillos de la placa de la placa de protección térmica y saque la Protección térmica (Fig. 11) con cuidado de no dañar el electrodo piezoeléctrico. No puede retirar la boquilla utilizando una llave adecuada (Fig. 12). No use pinzas en la boquilla porque puede dañarla, volviéndola inutilizable o imposible de quitar. Enrosque la nueva boquilla en la válvula. No la ajuste demasiado porque puede dañar la boquilla.
- Siga el procedimiento inverso para volver a montar la unidad.
Reemplazo de la manguera:
- La manguera se coloca como se describe en la Sección 5 - Colocación y cambio de la manguera y el cilindro de gas



Fig. 9



Fig. 10



Fig. 11

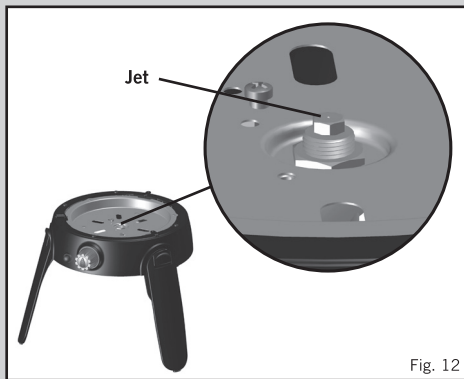


Fig. 12

10. Devolución del aparato para la reparación o el mantenimiento

- No modifique el aparato, puede ser peligroso.
- Si no puede rectificar una falla siguiendo estas instrucciones, contacte a su distribuidor CADAC local para más detalles sobre cómo devolver el producto para su atención.
- Su CADAC Safari Chef 2 está garantizada por CADAC durante un período de 2 años frente a las fallas de fábrica.

11. Repuestos y accesorios

- Use siempre repuestos CADAC genuinos porque fueron diseñados para dar un rendimiento óptimo.

Descripción	Parte Nro.	Descripción	Parte Nro.
Boquilla: 0.58mm (28/37mBar)	6540-SPO01	Perilla de control	6540-SPO07
Boquilla: 0.51mm (50mBar)	6540-SP013	Montaje Piezoeléctrico	6540-SPO08
Parrilla para barbacoa	6540-SPO02	Pata (izquierda / derecha)	6540-SPO10
Sartén	6540-SP004	Pata (trasera)	6540-SPO09
Soporte para ollas	6540-SPO03	Bolso de transporte	6540-SPO06
Unidad de la hornalla	6540-SPO05	Cúpula	6540-SPO11
Bandeja para grasa	6540-SP017	Espaciador de silicona	6540-SPO19
Válvula de baja presión	6540-SP016	Montaje del asa de la cúpula	6540-SPO20

UWAGA

Wyłącznie do użytku na zewnątrz!



Te go urządzenia nie można używać na zewnętrznych obudowanych balkonach, werandach ani w obszarach rozrywki!

WAŻNE

Proszę uważnie przeczytać instrukcję obsługi, aby zapoznać się z urządzeniem przed podłączeniem go do zbiornika z gazem. Zachowaj te instrukcje do późniejszego wykorzystania.

1. Wprowadzenie

- To urządzenie zostało zaprojektowane tak, aby można je było używać do gotowania na świeżym powietrzu, w szczególności dla osób, które lubią spędzać czas na świeżym powietrzu biwakując, oraz do użytku w domu na patio.
- Za pomocą urządzenia można przygotowywać różne potrawy. Safari Chef 2 umożliwiał korzystanie z różnych powierzchni gotowania.
- Gaz jest dostarczany do urządzenia za pomocą węża i regulatora (model na niskie ciśnienie) lub poprzez bezpośrednie podłączenie do jednorazowego kartusza (model na wysokie ciśnienie). Wąż i regulator mogą być podłączone do cylindra z gazem, kartusza lub do urządzenia CADAC Power Pak 1000 zasilanego dwoma kartuszami. (Nie dostarczane w zestawie z urządzeniem.)
- Urządzenie jest łatwe do włączenia oraz łatwe w użytkowaniu (punkt 6), a użytkownik może kontrolować doprowadzanie ciepła za pomocą regulowanego zaworu.
- Urządzenie dostarczane jest wraz z wygodną torbą do przenoszenia.
- Urządzenie jest zgodne z normą EN498:2012 i SANS 1539:2012
- Urządzenie może być używane tylko z zatwierdzonym wężem i regulatorem, które podłączone są do cylindra wielokrotnego napełniania zgodnego z lokalnie obowiązującymi przepisami.
- Cylindra wielokrotnego napełniania można używać wyłącznie w pozycji pionowej.
- Uwaga: łatwo dostępne części mogą być bardzo gorące. Proszę trzymać małe dzieci z dala od urządzenia.
- Urządzenia na gaz wymagają wentylacji dla wydajnej pracy oraz bezpieczeństwa użytkowników i innych osób znajdujących się w bezpośrednim sąsiedztwie, dlatego nie należy używać urządzenia w pomieszczeniach bez wentylacji. Wyłącznie do użytku na zewnątrz.
- Przed przystąpieniem do korzystania z urządzenia przeczytaj uważnie niniejszą instrukcję.
- Wyłącznie do użytku na zewnątrz!**

6540L0, 6540L1					
Kraj użytkowania	BE, CH, CY, CZ, ES, FR, GB, GR, IE, IT, LT, LU, LV, PT, SK & SI	PL	BE, CY, DK, EE, FR, FI, HU, IT, LT, NL, NO, SE, SI, SK, RO, HR, TR, BG, IS, LU, MT, & ZA	AT, CH, DE & SK	
Urządzenie Kategorie	I ₃ +(28-30/37)		I _{3B/P} (37)	I _{3B/P} (30)	I _{3B/P} (50)
Dopuszczalne gazy	Butan	Propan	Mieszanka butan/propan		
Ciśnienie gazu	28-30mBar	37mBar	37mBar	28-30mBar (2,8 kPa dla Republiki Południowej Afryki)	50mBar
Nr dyszy	0.58			0.51	
Zużycie nominalne	110g/hr	119 g/hr	110g/hr	110 g/hr	
Nominalne obciążenie cieplne brutto	1.5kW	1.63 kW	1.5kW	1.5 kW	

Country Name and Abbreviations				
AE = United Arab Emirates	AL = Albania	AT = Austria	BE = Belgium	CH = Switzerland
CZ = Czech Republic	DE = Germany	DK = Denmark	ES = Spain	FI = Finland
FR = France	GB = United Kingdom	GR = Greece	HR = Croatia	IT = Italy
JP = Japan	KR = Korea	NL = Netherlands	NO = Norway	PL = Poland
PT = Portugal	RO = Romania	RU = Russia	RS = Serbia	SI = Slovenia
SK = Slovakia	SE = Sweden	TR = Turkey	ZA = South Africa	

2. Nazwa kraju i skrót

- Podczas korzystania z urządzenia nie należy go przesuwać ani przenosić.
- Po zakończeniu korzystania z urządzenia należy wyłączyć dopływ gazu w cylindrze na gaz.
- Waż należy sprawdzić pod kątem zużycia lub uszkodzenia przed każdym użyciem, a także przed podłączeniem do zbiornika na gaz.
- Nie należy używać urządzenia, jeśli wąż jest uszkodzony lub zużyty. Wymień wąż.
- Nie należy używać urządzenia, które ma nieszczelności, jest uszkodzone lub pracuje nieprawidłowo.
- Upewnij się, że urządzenie jest używane z dala od materiałów palnych. Minimalne bezpieczne odległości to: Nad urządzeniem: 1,2 m. Z tyłu i po bokach: 600 mm. (Patrz rys. 3)
- Upewnij się, że zbiornik na gaz jest przyłączany lub wymieniany tylko w miejscu dobrze wentylowanym najlepiej na świeżym powietrzu, z dala od źródeł zapłonu jak np. otwarty ogień, prąd pilotowy, ogień elektryczny, oraz z dala od innych osób.
- Przechowywać zbiornik na gaz z dala od źródeł ciepła i ognia. Nie umieszczać go na palenisku ani innej gorącej powierzchni.
- Upewnij się, że zmontowany produkt jest stabilny i nie kołysze się.
- W przypadku płomienia wstecznego (gdzie płomień ucieka do tyłu i zapala się przy dyszy) należy w pierwszej kolejności natychmiast wyłączyć dopływ gazu, zamykając zawór regulacyjny na zbiorniku na gaz, a następnie zawór urządzenia. Po zgaszeniu płomienia, należy usunąć regulator oraz sprawdzić stan uszczelki. W razie wątpliwości należy wymienić uszczelkę. Ponownie uruchomić urządzenie zgodnie z opisem w pkt 6 (poniżej). Jeśli płomień wsteczny utrzymuje się, oddaj produkt do autoryzowanego punktu naprawczego CADAC.

2. Informacje dotyczące bezpieczeństwa (kontynuacja)

- Jeśli w urządzeniu wystąpi nieszczelność (zapach gazu), bezzwłocznie zamknąć zawór cylindra i wynieść całość na świeże powietrze w miejsce z dala od płomienia, a następnie znaleźć nieszczelność i ją naprawić. Wszelkie kontrole urządzenia pod kątem nieszczelności wykonuj na gaz, a następnie zaworu urządzenia. Upewnij się, że wszystkie połączenia są prawidłowo zamocowane. Sprawdź ponownie przy użyciu wody z mydłem.
- Pojawienie się bąbelków lub pęcherzyków wskazuje na wyciek gazu. Należy wówczas w pierwszej kolejności natychmiast wyłączyć dopływ gazu poprzez zamknięcie zaworu regulacyjnego na zbiorniku na gaz, a następnie zaworu urządzenia. Upewnij się, że wszystkie połączenia są prawidłowo zamocowane. Sprawdź ponownie przy użyciu wody z mydłem.
- Jeśli wyciek gazu utrzymuje się, należy oddać produkt do sprzedawcy CADAC, celem przeprowadzenia inspekcji / naprawy.
- **Wyłącznie do użytku na zewnątrz.**

3. Instrukcje montażu

- **UWAGA:** Nogi wyposażone są w mechanizm sprężynowy. Rozkładanie i składanie nóg musi odbywać się w sposób kontrolowany, aby uniknąć obrażeń ciała lub zniszczenia urządzenia Safari Chef 2.
- Aby rozłożyć nogi należy postawić urządzenie do góry nogami i przytrzymać nogi podnosząc każdą z nich z osobna. Przy prawidłowym rozłożeniu nogi zatrzasną się we właściwej pozycji.
- Aby złożyć nogi należy bezpiecznie przytrzymać nogę i przycisnąć zacisk zwalnający. Następnie wcisnąć nogi do wewnątrz w pozycję zamkniętą (rys. 6). Należy tego dokonać po kolei w celu uzyskania optymalnego wykorzystania przestrzeni. Najpierw prawą nogę (1), następnie lewą nogę (2) i jako ostatnią tylną nogę (3) (rys. 4b).
- Przed przyłączeniem dopływu gazu należy najpierw upewnić się, że zawór urządzenia jest w pozycji OFF poprzez przekręcenie do oporu pokrętki regulacyjnej zgodnie z ruchem wskazówek zegara (patrz rys. 2).
- **Kategorie urządzeń I 3B/P (30) i I 3+ (28-30/37)** Zamocować Końcówkę zaworu na Zaworze (rys.5), przykręcając go w kierunku przeciwnym do ruchu wskazówek zegara. Wcisnąć Wąż o średnicy wewnętrznej 8 mm na Końcówkę zaworu, aż zostanie prawidłowo osadzony. Na drugim końcu podłączyć odpowiedni regulator niskiego ciśnienia 30 mbar (konfiguracje butanu: I 3B/P (30), I 3+ (28-30/37)) lub regulator niskiego ciśnienia 37 mbar (konfiguracja propanu: I 3+ (28-30/37)), ponownie sprawdzające, czy wąż jest dobrze osadzony. Używany wąż musi być zgodny z normą BS 3212:1991/SABS 1156-2 lub równoważna.
- **Kategoria urządzenia I 3B/P (50):** Przykręcić wąż, z odpowiednio gwintowanymi łącznikami znajdującymi się na każdym końcu, do lewego gwintu 1/4" BSP Zaworu. Podłączyć odpowiedni regulator niskiego ciśnienia 50 mbar do drugiego końca węża. Wąż musi być zgodny z normą DIN 4815 część 2 lub równoważna.
- Uwaga: Wąż i regulator nie są w zestawie z Safari Chef 2. Aby dowiedzieć się więcej, skontaktuj się ze sprzedawcą.
- Wąż powinien mieć długość z przedziału od 800 mm do 1,5 m. Sprawdź datę ważności umieszczoną na wężu i wymień w razie potrzeby lub gdy wymagają tego warunki w danym kraju. Węża nie należy przekreślać ani uciskać.
- **Urządzenie jest gotowe do użycia.**

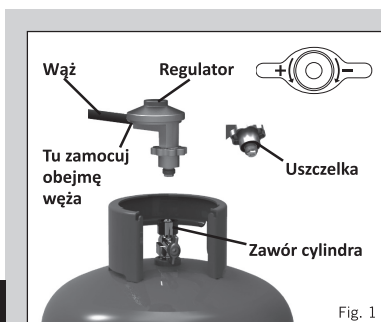


Fig. 1

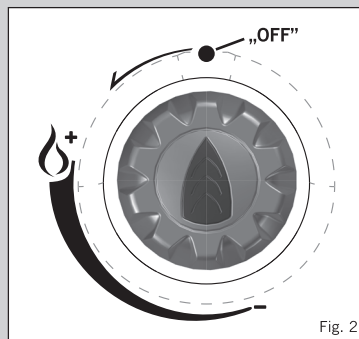


Fig. 2

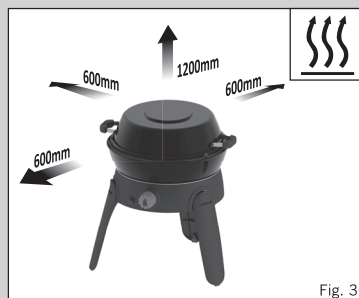


Fig. 3

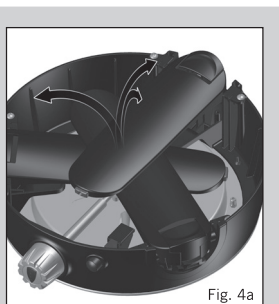


Fig. 4a

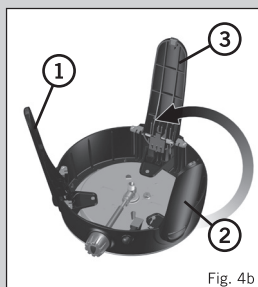
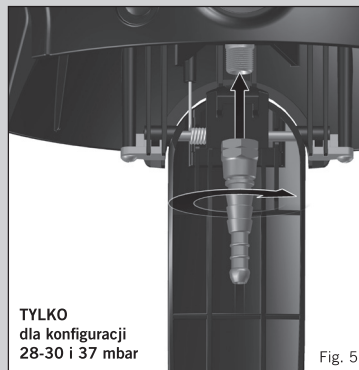


Fig. 4b



Fig. 4c



TYLKO dla konfiguracji 28-30 i 37 mbar

Fig. 5

4. Lista części

Safari Chef 2 LP

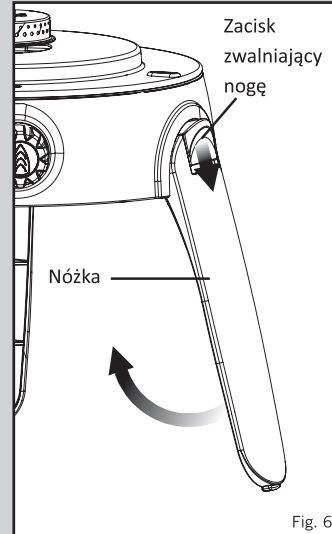
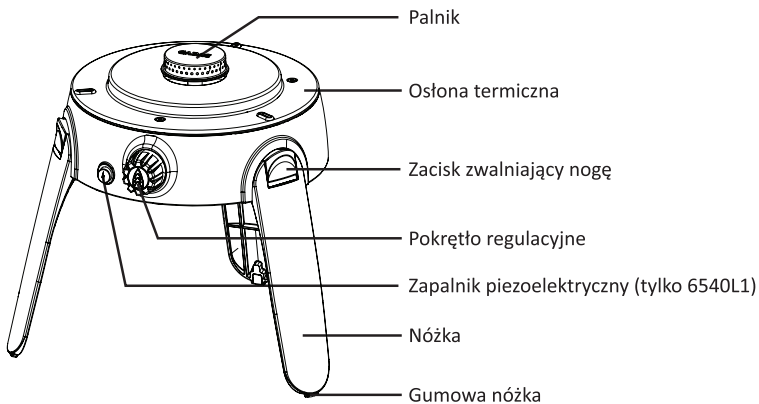
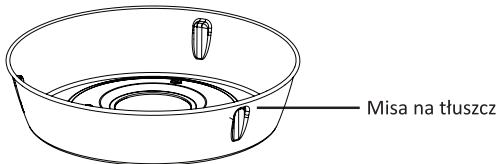
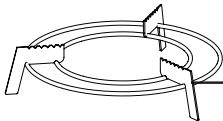
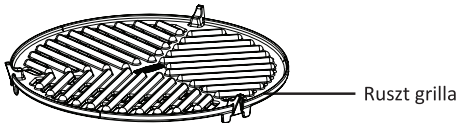
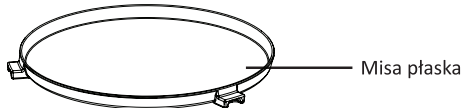
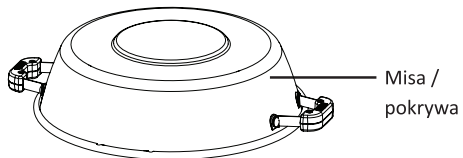


Fig. 7

5. Mocowanie i wymiana węża i cylindra na gaz

- Przed zamocowaniem regulatora do zbiornika na gaz, należy upewnić się, że uszczelka regulatora znajduje się na swoim miejscu i jest w dobrym stanie. Czynność ta powinna być wykonywana przy każdym łączeniu.
- Upewnij się, że zbiornik na gaz jest przyłączany lub wymieniany tylko w miejscu dobrze wentylowanym, najlepiej na świeżym powietrzu, z dala od źródeł zapłonu jak np. otwarty ogień lub ogień elektryczny, oraz z dala od innych osób.
- Upewnij się, że zbiornik na gaz znajduje się w pozycji pionowej, przykręć regulator do zbiornika, dokręcając go do oporu. Nie dokręcać zbyt mocno.
- Jeśli w urządzeniu wystąpi niebezpieczność (zapach gazu), bezwzględnie wynieść całość na świeże powietrze w miejsce z dala od płomienia, a następnie znaleźć niebezpieczność i ją naprawić. Jeśli chcesz sprawdzić niebezpieczności w urządzeniu, zrób to na zewnątrz tylko przy użyciu wody z mydłem, która jest odpowiednia dla łączni. Powstawanie pęcherzyków jest sygnałem wycieku gazu.
- Ponownie przy użyciu wody z mydłem sprawdź, czy wszystkie łączenia są prawidłowo zamocowane. Jeśli nie jest możliwe usunięcie wycieku gazu, nie wolno korzystać z urządzenia. Poprosić o pomoc najbliższego sprzedawcę CADAC.
- Podczas wymiany zbiornika na gaz zamknąć zawór cylindra, a następnie zawór urządzenia (patrz rys. 1 i 2). Upewnij się, że płomień zgasł, odkręć regulator. Ponownie zamocować pełny zbiornik stosując się do wyżej opisanych regul.

6. Korzystanie z urządzenia

- Urządzenie wyłącznie do użytku na zewnątrz!
- Podczas pracy urządzenie należy chronić przed wiatrem, aby zapewnić jego optymalne działanie.
- Proszę nie przenosić urządzenia, kiedy jest gorące. Zaleca się używanie rękawic ochronnych.
- **UWAGA:** Łatwo dostępne części mogą być bardzo gorące. Małe dzieci nie mogą znajdować się w pobliżu urządzenia.
- Przed zapakowaniem proszę pozwolić urządzeniu ostygnąć. Po wyczyszczeniu:
Złożyć urządzenie zgodnie z opisem w punkcie 3 powyżej.
Umieścić misę / pokrywę na dnie torby.
Następnie umieścić podpórkę na misie w misie do góry dnem.
Umieścić misę na tłuszczu na misie i podpórkę na misę do góry dnem.
Następnie umieścić urządzenie na misie na tłuszczu do góry dnem.
Umieścić ruszt oraz misę na tłuszczu w oddzielnych przegrodach znajdujących się w kłapie torby i zapiąć je.
Złożyć kłapę torby i zapiąć ją. (Rys. 8)
- Gdy urządzenie nie jest w użyciu przechowywać je w torbie do przenoszenia, gdyż zapobiega to przenikaniu do urządzenia brudu i insektów, co mogłoby wpłynąć na przepływ gazu.
- Przy próbie rozpalenia urządzenia upewnić się, że dopływ gazu z cylindra jest otwarty przed odkręceniem dopływu gazu do urządzenia.

Korzystanie z pokrętki regulacyjnej

Pokrętło regulacyjne pracuje w dwóch pozycjach ogranicznika – mały płomień oraz wysoki płomień (do zapłonu). Pozwala to na ograniczenie regulacji płomienia między tymi dwoma punktami.

Rozpalanie za pomocą zapalnika piezoelektrycznego

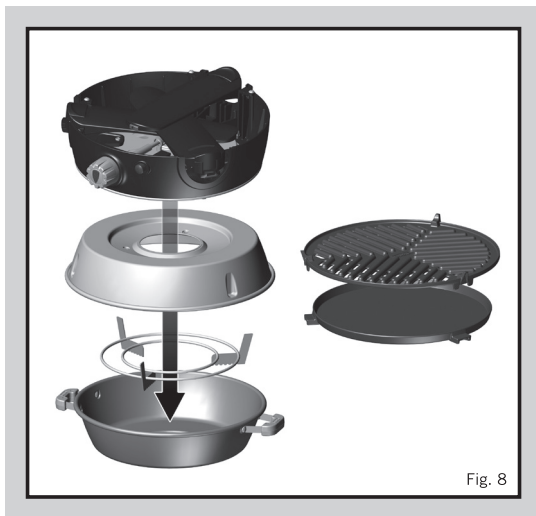
- Aby zapalić urządzenie przy użyciu zapalnika piezoelektrycznego, wcisnąć i przekręcić pokrętło regulacyjne w kierunku przeciwnym do wskazówek zegara, aż do usłyszenia charakterystycznego kliknięcia. Jeśli gaz nie zapalił się przy pierwszej iskrze, wcisnąć i przekręcić pokrętło regulacyjne do oporu zgodnie z ruchem wskazówek zegara. Spróbować ponownie, naciskając i przekręcając pokrętło regulacyjne w stronę przeciwną do wskazówek zegara, aż do usłyszenia charakterystycznego kliknięcia. Jeśli gaz nie zapalił się podczas pierwszej dwóch, trzech sekund należy zamknąć zawór regulacyjny dociskając pokrętło regulacyjne i obracając je do oporu zgodnie z ruchem wskazówek zegara. Odczekać około trzydziestu sekund, aż nagromadzony w misie paliwa gaz ulotni się. Jeśli to konieczne, powtórzyć cały proces, aż do uzyskania płomienia. Płomień powinien zapalić się zazwyczaj w ciągu sekundy lub dwóch.

Rozpalanie za pomocą zapalniczki do grilla

- Urządzenie można zapalać od góry, po uprzednim zamontowaniu pożądanej powierzchni do gotowania na misie na tłuszczu, za pomocą zapalniczki do grilla i jednoczesnego powolnego zwiększania przepływu gazu odkręcając pokrętło regulacyjne w kierunku przeciwnym do wskazówek zegara.
- Proszę używać pokrętki regulacyjnej w celu dowolnego ustawiania intensywności płomienia, odkręcając je zgodnie z ruchem wskazówek zegara, aby zmniejszyć płomień i w stronę przeciwną do wskazówek zegara, żeby płomień zwiększyć.
- Gdy urządzenie nie jest używane należy odłączyć je od dopływu gazu.
- **UWAGA:** Podczas używania jakichkolwiek powierzchni do gotowania wysoki płomień nie powinien być ustawiony dłużej niż przez 10 minut, gdyż może to doprowadzić do uszkodzenia powłok nieprzywierających.

7. Możliwości przyrządzania potraw

- Istnieją cztery dostępne sposoby gotowania za pomocą urządzenia Safari Chef 2. Są to:
Grillowanie: Sposób ten jest idealny do grillowania beztłuszczowego kurczaka, kielbasy, kotletów, kebabów, ryb lub warzyw. Podczas gotowania tego typu umieścić misę na tłuszczu na ostronie termicznej. Umieścić ruszt grilla na zaczepach misy na tłuszczu.
Uwaga: Proszę zwrócić uwagę, że przy gotowaniu gatunków mięsa o dużej zawartości tłuszczu, tłuszcz może kapać na urządzenie, czego skutkiem mogą być rozbitki płomienia. Proszę być ostrożnym przy przygotowywaniu takiego rodzaju mięsa. Temperatura gotowania może zostać odpowiednio nastawiona zgodnie z Państwem wymaganiami poprzez przekręcenie gałki zaworu.



Smażenie: Sposób ten jest idealny do smażenia w ruchu, smażenia ryb, przygotowywania śniadań, naleśników, krewetek, paelli i warzyw. Podczas gotowania tego typu umieścić misę na tłuszcz na osłonie termicznej. Umieścić misę płaską na zaczepach misy na tłuszcz. Proszę zwrócić uwagę, że płaska patelnia nie nadaje się do smażenia na głębokim tłuszczu. Ponieważ powierzchnia jest łatwa do czyszczenia sprawia to, że wymagana jest tylko niewielka ilość tłuszczu, co czyni ten sposób przygotowywania zdrowym.

Pokrywa piecyka / Wok: Pokrywa może być używana jako wok, jako pokrywa do stworzenia z grilla piecyka, lub jako rondel. Podczas gotowania wykorzystującego styl wok, umieścić pokrywę do góry nogami bezpośrednio na podpórcę na misę w celu przygotowania potraw smażonych w ruchu, dań z makaronem lub paelli. Aby wykorzystać pokrywę jako pokrywę piecyka należy umieścić ją nad potrawą wykorzystując opcję grillowania dla gotowania konwekcyjnego. Sposób ten nadaje się idealnie do pieczenia kurczaka, baraniny, wołowiny lub wieprzowiny. Pokrywa może być również używana jako rondel do podgrzewania sosów, marynat, gotowania wody, ryżu, makaronu itp. Umieść pokrywę do góry nogami bezpośrednio na podpórcę na misę.

Gotowanie: Podczas tego typu gotowania, umieścić podpórkę na misę w rowkach zaczepów osłony termicznej i sprawdzić, czy jest poprawnie osadzona. Położyć odpowiedni garnek (o średnicy nie mniejszej niż 150 mm i nie większej niż 230 mm) lub pokrywę urządzenia Safari Chef 2 na podpórcę na misę.

Misa na tłuszcz jest wykonana tak, aby można ją było umieścić na pokrywie i wykorzystać jako pokrywkę przy gotowaniu jedzenia. Litr wody będzie się gotował około 6 minut zależnie od warunków, wymiarów wykorzystanego garnka itp. Uwaga: w przypadku korzystania z małych garnków nie używać garnków z uchwytyami z tworzywa sztucznego.

Grillowanie



Smażenie



Pokrywa piecyka / Wok



Gotowanie



8. Czyszczenie

Rożen

- Aby wyczyścić misę na tłuszcz, misę płaską oraz ruszt należy użyć ciepłej wody z dodatkiem nie rysującego powierzchni środka do mycia po uprzednim usunięciu nadmiaru tłuszczu po gotowaniu.
- Aby wyczyścić pokrywę należy użyć ciepłej wody z dodatkiem nie rysującego powierzchni środka do mycia.
- Proszę nie używać żadnych szorujących środków czyszczących, ponieważ mogą one uszkodzić powłokę powierzchni danej części.
- Po usunięciu nadmiaru tłuszczu, części można bezpiecznie myć w zmywarce.

Mycie korpusu / nóg

- Najlepiej myć je miękką, wilgotną ściereczką z użyciem delikatnego, nie rysującego powierzchni, detergentu. Nie należy myć w zmywarce, ponieważ woda mogłaby dostać się do zaworu lub otworów palnika, co mogłoby doprowadzić do złego funkcjonowania urządzenia.
- Podczas czyszczenia korpusu / nóg urządzenia może być konieczne zdjęcie podpórki na misę. W tym celu należy zdjąć podpórkę na misę z rowków zaczepu osłony termicznej.

9. Informacje ogólne o konserwacji urządzenia

- Po zakupie urządzenia ciężar jego konserwacji leży wyłącznie po stronie konsumenta.
- Urządzenie nie wymaga regularnej konserwacji.
- Po dłuższym przechowywaniu należy sprawdzić, czy w otworach wentylacyjnych znajdujących się pod urządzeniem lub we wlocie Venturiego nie znajdują się owady, np. pająki, które mogą mieć wpływ na przepływ gazu. Po sprawdzeniu, ponownie zamocuj wszystkie komponenty na swoje miejsce.

Wymiana zablokowanej dyszy:

- Urządzenie zostało wyposażone w dyszę o specjalnych wymiarach, pozwalającą na regulację poziomu gazu.
- Jeżeli otwór w dyszy zostanie zablokowany, może to spowodować mały promień lub brak płomienia. Nie należy czyścić dyszy szpilką ani podobnymi przedmiotami, gdyż może to uszkodzić otwór, a urządzenie stanie się niebezpieczne.
- Aby wymienić dyszę: Zdjąć misę na tłuszcz (rys. 9). Delikatnie odkręcić palnik (rys. 10). Wyjąć trzy śruby przytrzymujące osłonę termiczną i zdjąć osłonę (rys. 11) uważając, aby nie uszkodzić elektrody piezo. Dyszę można teraz odkręcić za pomocą odpowiedniego klucza (rys. 12). Nie należy używać szczypliec, gdyż może to spowodować uszkodzenie dyszy, przez co będzie się ona bezużyteczna lub jej zdjęcie stanie się niemożliwe. Wkręć nową dyszę do zaworu. Nie należy dokręcać zbyt mocno, gdyż może to uszkodzić dyszę.
- W celu ponownego montażu urządzenia procedurę powtórzyc w odwrotnej kolejności.
- **Wymiana węża:**
- Montaż węża jest opisany w pkt 5 - Mocowanie i wymiana węża i cylindra na gaz



Fig. 9



Fig. 10



Fig. 11

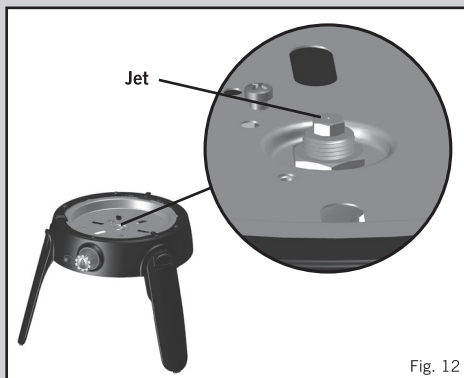


Fig. 12

10. Oddanie urządzenia do naprawy lub serwisowania

- Nie należy modyfikować urządzenia, gdyż może to być niebezpieczne.
- Jeśli nie jesteś w stanie naprawić usterki, postępując zgodnie z poniższymi instrukcjami, skontaktuj się z najbliższym dystrybutorem CADAC i dowiedz się, w jakim trybie przekazać produkt do naprawy.
- CADAC udziela 2-letniej gwarancji na Twoje urządzenie CADAC Safari Chef 2, która obejmuje usterki fabryczne.

11. Części zamienne i elementy wyposażenia

- Zawsze należy stosować oryginalne części zamienne CADAC, gdyż zostały one zaprojektowane tak, aby zapewnić optymalną wydajność.

Opis	Nr części	Opis	Nr części
Jet: 0.58mm (28/37mBar)	6540-SPO01	Control Knob	6540-SPO07
Jet: 0.51mm (50mBar)	6540-SP013	Piezo Assembly	6540-SPO08
BBQ Grid	6540-SPO02	Leg (Left / Right)	6540-SPO10
Flat Pan	6540-SPO04	Leg (Rear)	6540-SPO09
Pot Stand	6540-SPO03	Carry Bag	6540-SPO06
Burner Assembly	6540-SPO05	Dome	6540-SPO11
Fat Pan	6540-SPO17	Silicone Spacer	6540-SPO19
LP Valve	6540-SPO16	Dome Handle Assembly	6540-SPO20

VARNING

Endast för utomhusbruk!

Denna apparat får ej användas på inbyggd balkong, altan eller liknande festplats!

VIKTIGT

Läs denna bruksanvisning noga för att bekanta dig med apparaten innan du ansluter den till sin gasbehållare. Behåll bruksanvisningen för framtida bruk.

1. Allmänna upplysningar

- Denna apparat har utformats för att användas vid utomhusmatlagning, speciellt för folk som åker ut och kamperar för att njuta av utomhusliv, och den kan också användas hemma på uteplatsen.
- Olika sorters mat kan tillagas på apparaten. Safari Chef 2 är utformad så att man kan använda olika matlagningssystem.
- Gas leds till apparaten via en slang med reglerventil (Lågtrycksmodellen) eller anslutning sker direkt till en engångstubb (Högtrycksmodellen). Slangen och reglerventilen kan anslutas till en gascylinder, en gasolttub eller till CADAC Power Pak 1000, vilket är en enhet som tar två gasolttuber. (Medföljer ej apparaten.)
- Apparaten är enkel att slå på och använda (Avdelning 6), och värmeställningen kan regleras med en justerbar ventil.
- Apparaten kommer med en bekväm transportpåse.
- Denna apparat fyller kraven i EN498:2012 och SANS 1539:2012
- Denna apparat får endast användas med godkänd slang och reglerventil anslutna till en påfyllbar cylinder som fyller kraven i gällande lokala föreskrifter.
- Den påfyllbara cylindern får endast användas i upprätt ställning.
- Varning:** Åtkomliga delar kan bli mycket heta. Håll småbarn på avstånd.
- Gasdrivna apparater kräver god lufttillförsel för att fungera effektivt och för att vara trygga för användarna och andra människor i närheten. Använd därför inte apparaten i ett oventilerat utrymme. Den är avsedd enbart för utomhusbruk.
- Läs denna bruksanvisning noga innan du använder apparaten.
- Använd endast utomhus!**

6540L0, 6540L1					
Användningsland	BE, CH, CY, CZ, ES, FR, GB, GR, IE, IT, LT, LU, LV, PT, SK & SI		PL	BE, CY, DK, EE, FR, FI, HU, IT, LT, NL, NO, SE, SI, SK, RO, HR, TR, BG, IS, LU, MT, & ZA	AT, CH, DE & SK
Apparatklasser	I ₃₄ (28-30/37)		I _{3B/P} (37)	I _{3B/P} (30)	I _{3B/P} (50)
Tillåtna gaser	Butan	Propan	Butan, Propan eller en blandning av dessa		
Gasträck	28-30mBar	37mBar	37mBar	28-30mBar (2,8 kPa i Sydafrika)	50mBar
Munstycke nummer	0.58			0.51	
Nominell förbrukning	110g/hr	119 g/hr	110g/hr	110 g/hr	
Max. nominell värmeeffekt	1.5kW	1.63 kW	1.5kW	1.5 kW	

Landsnamn och Förkortningar				
AE = United Arab Emirates	AL = Albania	AT = Austria	BE = Belgium	CH = Switzerland
CZ = Czech Republic	DE = Germany	DK = Denmark	ES = Spain	FI = Finland
FR = France	GB = United Kingdom	GR = Greece	HR = Croatia	IT = Italy
JP = Japan	KR = Korea	NL = Netherlands	NO = Norway	PL = Poland
PT = Portugal	RO = Romania	RU = Russia	RS = Serbia	SI = Slovenia
SK = Slovakia	SE = Sweden	TR = Turkey	ZA = South Africa	

2. Säkerhetsinformation

- Flytta inte apparaten medan den är i drift.
- Stäng av gastillförseln vid gascylindern efter användandet.
- Slangen måste kontrolleras på slitage och skador före varje användningstillfälle, och innan den ansluts till gasbehållaren.
- Använd inte apparaten om den har en skadad eller sliten slang. Byt ut slangen.
- Använd inte en apparat som läcker, som är skadad, eller inte fungerar ordentligt.
- Se till att apparaten används på säkert avstånd från antändliga material. Minimumavstånd för säkerhet är: Ovanför apparaten 1,2 m. Bakåt och åt sidorna 600 mm. (Se Fig. 3)
- Se till att gasbehållaren sätts fast och byts ut utomhus, på avstånd från tänkbara antändningskällor, som oskyddade lågor, pilotflammar, värmekaminer, och likaså på avstånd från andra människor.
- Håll gasbehållare på avstånd från värmekällor och lågor. Sätt dem aldrig på en spis eller annan het yta.
- Se till att den monterade apparaten står stadigt och inte vaggar.
- I händelse av baktändning (när lågan slår tillbaka och tänder vid gasmunstycket), stäng omedelbart av gastillförseln genom att stänga reglerventilen på gasbehållaren och därefter apparatventilen. Efter att lågan har slocknat, ta av reglerventilen och undersök tätningringen. Byt ut tätningringen om du är tveksam. Tänd apparaten igen som beskrivet i del 6 nedan. Om lågan fortsätter att slå tillbaka, lämna in apparaten hos din auktoriserade CADAC-reparatör.

2. Säkerhetsupplysningar (fortsättning)

- Om det är en läcka på apparaten (gaslukt), stäng genast cylinderventilen och ta enheten till en plats undan från alla lågor där läckan kan lokaliseras och stoppas till. Om du vill kolla apparaten på läckage, gör det utomhus. Försök aldrig att hitta läckor med hjälp av en låga; använd tvållösning.
- Den rätta metoden är att smörja in anslutningspunkterna, t.ex. där skafvet sitter fast mot cylindern, med tvållösning.
- Om det bildas bubblor, finns det en gasläcka. Stäng genast av gastillförseln genom att först stänga av reglerventilen på gasbehållaren och sedan apparatventilen. Kolla att alla anslutningarna sitter som de skall. Kolla igen med tvållösning.
- Om du inte lyckas täta en gasläcka, lämna in produkten till din CADAC-försäljare för undersökning/repairation.
- **Använd endast utomhus.**

3. Monteringsanvisningar

- **WARNING:** Benen är fjäderbelastade. Benen måste vikas ut och in på ett kontrollerat sätt för att undvika personskador eller skador på din Safari Chef 2.
- När du vill vika ut benen, vänd hela apparaten upp-och-ner och håll fast benen medan du lyfter det ena benet efter det andra. Du hör ett klickljud när vart ben kommer i rätt läge.
- När benen ska vikas in igen, håll benet stadigt och tryck ner behållarspännet. Skjut sedan benet inåt till dess invikta läge (Fig. 6). Gör detsamma med alla benen i tur och ordning för att utnyttja utrymmet optimalt. Först Höger framben (1), därefter Vänster framben (2) och sist Bakbenet (3) (Fig. 4b).
- Innan du ansluter gastillförseln, kolla att apparatventilen är i stängt läge genom att vrida reglervredet helt och hållet medurs (Se Fig. 2).
- **Apparatklasser I 3B/P (30) och I 3+ (28-30/37):** Anbringa Ventilslutstycket på Ventilen (Fig. 5) genom att skruva fast det moturs. Skjut en slang med 8 mm innerdiameter över ventilens ändstycke tills den sitter som den skall. Anslut en passende 30 mbar lågtrycks-reglerventil i andra änden (I 3B/P (30) och I 3+ (28-30/37) för butan-anordningar) eller 37 mbar (I 3+ (28-30/37) för propan-anordningar). Se återigen till att slangen sitter väl fast. Den slang som används måste fylla kraven i BS 3212 / SABS 1156-2 eller jämförlig standard.
- **I 3B/P (50) Apparatklass:** Skruva fast en slang med rätt storlek gängade passtycken i var ända mot Ventilens vänstergångade ¼" BSP gänga. Fäst en passende 50 mbar lågtrycks reglerventil i andra änden av slangen. Slangen som används måste uppfylla kraven i DIN 4815 del 2 eller motsvarande.
- **Märk:** Slang och reglerventil medföljer ej Safari Chef 2. Kontakta din lokala handlare för ytterligare detaljer.
- Slangens längd skall vara minst 800 mm och högst 1,5 m. Kolla utgångsdatum på slangen och byt ut den vid behov eller när nationella regler så kräver. Se till att inte vrida slangen eller låta den komma i kläm.
- Din apparat är nu klar att använda.

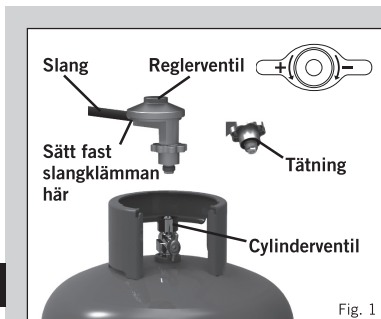


Fig. 1

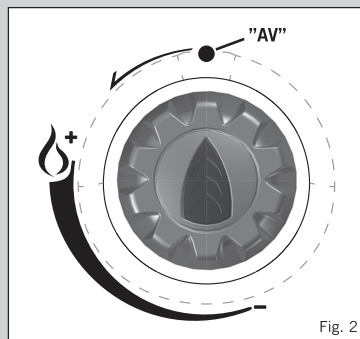


Fig. 2

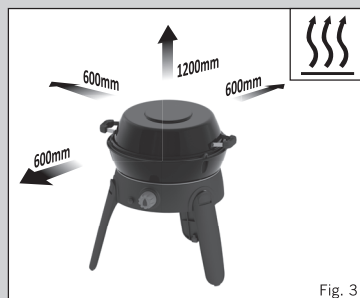


Fig. 3

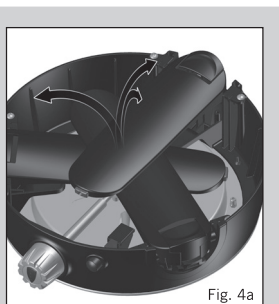


Fig. 4a

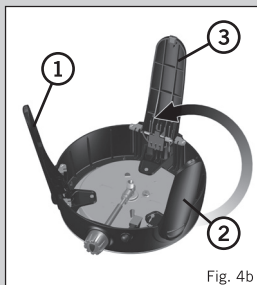


Fig. 4b



Fig. 4c

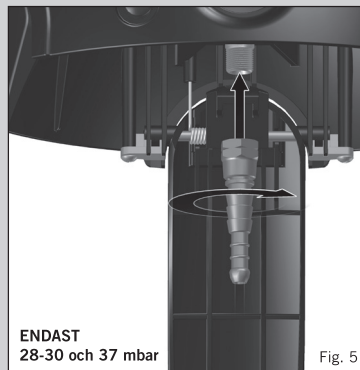


Fig. 5

4. Stycklista

Safari Chef 2 – Lågtrycksmodell

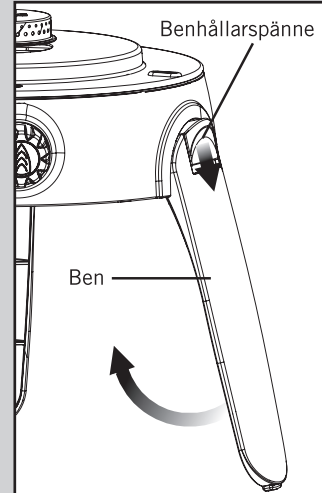
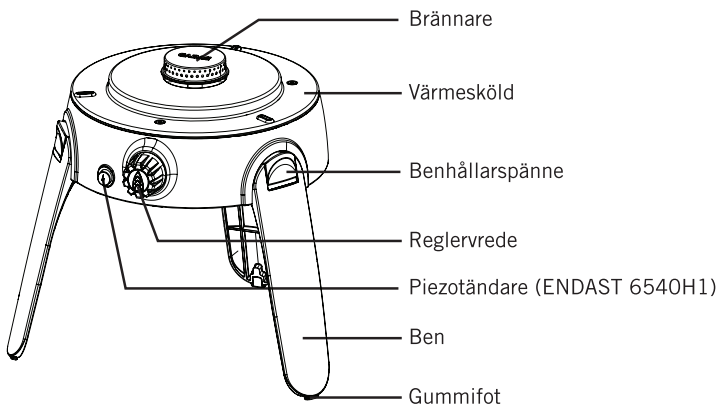
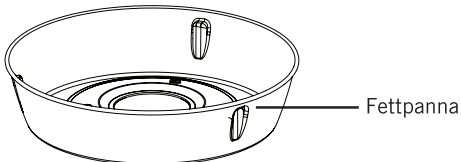
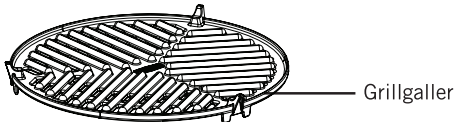
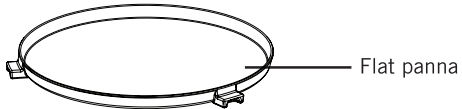
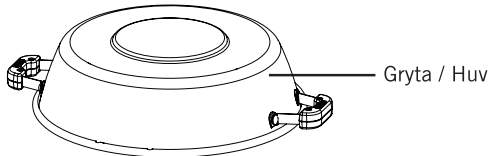


Fig. 6

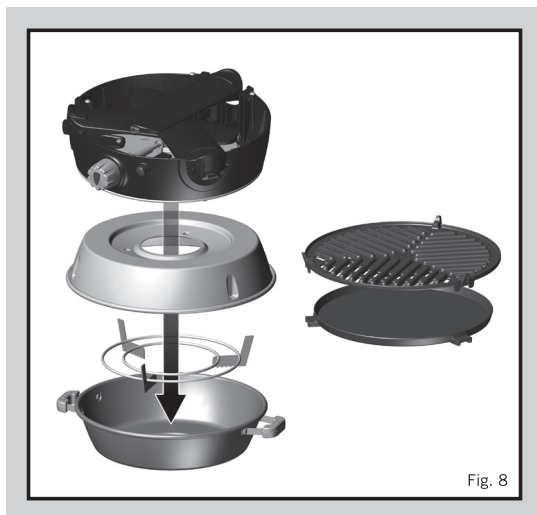
Fig. 7

5. Anslutning och Utbyte av Slang och Gasbehållare

- Innan du ansluter reglerventilen till en gasbehållare, se till att tätningsskivan på reglerventilen finns på plats, och att den är i gott skick. Detta skall göras vid varje anslutningstillfälle.
- Se till att gasbehållaren ansluts och byts utomhus, på avstånd från tänkbara användningskällor, som oskyddade lågor eller värmekaminer, och på avstånd från andra människor.
- Se till att gasbehållaren står upprätt. Skruva fast reglerventilen på gasbehållaren tills den är fullt ingängad. Skruva inte för hårt.
- Om det är en läcka vid apparaten (gaslukt), ta genast ut den till en plats utan lågor eller gnistor där du kan lokalisera och stoppa läckan. Om du vill kolla apparaten på läckage, gör det utomhus, enbart med hjälp av tvållösning, som smörjs över fogarna. Om bubblor bildas, visar det på en gasläcka.
- Kolla att alla anslutningar sitter stadigt, och kolla igen med tvållösning. Om du inte lyckas fixa en gasläcka, använd inte apparaten. Kontakta din lokala CADAC-försäljare för hjälp.
- När du ska byta ut en gasbehållare, stäng cylinderventilen och sedan apparatventilen (se Fig. 1 och 2). Se efter att lågan har slocknat och skruva sedan av reglerventilen. Sätt på en full gascylinder med iakttagande av samma försiktighetsmått som ovan beskrivits.

6. Användning av apparaten

- Denna apparat får endast användas utomhus!
- Skydda den mot vind under användningen för att få optimal funktion.
- Flytta inte apparaten medan den är het. Använd helst skyddshandskar.
- **VARNING:** Åtkomliga delar kan bli mycket heta. Håll småbarn borta från apparaten.
- Låt apparaten svalna innan du packar in den. Gör ren den, Vik sedan ihop apparaten som beskrivet i avdelning 3 ovan. Sätt först grytan / hunden i botten av påsen. Sätt sedan grytstativet upp-och-ner inuti grytan. Sätt Fettpannan upp-och-ner ovanpå Grytan och Grytstativet. Sätt sedan själva apparaten upp-och-ner ovanpå fettpannan. Lägg in Gallret och den Flata Pannan i deras respektive fack i påsens lock och dra till blixtlåsen. Vik locket över påsen och dra ihop blixtlåset. (Fig. 8)
- Förvara apparaten i sin Transportpåse när den inte används, eftersom det förhindrar att det kommer in smuts eller insekter som kan försämrare gasflödet.
- När du ska tända apparaten, se till att gastillförseln från behållaren är öppen innan du vrider på gasen till själva apparaten.
- Användning av reglervredet
Reglervredet har två distinkta stopplågen, ett vid Lågt och det andra vid Tänd / Høgt. Detta begränsar justeringen av lågan till området mellan dessa två lågen.



- Tändning med hjälp av Piezo-tändaren
- Vid tändning av apparaten med piezo-tändaren, tryck in reglervredet och vrid det moturs tills du hör ett klickljud. Om gasen inte tänds av den första gnistan, tryck in reglervredet och vrid det helt och hållet medurs. Försök igen att trycka in och vrida reglervredet moturs tills du hör ett klick. Om gasen inte tänds under de första två-tre sekunderna, bör du stänga reglerventilen genom att trycka in vredet och vrida det helt medurs. Vänta sedan ca 30 sekunder så att gas som samlats i brännarpannan kan ta sig ut. Upprepa ovanstående procedur om det behövs, tills lågan tänds. Den bör normalt tändas inom en sekund eller två.
- Tändning med hjälp av grilltändare
- Apparaten kan tändas uppfifrån, innan du sätter den valda matlagningssytan ovanpå fettpannan, med hjälp av en grilltändare, medan du långsamt ökar gasflödet genom att vrida reglervredet moturs.
- Använd reglervredet till att justera lågan till önskad intensitet genom att vrida det medurs för att minska lågan och moturs för att öka den.
- Koppla loss apparaten från gasbehållaren när den ej är i användning.
- **VARNING:** Använd ingen matlagningssyta på hög inställning av lågan i mer än 10 minuter eftersom det kan förorsaka skador på den icke-häftande ytbehandlingen.

7. Matlagningsmöjligheter

- Safari Chef 2-apparaten har fyra olika matlagningsmöjligheter. De är:
Grillning: Detta matlagningssätt lämpar sig utmärkt för fettfri grillning av kyckling, korvar, kotletter, grillspett, fisk eller grönsaker. För detta matlagningssätt placeras du Fettpannan ovanpå värmeskölden. Sätt Grillgallret så att den passar mot nabbarna i Fettpannan.
Varning: Tänk på att när du grillar feta köttbitar, droppar en del av fett ner på apparaten, vilket kan ge upphov till uppfloamning. Var försiktig när du hanterar sådana köttbitar. Grilltemperaturen kan lätt justeras efter behov genom att vrida reglervredet för att anpassa värmen.

Stekning: Detta tillagningssätt lämpar sig bra för rörstekning, fisk, frukostmat, pannkakor, räkor, paella och grönsaker.

För detta matlagningssätt placerar du Fettpannan ovanpå värmeskölden. Sedan sätter du på den Flata Pannan så att den passar mot nabbarna i Fettpannan. Tänk på att eftersom pannan är grund, lämpar den sig inte för fritering. Den lättdiskade ytan underlättar användning av mycket litet fett till stekningen för hälsosam tillagning.

Ugnshuv / Wok: Huvuven kan användas som en wok, som ett lock för att åstadkomma en ugn på grillen, eller som en kastrull/gryta. Om du vill woka, sätt huvuven upp-och-ner direkt ovanpå Grytstativet och använd den till att laga rörstekta rätter, pastarätter eller paella. Om Huvuven skall användas som ett lock för en Ugn, sätter du den över mat som grillas på gallret så att du får cirkulerande värme. Detta lämpar sig utmärkt för att ugnstekta kyckling, lamm, nötkött eller fläskstek. Huvuven kan också användas som gryta för att värma såser, marinader, koka upp vatten eller koka ris eller pasta, m.m. Sätt huvuven upp-och-ner direkt på grytstativet.

Kokning: För detta matlagningssätt sätter du grytstativet i de därför avsedda utsparningarna i Värmeskölden. Se till att det sitter stadigt.

Placera en kastrull av lämplig storlek (minst 150 mm diameter, högst 230 mm diameter) eller

Safari Chef 2-Huvuven ovanpå grytstativet. Fettpannan är utformad så att den kan sättas ovanpå Huvuven för att kunna tjäna som lock till Huvuven när man kokar mat. En liter vatten kokar upp på ungefär 6 minuter, beroende på omständigheterna, grytstorlek, m.m. Märk: Tänk på att inte använda kastruller med plasthandtag när du använder kastrull i mindre storlek.



8. Rengöring

Matlagningssenheten

- För rengöring av Fettpannan, den Flata Pannan and Grillgallret, torka först bort eventuellt löst fett som finns kvar efter matlagningen, och diska sedan i varmt vatten med ett icke-skurande diskmedel.
- Huvuven rengörs genom att diska den i varmt vatten med ett icke-skurande diskmedel.
- Använd aldrig skurande rengöringsmedel på någon av delarna, eftersom detta skadar ytbehandlingen.
- Dessa delar kan utmärkt bra diskas i diskmaskin efter avlägsnande av kvarblivna fettrester.

Apparatkroppen / Benen

- Denna del bör helst rengöras med en mjuk fuktig trasa och ett mildt, icke-skurande rengöringsmedel. Sätt den inte i diskmaskinen, eftersom det kan medföra att det kommer in vatten i ventilen eller brännaröppningarna, vilket får apparaten att fungera dåligt.
- Grytstativet kan behöva tas av vid rengöring av apparatkroppen / benen. Det sker genom att lyfta ut grytstativet ur utsparningarna i värmeskölden.

9. Allmänt underhåll

- Ansvar för att underhålla denna apparat vilar helt och hållet på konsumenten fr.o.m. inköpsdatum.
- Denna apparat kräver inte regelbundet underhåll.
- Om apparaten har legat länge i förvaring, kolla lufthålen på undersidan och Venturirörets intag på sådant som insekter eller spindlar m.m. som kan inverka på gasflödet. Efter kontrollen måste alla delarna sättas tillbaka på sina rätta platser.
- Utbyte av tilltäppt munstycke:*
- Din Safari Chef 2 har ett munstycke av en viss storlek som reglerar korrekt gasmängd.
- Om hålet i munstycket blir tilltäppt, resulterar det i en liten eller obefintlig låga. Försök inte att rengöra munstycket med en nål eller liknande föremål eftersom detta kan skada mynningen och göra apparaten riskabel.
- **Byte av Munstycke:** Ta av Fettpannan (Fig. 9). Skruva försiktigt av brännarenheten (Fig. 10). Skruva ur de tre skruvarna ur värmesköldplattan och ta av Värmeskölden (Fig. 11). Se till att inte skada piezoelektroden. Munstycket kan nu tas ut med hjälp av en skruvnyckel av passande storlek (Fig. 12). Använd inte en tång på munstycket, eftersom det kan skada munstycket och göra det funktionellt eller omöjligt att ta ut. Skruva in det nya munstycket i ventilen. Skruva inte för hårt, då detta kan skada munstycket.
- Tillämpa ovanstående förfarande i omvänd ordning för att sätta ihop enheten igen.
- Byte av Slang:*
- Fastsättning av slang finns beskrivet i Avdelning 5 - Anslutning och Utbyte av Slang och Gasbehållare



Fig. 9

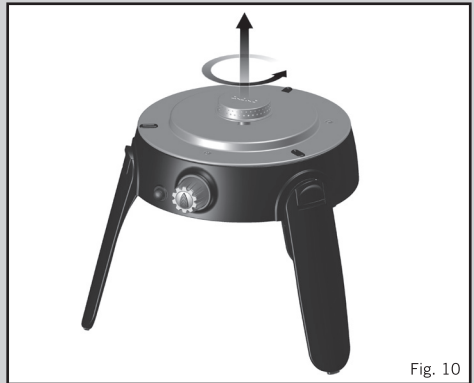


Fig. 10



Fig. 11

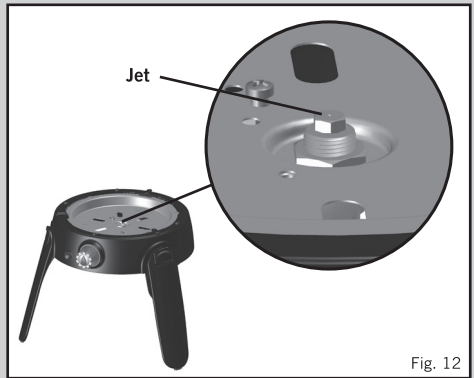


Fig. 12

10. Inlämning av apparaten för reparation eller service

- Modifiera inte apparaten, eftersom det kan vara riskabelt.
- Om du inte kan rätta till ett fel genom att följa dessa anvisningar, kontakta din lokala CADAC-försäljare för upplysningar om hur du kan lämna in produkten för översyn.
- Din CADAC Safari Chef 2 har en garanti från CADAC på två år som gäller tillverkningsfel.

11. Reservdelar och Tillbehör

- Använd alltid äkta CADAC reservdelar. De har utformats för att ge bästa funktionalitet.

Beskrivning	Del Nr.	Beskrivning	Del Nr.
Munstycke: 0.58mm (28/37mBar)	6540-SP001	Reglervrede	6540-SP007
Munstycke: 0.51mm (50mBar)	6540-SP013	Piezo-enhet	6540-SP008
Grillgaller	6540-SP002	Ben (Vänster / Höger)	6540-SP010
Flat panna	6540-SP004	Ben (Bak-)	6540-SP009
Grytstativ	6540-SP003	Transportpåse	6540-SP006
Brännarenhet	6540-SP005	Grillhuv	6540-SP011
Fettpanna	6540-SP017	Silikon-mellanlägg	6540-SP019
Lågtrycksventil	6540-SP016	Huvhandtag	6540-SP020



LIVE THE BRAAI LIFE

CADAC INTERNATIONAL

P.O. Box 43196,
Industria, 2042 South Africa
Tel: +27 11 470 6600
Fax: +27 11 472 9401
Email: info@cadac.co.za
www.cadac.co.za

CADAC CANADA

Hus-tek, 7 Circle Court,
Thornhill Ont, L3T 7M3
Tel: (905) 731-2660
Mobile: (647)298-6789
Email: soren@hus-tek.com

CADAC EUROPE

Ratio 26, 6921 RW Duiven
The Netherlands
Tel: +31 26 319 7740
Fax: +31 26 319 7743
Email: info@cadaceurope.nl
www.cadaceurope.com

CADAC GERMANY

Ratio 26, 6921 RW Duiven
The Netherlands
Tel: +31 26 319 7740
Fax: +31 26 317 7743
Email: info@cadaceurope.nl
www.cadaceurope.com

CADAC ZIMBABWE

Exclusive Brands Africa
Unit 8 Birkenhead Park
43 Josiah Chinamano Street
Belmont, Bulawayo
Tel/Fax: +263 971 740
(Bulawayo)
Tel/Fax: +263 479 2564
(Harare)
www.CADAC.co.zw

CADAC CHINA

Room 811, Huayen Inter-
national Building, No.255
Tianguo Road, South Yinzhou
business district,
Ningbo, China
Zip:315199
FAX:+86 574 87364160
TEL:+86 574 87723937
info@cadac.com.cn

CADAC AUSTRALIA

CADAC-BBQ Pty Ltd, Australia
Tel: +61 420 503 967
Customer Care: 1300 135 011
Fax: +61 755 728 682
Email: info@cadacbbq.com.au
www.CADACbbq.com.au

CADAC FRANCE

Le Viallon, 42520 Veranne
France
Tel: +33 4 74 78 13 65
Email : info@cadaceurope.nl
Web : www.cadaceurope.com

CADAC SCANDINAVIA

CIBA A/S
Industrivej 11
DK - 6640 Lunderskov
Tel: +45 76 31 44 45
Mobile: +45 29 47 44 40
Fax: +45 7558 6899
Email: LN@cibas.dk

CADAC NEW ZEALAND

Riverlea Group (Pty) Ltd
PO Box 11062, 11 Kells Place,
Hamilton 3251, New Zealand
Tel: +64 7 847 0204
Fax: +64 7 847 0205
Email: sales@riverleagroup.co.nz
http://www.riverleagroup.co.nz

CADAC CZECH

RÖSLER Praha spol. s r.o.
Výhradní zastoupení
pro ČR a SR
Elišky Junkové 1394/8, 102 00
Praha 10, Česká republika
Tel.: +420 267 188 011
Fax.: +420 272 651 046
E-mail: obchod@rosler.cz
www.rosler.cz

CADAC USA

16 Mt. Bethel Road - Ste 190
Warren, NJ 07059
Tel.: 908 604 0677
E-mail: Cadacusa@Yahoo.com
www.usa-cadac.com

CADAC SWITZERLAND

Dipius SA
Rte du Bleuët 7
CH-1762 Givisiez
Tel. +41 26 470 47 47
Fax. +41 26 470 47 40
Email: info@dipius.ch

CADAC MOZAMBIQUE

Exclusive Brands Africa
492 Avenida Namaacha
Maputo, Mozambique
Tel: +258 21 406254
www.CADAC.co.mz

CADAC ITALY

Brunner SRL/GMBH
Via B.Buozzi 8 /
B.Buozzi Strasse 8
I - 39100 Bolzano / Bozen
Tel: 0471/542931
Fax: 0471/542905
www.brunnerinternational.com

CADAC UK

1 Open Barn
Backridge Farm Business Centre
Twitter Lane, Bashall Eaves
Clitheroe, BB7 3LQ, UK
Tel: +44 333 200 0363
Fax: +44 333 200 0364
Email: info@cadacuk.com
www.cadac.uk.com

CADAC HONG KONG

Everything Under The Sun
902 Horizon Plaza, 2 Lee Wing
Street,
Ap Lei Chau, HK
Tel :+852 2554 9088
Fax: +852 2818 8595
Email:
craig@everythingunderthesun.
com.hk

CADAC SPAIN

Ratio 26, 6921 RW Duiven
The Netherlands
Tel: +31 26 319 7740
Fax: +31 26 319 7743
Email: info@cadaceurope.nl
www.cadaceurope.com

CADAC SOUTH EAST EUROPE

Budimska 3
11 000 Belgrade Serbia
Tel: +381 11 339 2700
Email: office@cadac.rs
www.CADAC.rs

CADAC KOREA

Suite 502 Pika Bldg.
Hogye-Dong, Anyang-Si,
Gyeonggi-Do, South Korea
Fax: +82 2 2179 9292
Tel: +82 31 427 5466
CADACKorea@gmail.com

CADAC ZAMBIA

Exclusive Brands Africa Limited
7225A Kachidza Road
Light Industrial Area
Lusaka, Zambia
Tel: +260 (0)969 515908
Email: info@ebagrp.com

CADAC UNITED ARAB EMIRATES

Picnico General Trading
PO Box 1797
Dubai
UAE
Tel. nr: +971 4 267 9992
Fax: +971 4 267 9940
Email: showroom@picnico.ae

