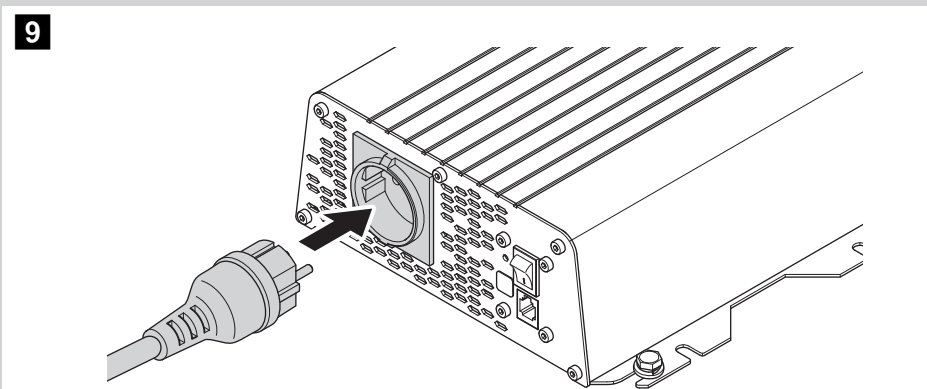
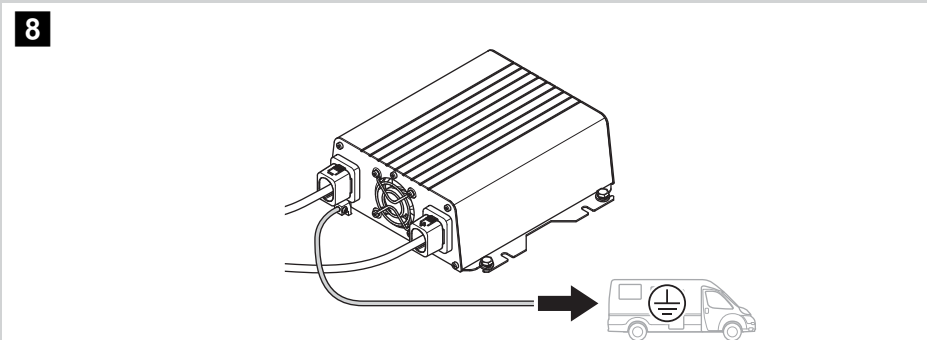
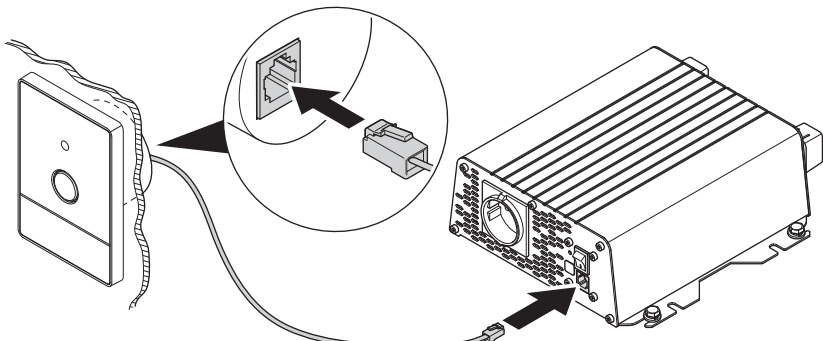


	bk	rd	bk	rd	bk	rd		
EN	Black	Red	NL	Zwart	Rood	PL	Czarny	Czerwony
DE	Schwarz	Rot	DA	Sort	Rød	SK	Čierna	Červená
FR	Noir	Rouge	SV	Svart	Röd	CS	Černá	Červená
ES	Negro	Rojo	NO	Svart	Rød	HU	Fekete	Piros
PT	Preto	Vermelho	FI	Musta	Punainen			
IT	Nero	Rosso	RU	Черный	Красный			

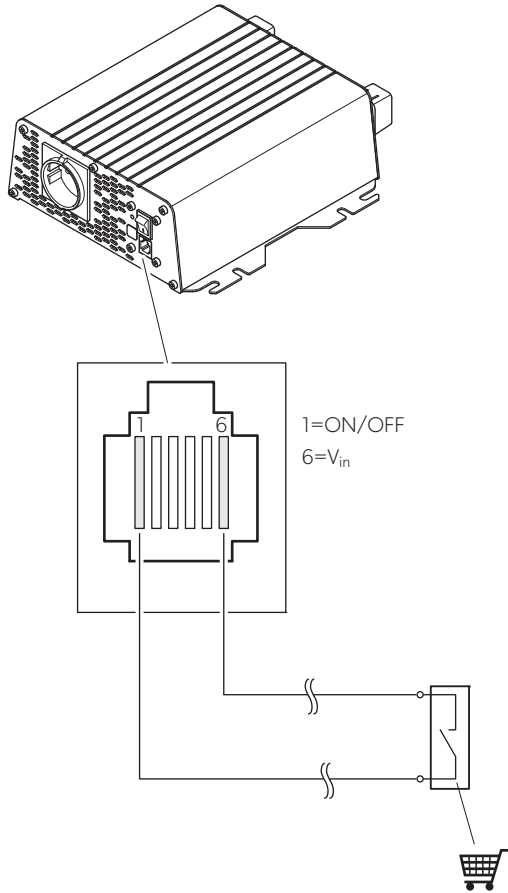




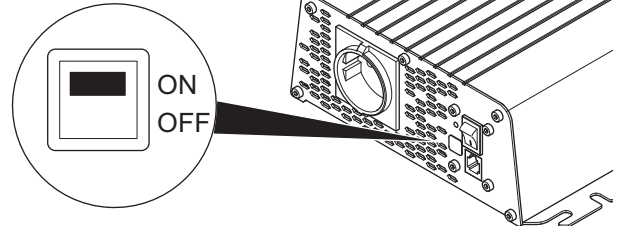
10



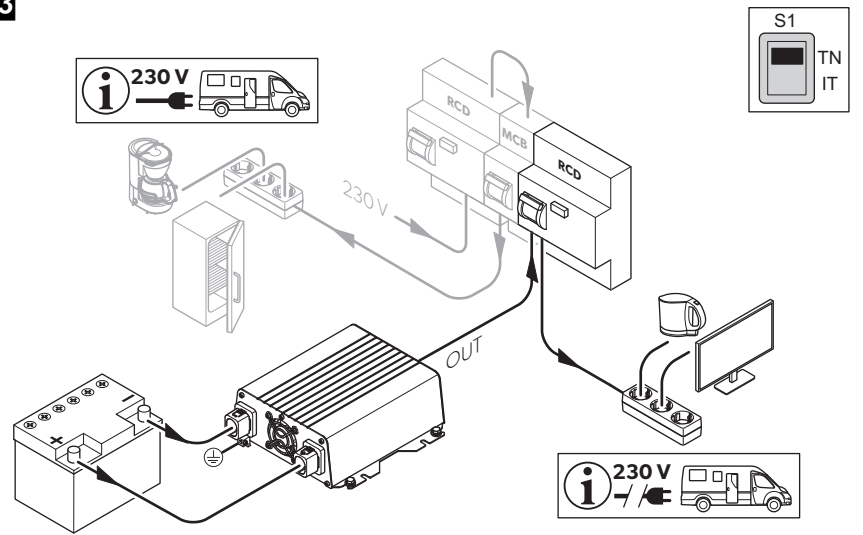
11



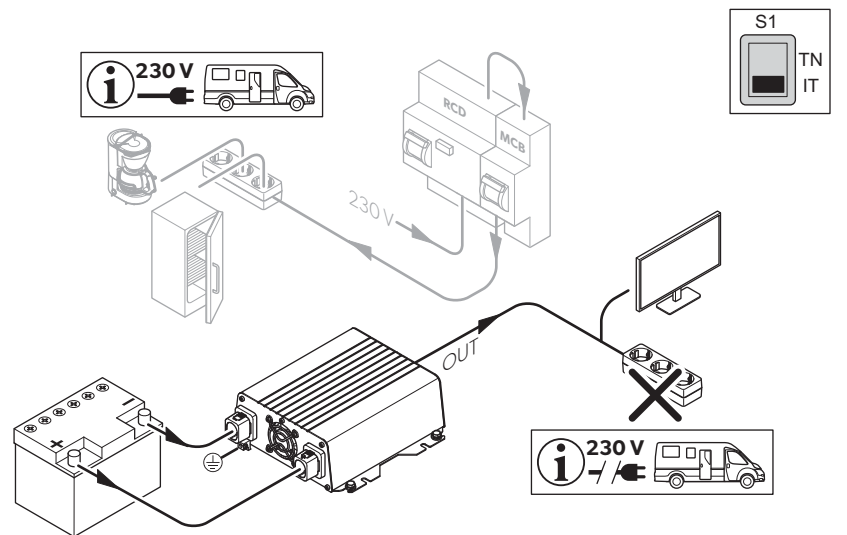
12



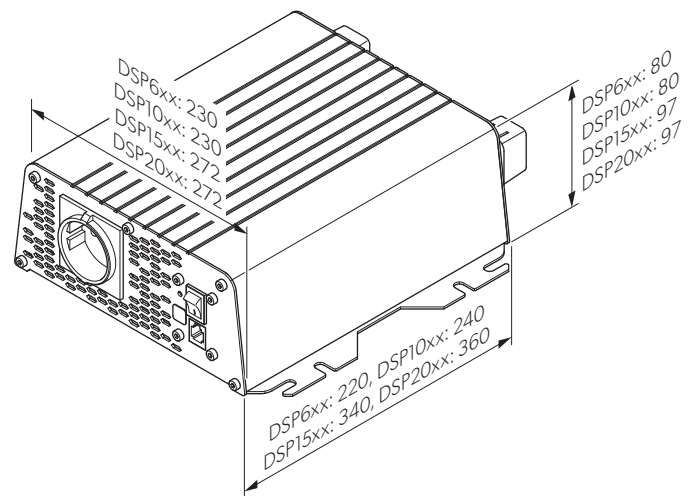
13



14



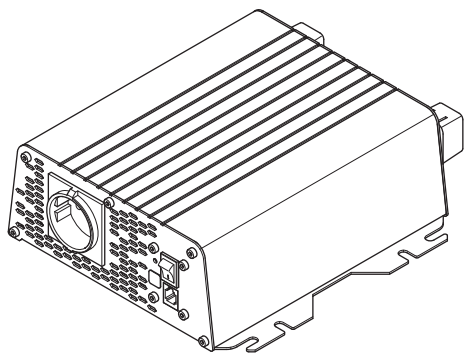
15



↔ DOMETIC

ENERGY & LIGHTING

SINEPOWER



DSP612, DSP624, DSP1012, DSP1024,
DSP1512, DSP1524, DSP2012, DSP2024

- | | |
|-----------|--|
| EN | Sine wave inverter
Installation and Operating Manual 3 |
| DE | Sinus-Wechselrichter
Montage- und Bedienungsanleitung 21 |
| FR | Onduleur sinusoïdal
Instructions de montage
et de service 40 |
| ES | Convertidor de ondas seno
Instrucciones de montaje y de uso 60 |
| PT | Conversor sinusoidal
Instruções de montagem e manual de
instruções 80 |
| IT | Inverter sinusoidale
Istruzioni di montaggio e d'uso 100 |
| NL | Sinus ondulator
Montagehandleiding en
gebruiksaanwijzing 120 |
| DA | Sinus ensretter
Monterings- og betjeningsvejledning . . . 139 |
| SV | Sinus växelriktare
Monterings- och bruksanvisning 157 |
| NO | Sinus vekselretter
Monterings- og bruksanvisning 175 |
| FI | Sinus -vaihtosuuntaaja
Asennus- ja käyttöohje 193 |
| RU | Синусоидальный инвертор
Инструкция по монтажу и эксплуатации 211 |
| PL | Przetwornica sinusoidalna
Instrukcja montażu i obsługi 232 |
| SK | Sínusový menič napätia
Návod na montáž a uvedenie
do prevádzky 252 |
| CS | Sínusový měnič
Návod k montáži a obsluze 270 |
| HU | Szinuszos inverter
Szerelési és használati útmutató 288 |

Please read this instruction manual carefully before installation and first use, and store it in a safe place. If you pass on the product to another person, hand over this instruction manual along with it.

Table of contents

1	Explanation of symbols	4
2	General safety instructions	4
3	Scope of delivery	7
4	Target group for this manual.	8
5	Intended use	8
6	Technical description	8
7	Fitting the inverter	10
8	Connecting the inverter	12
9	Using the inverter	14
10	Cleaning and caring for the inverter.	16
11	Troubleshooting	17
12	Warranty	18
13	Disposal	18
14	Technical data	18

1 Explanation of symbols

**DANGER!**

Safety instruction: Failure to observe this instruction will cause fatal or serious injury.

**WARNING!**

Safety instruction: Failure to observe this instruction can cause fatal or serious injury.

**NOTICE!**

Failure to observe this instruction can cause material damage and impair the function of the product.

**NOTE**

Supplementary information for operating the product.

2 General safety instructions

2.1 General safety

The manufacturer accepts no liability for damage in the following cases:

- Faulty assembly or connection
- Damage to the product resulting from mechanical influences and incorrect connection voltage
- Alterations to the product without express permission from the manufacturer
- Use for purposes other than those described in the operating manual

Note the following basic safety information when using electrical devices to protect against:

- Electric shock
- Fire hazards
- Injury

2.2 General safety



DANGER!

- In the event of fire, use a fire extinguisher which is suitable for electrical devices.



WARNING!

- Only use the device as intended.
- Ensure that the red and black terminals **never** come into contact.
- Disconnect the device from the power supply:
 - Before cleaning and maintenance
 - Before changing a fuse
- If you disassemble the device:
 - Detach all connections
 - Make sure that no voltage is present at any of the inputs and outputs
- The device may not be used if the device itself or the connection cable are visibly damaged.
- If this power cable for this device is damaged, it must be replaced by the manufacturer, customer service or a similarly qualified person in order to prevent safety hazards.
- This device may only be repaired by qualified personnel. Inadequate repairs may cause serious hazards.
- This device can be used by children aged 8 years or over, as well as by persons with diminished physical, sensory or mental capacities or a lack of experience and/or knowledge, providing they are supervised or have been taught how to use the device safely and are aware of the resulting risks.
- **Electrical devices are not toys.**
Always keep and use the appliance out of the reach of children.
- Children must be supervised to ensure that they do not play with the device.



NOTICE!

- Before start-up, check that the voltage specification on the type plate is the same as that of the power supply.
- Ensure that other objects **cannot** cause a short circuit at the contacts of the device.
- Never pull the plug out of the socket by the connection cable.

- Store the device in a dry and cool place.

2.3 Safety when installing the device



DANGER!

- Never mount the device anywhere where there is a risk of gas or dust explosion.



CAUTION!

- Ensure that the device is standing firmly.
The device must be set up and fastened in such a way that it cannot tip over or fall down.



NOTICE!

- Do not expose the device to a heat source (such as direct sunlight or heating). Avoid additional heating of the device in this way.
- Set up the device in a dry location where it is protected against splashing water.

2.4 Safety when connecting the device electronically



DANGER! Danger of electrocution

- If you are working on electrical systems, ensure that there is somebody close at hand who can help you in emergencies.



WARNING!

- Make sure that the lead has a sufficient cross-section.
- Lay the cables so that they cannot be damaged by the doors or the bonnet.
Crushed cables can lead to serious injury.



CAUTION!

- Lay the cables so that they cannot be tripped over or damaged.



NOTICE!

- Use ductwork or cable ducts if it is necessary to lay cables through metal panels or other panels with sharp edges.
- Do **not** lay the 230 V mains cable and the 12 V DC cable in the same duct.
- Do **not** lay the cable so that it is loose or heavily kinked.

- Fasten the cables securely.
- Do not pull on the cables.

2.5 Operating the device safely



DANGER! Danger of electrocution

- Do not touch exposed cables with your bare hands.



WARNING!

- Only use the device in closed, well-ventilated rooms.



CAUTION!

- Do **not** operate the device
 - In salty, wet or damp environments
 - In the vicinity of corrosive fumes
 - In the vicinity of combustible materials
 - In areas where there is a danger of explosions.
- Before starting the device, ensure that the power supply line and the plug are dry.
- Always disconnect the power supply when working on the device.
- Please observe that parts of the device may still conduct voltage even if the fuse has blown.
- Do not disconnect any cables when the device is still in use.



NOTICE!

- Make sure the air inlets and outlets of the device are not covered.
- Ensure good ventilation.

3 Scope of delivery

No. in fig. 1	Designation
1	Sine wave inverter
2	Remote control
3	Connection cable remote control
–	Operating manual

4 Target group for this manual

The electrical installation (chapter “Connecting the inverter” on page 12) is intended for professionals who are familiar with the applicable regulations of the country in which the equipment is to be installed and/or used.

All other chapters are intended for the users.

5 Intended use



WARNING!

Never use the inverter on vehicles where the positive terminal of the battery is connected to the chassis.

The wave inverter converts direct current into a 230 V AC supply of 50 Hz:

- **12 V DC** : DSP612, DSP1012, DSP1512, DSP2012
- **24 V DC** : DSP624, DSP1024, DSP1524, DSP2024

6 Technical description

The inverters can be operated wherever a DC connection is available:

- **12 V DC** : DSP612, DSP1012, DSP1512, DSP2012
- **24 V DC** : DSP624, DSP1024, DSP1524, DSP2024

The light-weight and compact construction of this device allows for easy installation in mobile homes, commercial vehicles or motor and sailing yachts.

The output voltage corresponds to the household voltage from the socket (pure sine wave, THD <5 %).

Please observe the values for constant output power and peak output power as indicated in chapter “Technical data” on page 18. Never connect devices that have a higher power requirement.



NOTE

Note when connecting devices with an electrical drive (such as power drills and refrigerators), that they often require more power than is indicated on the type plate.

The inverter has various protective mechanisms.

- **Overvoltage shutdown:** The inverter shuts itself off when the voltage exceeds the cut-off value. It restarts when the voltage returns to the restart value.
- **Undervoltage shutdown:** The inverter shuts itself off when the voltage sinks below the cut-off value. It restarts when the voltage rises to the restart value.
- **Excess temperature shutdown:** The inverter switches off when the temperature inside the device or the temperature on the cooling element exceeds a cut-off value. It restarts when the voltage rises to the restart value.
- **Overloading and short circuit shutdown:** The LED on the inverter indicates an operating fault when an excess load is connected or a short circuit has occurred.



NOTE

The individual values are found in the chapter “Technical data” on page 18.

The inverter can be operated in the following net configurations:

- **TN network:**
The neutral conductor of the inverter is grounded. A downstream safety switch (RCD) must be installed.
- **IT network:**
Both phases are insulated. This is suitable for operating one load. If more than one load will be connected a protection plan has to be set up (e. g. insulation monitor).

The net configuration is set via a DIP switch at the inverter.

The inverter can be switched with the remote control to an energy-saving mode to prevent the connected battery from discharging too quickly.

Using the remote control, the inverter can be turned on or off and switched to the energy-saving mode.

6.1 Control elements

No. in fig. 2	Description	Description
1	Main switch	Switches the device on or off
2	Status LED	See chapter “Status indications” on page 14
3	Dip switch	Sets the net configuration

6.2 Connections



NOTE

The version for continental Europe is depicted.

No. in fig. 2	Description
4	AC outlet
5	Remote control connection
6	DC connection
7	Ground terminal (Earthing on the vehicle bodywork)
8	Fan

6.3 Remote control

No. in fig. 3	Description
1	On/off button
2	Status LED
3	Terminal for remote control

7 Fitting the inverter

7.1 Tools required

For the **electrical connection** you will need the following tools:

- Crimping tool
- 3 multi-coloured, flexible connection cables. Determine the necessary thickness from the table in chapter "Connecting the inverter" on page 12.
- Cable lugs and conductor sleeves

For **fastening** you will require the following tools:

- Machine bolts (M4) with washers and self-locking nuts or
- self-tapping screws or wood screws

7.2 Mounting instructions

When selecting the installation location, observe the following instructions:

- The inverter can be mounted horizontally or vertically.
- The inverter must be installed in a place that is protected from moisture.
- The inverter may not be installed in the presence of flammable materials.
- The inverter may not be installed in a dusty environment.
- The place of installation must be well ventilated. A ventilation system must be available for installations in small, enclosed spaces. The minimum clearance around the inverter must be at least 5 cm (fig. **4**).
- The air intake on the back or the air outlet on the front of the inverter must remain clear.
- For ambient temperatures higher than 40 °C (such as in engine or heating compartments, or direct sunlight), the inverter may shut down although the connected load is below the rated load (derating).
- The device must be installed on a level and sufficiently sturdy surface.



NOTICE!

Before drilling any holes, make sure that no electrical cables or other parts of the vehicle can be damaged by drilling, sawing and filing.

7.3 Mounting the inverter

- Mount the inverter as shown (fig. **5**).

7.4 Mounting the remote control

- Mount the remote control as shown (fig. **6**).
- Remove the protective film.

8 Connecting the inverter

8.1 General instructions



WARNING!

- The inverter may only be connected by a qualified workshop. The following information is intended for technicians who are familiar with the guidelines and safety precautions to be applied.
- **Never** use the inverter on vehicles where the positive terminal of the battery is connected to the chassis.
- If you do not fit a fuse to the **positive cable**, the cables can overload, which might result in a fire.

- When installed in vehicles or boats, the inverter must be connected to the chassis or earth.
- When setting up a socket distribution circuit (mains setup), comply with the applicable regulations.
- Only use copper cables.
- Keep the DC cables as short as possible (< 1 m).
- Keep to the specified cable cross section and fit a cable fuse (fig. **7** 1) as close to the battery as possible on the positive cable (see the table).

Device	Required cable cross section	Cable fuse
DSP612	25 mm ²	150 A
DSP624	25 mm ²	150 A
DSP1012	35 mm ²	200 A
DSP1024	25 mm ²	150 A
DSP1512	50 mm ²	250 A
DSP1524	25 mm ²	150 A
DSP2012	70 mm ²	300 A
DSP2024	35 mm ²	200 A

8.2 Connecting the inverter



NOTICE!

- Make sure that you do not reverse the polarity. Incorrect polarity can damage the inverter.
- Make sure that the inverter is operated with the following voltage only:
 - DSP612, DSP1012, DSP1512, DSP2012: 12 V ---
 - DSP624, DSP1024, DSP1524, DSP2024: 24 V ---



NOTE

Tighten the nuts and bolts to a maximum torque of 15 Nm. Loose connections may cause overheating.

- Connect the inverter as shown:
 - Connecting the battery: fig. **7**
 - Connecting the ground terminal fig. **8**
 - Connecting the 230 V output cable: fig. **9**

8.3 Connecting the remote control



NOTICE!

Only plug in the connection to the remote control in the remote port. The device can be damaged by connecting it incorrectly.

- Connect the remote control as shown (fig. **10**).

8.4 Connecting external switch (accessories)



NOTE

When using an external switch, you cannot change the status of energy saving mode.

- Close an external switch as shown (fig. **11**).

9 Using the inverter

9.1 Switching on the inverter

- ▶ Set the main switch (fig. **2** 1) of the inverter as follows.
 - “0”: Inverter completely switched off
 - “I”: Standard operation
 - “II”: Operation via remote control
- ✓ The inverter performs a self-test.
- ✓ After the self-test is completed successfully, the status LED (fig. **2** 2) indicates the operation mode:
 - Constantly lit: Normal mode activated
 - Flashes four times: Energy-saving mode activated

9.2 Status indications

The LED (fig. **2** 2) shows the operating condition of the inverter.

Display	Input voltage
Constantly lit	Normal mode
Long flash, short interruption	Inverter overheated/Overload
Quick flash	Overvoltage/Undervoltage
Off	Other fault

The inverter switches off if:

- The battery voltage drops below 10 V (12 V \Rightarrow connection) or 20 V (24 V \Rightarrow connection).
- The battery voltage exceeds 16 V (12 V \Rightarrow connection) or 32 V (24 V \Rightarrow connection).
- The inverter is overloaded.
- The inverter overheats.

In case of shutdown due to overvoltage or undervoltage the inverter restarts when the set voltage value is reached.

In case of shutdown due to overload or overheating proceed as follows:

- ▶ Shut down the inverter with the main switch (fig. **2** 1).

- Check that the inverter is sufficiently ventilated and that the ventilation grilles are unimpeded.
- Wait 5 – 10 minutes and switch the inverter on again without any electric consumers.

9.3 Switching to energy-saving mode



NOTE

- The inverter automatically switches to normal operation when a load over 45 W is connected.
- If an external switch is connected, you cannot change the energy saving mode.

Activating energy saving mode

- If necessary, switch the inverter off.
- Press the on/off button (fig. **3** 1) of the remote control until the status LED (fig. **3** 2) of the remote control has flashed six times.
- ✓ Then the status LED (fig. **3** 2) of the remote control flashes every 5 seconds.
- ✓ Energy saving mode is activated.

Deactivating energy saving mode

- Switch the inverter off.
- Press the on/off button (fig. **3** 1) of the remote control until the status LED (fig. **3** 2) of the remote control goes on constantly.
Before the status LED goes on constantly, it indicates that energy saving mode will be switched off by an interval of flashing four times followed by flashing six times.
- ✓ Normal mode is activated.

9.4 Configuring the net configuration



DANGER!

Changing the net configuration results in risk of lethal injury. The dip switch must only be set by qualified personnel. Remove the the dip switch's protection cap for configuring only. Insert the protection cap to prevent switching the dip switch's setting.

Using the dip switch you can define in which net configuration the inverter shall operate.

Parameter	Dip switch
TN grid An external downstream circuit breaker (RCD) is necessary.	On
IT grid Operation with one load only or installation of an external insulation monitor. National standards shall apply!	Off

10 Cleaning and caring for the inverter



NOTICE!

Do not use sharp or hard objects or cleaning agents for cleaning as these may damage the product.

- Occasionally clean the product with a damp cloth.

11 Troubleshooting



WARNING!

Do not open the device. You risk sustaining an electric shock by doing this.



NOTE

If you have detailed questions on the **specifications of the inverter** please contact the manufacturer (addresses on the back of the instruction manual).

The LED (fig. **2** 2) indicates the fault:

LED display	Cause	Remedy
Quick flash	Input voltage is too high	Check the input voltage and reduce it.
	Input voltage too low	The battery needs recharging. Check the cables and connections.
2 s lit, short interruption	Overheating	Switch off the inverter and the consumer. Wait 5 to 10 minutes and switch the inverter on again without any electric consumers. Reduce the load and make sure the inverter has better ventilation. Then switch the consumer back on.
	Excessive load	Switch off the inverter and remove the consumer. Then switch the inverter back on without the consumer. If no excessive load is now shown, then there is a short circuit in the consumer or the total load was higher than the power specified on the data sheet. Check the cables and connections.
Off	Other fault	Contact the service.

12 Warranty

The statutory warranty period applies. If the product is defective, please contact the manufacturer's branch in your country (see the back of the instruction manual for the addresses) or your retailer.

For repair and guarantee processing, please include the following documents when you send in the device:

- A copy of the receipt with purchasing date
- A reason for the claim or description of the fault

13 Disposal



- Place the packaging material in the appropriate recycling waste bins wherever possible.



If you wish to finally dispose of the product, ask your local recycling centre or specialist dealer for details about how to do this in accordance with the applicable disposal regulations.

14 Technical data

The following technical data applies to all inverters:

Output voltage:	230 V~ ± 10 %, pure sine wave (THD <5 %)
Output frequency:	50 Hz ± 0,5 Hz
Efficiency:	>90 %
Heat dissipation:	temperature and load controlled fan
Ambient temperature at operation:	0 °C to +50 °C
Ambient temperature for storage:	-30 °C to +70 °C
Air humidity:	0 – 95 %, non-condensing
Testing/certification:	 

	DSP612	DSP 1012	DSP624	DSP 1024
Ref. no.:	9600002543 9600003597	9600002545 9600003599	9600002544 9600003598	9600002546 9600003600
Rated input voltage:	12 V \equiv		24 V \equiv	
Input voltage range:	10 – 16.5 V \equiv		20 – 33 V \equiv	
Rated load:	600 W	1000 W	600 W	1000 W
Maximum power for 1 min:	690 W	1150 W	690 W	1150 W
Surge power for 1 s:	1200 W	2000 W	1200 W	2000 W
Idle current consumption at rated voltage:	<0.8 A	<1.0 A	<0.5 A	<0.6 A
Standby current consumption:	<0.3 A	<0.35 A	<0.2 A	<0.2 A
Dimensions W x L x H:	fig. 15			
Weight:	2.8 kg	3.1 kg	2.8 kg	3.1 kg

	DSP1512	DSP 2012	DSP1524	DSP 2024
Ref. no.:	9600002547 9600003601	9600002549 9600003603 9600002561	9600002548 9600003602	9600002550 9600003604 9600002562
Rated input voltage:	12 V \equiv		24 V \equiv	
Input voltage range:	10 – 16.5 V \equiv		20 – 33 V \equiv	
Rated load:	1500 W	2000 W	1500 W	2000 W
Maximum power for 1 min:	1725 W	2300 W	1725 W	2300 W
Surge power for 1 s:	3000 W	4000 W	3000 W	4000 W
Idle current consumption at rated voltage:	<1.2 A	<1.5 A	<0.6 A	<0.8 A
Standby current consumption:	<0.4 A	<0.5 A	<0.25 A	<0.3 A
Dimensions W x L x H:	fig. 15			
Weight:	4.9 kg	5.2 kg	4.9 kg	5.2 kg

Protective devices

	12 V	24 V
Input:	Undervoltage, reverse polarity (internal fuse)	
AC output:	Overvoltage, short circuit, overload	
Temperature:	Shutdown	
Short circuit protection:	Yes, Ipk	

Overvoltage shutdown

Device	Overvoltage	
	Shutdown	Restart
DSP612, DSP1012, DSP1512, DSP2012	16.5 V	15.5 V
DSP624, DSP1024, DSP1524, DSP2024	33 V	31 V

Undervoltage shutdown

Device	Undervoltage	
	Shutdown	Restart
DSP612, DSP1012, DSP1512, DSP2012	10 V	12 V
DSP624, DSP1024, DSP1524, DSP2024	20 V	24 V

For the current EU declaration of conformity for your device please refer to the respective product page on dometic.com or contact the manufacturer directly (see back page).

Bitte lesen Sie diese Anleitung vor Einbau und Inbetriebnahme sorgfältig durch und bewahren Sie sie auf. Geben Sie sie im Falle einer Weitergabe des Produktes an den Nutzer weiter.

Inhaltsverzeichnis

1	Erklärung der Symbole	22
2	Allgemeine Sicherheitshinweise	22
3	Lieferumfang	26
4	Zielgruppe dieser Anleitung	26
5	Bestimmungsgemäßer Gebrauch	26
6	Technische Beschreibung	27
7	Wechselrichter montieren	29
8	Wechselrichter anschließen	30
9	Wechselrichter benutzen	32
10	Wechselrichter pflegen und reinigen	35
11	Fehlerbeseitigung	36
12	Gewährleistung	37
13	Entsorgung	37
14	Technische Daten	37

1 Erklärung der Symbole

**GEFAHR!**

Sicherheitshinweis: Nichtbeachtung führt zu Tod oder schwerer Verletzung.

**WARNUNG!**

Sicherheitshinweis: Nichtbeachtung kann zu Tod oder schwerer Verletzung führen.

**ACHTUNG!**

Nichtbeachtung kann zu Materialschäden führen und die Funktion des Produktes beeinträchtigen.

**HINWEIS**

Ergänzende Informationen zur Bedienung des Produktes.

2 Allgemeine Sicherheitshinweise

2.1 Allgemeine Sicherheit

Der Hersteller übernimmt in folgenden Fällen keine Haftung für Schäden:

- Montage- oder Anschlussfehler
- Beschädigungen am Produkt durch mechanische Einflüsse und falsche Anschlussspannung
- Veränderungen am Produkt ohne ausdrückliche Genehmigung vom Hersteller
- Verwendung für andere als die in der Anleitung beschriebenen Zwecke

Beachten Sie folgende grundsätzliche Sicherheitsmaßnahmen beim Gebrauch von Elektrogeräten zum Schutz vor:

- elektrischem Schlag
- Brandgefahr
- Verletzungen

2.2 Grundlegende Sicherheit



GEFAHR!

- Verwenden Sie im Falle eines Feuers einen Feuerlöscher, der für Elektrogeräte geeignet ist.



WARNUNG!

- Benutzen Sie das Produkt nur zu seinem bestimmungsgemäßen Gebrauch.
- Achten Sie darauf, dass sich **nie** die rote und die schwarze Klemme berühren.
- Trennen Sie das Produkt von der Spannungsversorgung
 - vor jeder Reinigung und Pflege
 - vor einem Sicherungswechsel
- Falls Sie das Produkt demontieren:
 - Lösen Sie alle Verbindungen.
 - Stellen Sie sicher, dass alle Ein- und Ausgänge spannungsfrei sind.
- Wenn das Produkt oder das Anschlusskabel sichtbare Beschädigungen aufweisen, dürfen Sie das Produkt nicht in Betrieb nehmen.
- Wenn das Anschlusskabel dieses Produktes beschädigt wird, muss es durch den Hersteller, seinen Kundendienst oder eine ähnlich qualifizierte Person ersetzt werden, um Gefährdungen zu vermeiden.
- Reparaturen an diesem Produkt dürfen nur von Fachkräften durchgeführt werden. Durch unsachgemäße Reparaturen können erhebliche Gefahren entstehen.
- Dieses Produkt kann von Kindern ab 8 Jahren und darüber sowie von Personen mit verringerten physischen, sensorischen oder mentalen Fähigkeiten oder Mangel an Erfahrung und Wissen benutzt werden, wenn sie beaufsichtigt oder bezüglich des sicheren Gebrauchs des Produktes unterwiesen wurden und die daraus resultierenden Gefahren verstehen.
- **Elektrogeräte sind kein Kinderspielzeug!**
Verwahren und benutzen Sie das Produkt außerhalb der Reichweite von Kindern.
- Kinder sollten beaufsichtigt werden, um sicherzustellen, dass sie nicht mit dem Produkt spielen.

**ACHTUNG!**

- Vergleichen Sie vor der Inbetriebnahme die Spannungsangabe auf dem Typenschild mit der vorhandenen Energieversorgung.
- Achten Sie darauf, dass andere Gegenstände **keinen** Kurzschluss an den Kontakten des Produktes verursachen.
- Ziehen Sie den Stecker nie am Anschlusskabel aus der Steckdose.
- Lagern Sie das Produkt an einem trockenen und kühlen Ort.

2.3 Sicherheit bei der Montage des Produktes

**GEFAHR!**

- Montieren Sie das Produkt nicht in Bereichen, in denen die Gefahr einer Gas- oder Staubexplosion besteht.

**VORSICHT!**

- Achten Sie auf einen sicheren Stand!
Das Produkt muss so sicher aufgestellt und befestigt werden, dass es nicht umstürzen oder herabfallen kann.

**ACHTUNG!**

- Setzen Sie das Produkt keiner Wärmequelle (Sonneneinstrahlung, Heizung usw.) aus. Vermeiden Sie so zusätzliche Erwärmung des Produktes.
- Stellen Sie das Produkt an einem trockenen und gegen Spritzwasser geschützten Platz auf.

2.4 Sicherheit beim elektrischen Anschluss des Produktes

**GEFAHR! Lebensgefahr durch Stromschlag!**

- Wenn Sie an elektrischen Anlagen arbeiten, stellen Sie sicher, dass jemand in der Nähe ist, um Ihnen im Notfall helfen zu können.

**WARNUNG!**

- Achten Sie auf einen ausreichenden Leitungsquerschnitt.
- Verlegen Sie die Leitungen so, dass sie nicht durch Türen oder Motorhauben beschädigt werden.
Eingequetschte Kabel können zu lebensgefährlichen Verletzungen führen.

**VORSICHT!**

- Verlegen Sie die Leitungen so, dass keine Stolpergefahr entsteht und eine Beschädigung des Kabels ausgeschlossen ist.

**ACHTUNG!**

- Benutzen Sie Leerrohre oder Leitungsdurchführungen, wenn Leitungen durch Blechwände oder andere scharfkantige Wände geführt werden müssen.
- Verlegen Sie die Wechselstromleitung und Gleichstromleitung **nicht** im gleichen Kabelkanal (Leerrohr).
- Verlegen Sie Leitungen **nicht** lose oder scharf abgeknickt.
- Befestigen Sie die Leitungen gut.
- Ziehen Sie nicht an Leitungen.

2.5 Sicherheit beim Betrieb des Produktes

**GEFAHR! Lebensgefahr durch Stromschlag!**

- Fassen Sie nie mit bloßen Händen an blanke Leitungen.

**WARNUNG!**

- Benutzen Sie das Produkt ausschließlich in geschlossenen, gut belüfteten Räumen.

**VORSICHT!**

- Betreiben Sie das Produkt **nicht**
 - in salzhaltiger, feuchter oder nasser Umgebung
 - in der Nähe von aggressiven Dämpfen
 - in der Nähe brennbarer Materialien
 - in explosionsgefährdeten Bereichen
- Achten Sie vor der Inbetriebnahme darauf, dass Zuleitung und Stecker trocken sind.
- Unterbrechen Sie bei Arbeiten am Produkt immer die Stromversorgung.
- Beachten Sie, dass auch nach Auslösen der Schutzeinrichtung (Sicherung) Teile des Produktes unter Spannung bleiben können.
- Lösen Sie keine Kabel, wenn das Produkt noch in Betrieb ist.

**ACHTUNG!**

- Achten Sie darauf, dass Luftein- und ausgänge des Produktes nicht verdeckt werden.
- Achten Sie auf gute Belüftung.

3 Lieferumfang

Pos. in Abb. 1	Bezeichnung
1	Sinus Wechselrichter
2	Fernbedienung
3	Anschlusskabel Fernbedienung
–	Bedienungsanleitung

4 Zielgruppe dieser Anleitung

Das Kapitel „Wechselrichter anschließen“ auf Seite 30 wendet sich ausschließlich an Fachleute, die mit den entsprechenden VDE-Richtlinien vertraut sind.

Alle übrigen Kapitel wenden sich auch an die Benutzer des Gerätes.

5 Bestimmungsgemäßer Gebrauch

**WARNUNG!**

Der Wechselrichter darf nicht in Fahrzeugen eingesetzt werden, bei denen der Plus-Pol der Batterie mit dem Chassis verbunden ist.

Die Wechselrichter dienen dazu, Gleichspannung in eine 230-V-Wechselspannung von 50 Hz zu wandeln:

- **12 V**: DSP612, DSP1012, DSP1512, DSP2012
- **24 V**: DSP624, DSP1024, DSP1524, DSP2024

6 Technische Beschreibung

Die Wechselrichter lassen sich überall dort betreiben, wo ein DC-Anschluss vorhanden ist.

- **12 V**: DSP612, DSP1012, DSP1512, DSP2012
- **24 V**: DSP624, DSP1024, DSP1524, DSP2024

Durch das geringe Gewicht und die kompakte Bauweise lässt sich dieses Gerät problemlos in Reisemobilen, Nutzfahrzeugen oder Motor- und Segelyachten einbauen.

Die Ausgangsspannung entspricht der Haushaltsspannung aus der Steckdose (reine Sinusspannung, Klirrfaktor <5 %).

Bitte beachten Sie die Werte für Dauer-Ausgangsleistung und Spitzen-Ausgangsleistung, wie sie im Kapitel „Technische Daten“ auf Seite 37 angegeben sind. Geräte, die einen höheren Leistungsbedarf haben, dürfen nicht angeschlossen werden.



HINWEIS

Beachten Sie beim Anschluss von Geräten mit elektrischem Antrieb (z. B. Bohrmaschine, Kühlschrank usw.), dass diese zum Anlaufen oft eine höhere Leistung benötigen, als auf dem Typenschild angegeben.

Der Wechselrichter besitzt verschiedene Schutzmechanismen:

- **Überspannungs-Schutz:** Der Wechselrichter schaltet ab, wenn der Spannungswert über den Abschalt-Wert steigt. Er startet wieder, wenn die Spannung auf den Neustart-Wert sinkt.
- **Unterspannungs-Schutz:** Der Wechselrichter schaltet ab, wenn der Spannungswert unter den Abschalt-Wert sinkt. Er startet wieder, wenn die Spannung auf den Neustart-Wert steigt.
- **Übertemperatur-Schutz:** Der Wechselrichter schaltet ab, wenn die Temperatur innerhalb des Gerätes oder die Temperatur an dem Kühlkörper einen Abschalt-Wert übersteigt. Er startet wieder, wenn die Spannung auf den Neustart-Wert steigt.
- **Überlast-Schutz und Schutz vor Kurzschluss:** Die LED am Wechselrichter meldet eine Betriebsstörung, wenn eine zu große Last angeschlossen ist oder ein Kurzschluss erzeugt wurde.



HINWEIS

Die einzelnen Schaltwerte finden Sie im Kapitel „Technische Daten“ auf Seite 37.

Der Wechselrichter kann in folgenden Netzformen betrieben werden:

- **TN-Netz:**
Der Neutralleiter des Wechselrichters ist mit Masse verbunden. Ein nachgelagerter FI-Schutzschalter muss installiert sein.
- **IT-Netz:**
Beide Phasen sind isoliert. Dies ist geeignet für den Betrieb eines Verbrauchers. Falls mehr als ein Verbraucher angeschlossen werden, muss ein Schutzkonzept entworfen werden (z. B. Isolationswächter).

Die Netzform wird über einen DIP-Schalter am Wechselrichter konfiguriert.

Der Wechselrichter kann mit der Fernbedienung in einen Energiesparmodus geschaltet werden, damit die angeschlossene Batterie nicht zu schnell entlädt.

Mit einer Fernbedienung kann der Wechselrichter ein- und ausgeschaltet sowie der Energiesparmodus eingeschaltet werden.

6.1 Bedienelemente

Pos. in Abb. 2	Bezeichnung	Beschreibung
1	Hauptschalter	Schaltet das Gerät ein oder aus
2	Status-LED	Siehe Kapitel „Betriebsanzeigen“ auf Seite 33
3	DIP-Schalter	Stellt die Netzform ein

6.2 Anschlüsse



HINWEIS

Abgebildet ist die Version für Kontinentaleuropa.

Pos. in Abb. 2	Beschreibung
4	Wechselstromsteckdose
5	Anschluss für Fernbedienung
6	Gleichstrom-Anschluss
7	Masseklemme (Erdung an der Fahrzeugkarosserie)
8	Lüfter

6.3 Fernbedienung

Pos. in Abb. 3	Bezeichnung
1	Ein-/Ausschalter
2	Status-LED
3	Anschluss für Fernbedienung

7 Wechselrichter montieren

7.1 Benötigtes Werkzeug

Für den **elektrischen Anschluss** benötigen Sie folgende Hilfsmittel:

- Krimpzange
- 3 verschiedenfarbige flexible Anschlusskabel. Den erforderlichen Querschnitt entnehmen Sie der Tabelle im Kapitel „Wechselrichter anschließen“ auf Seite 30.
- Kabelschuhe und Aderendhülsen

Für die **Befestigung** des Wechselrichters benötigen Sie folgende Montagemittel:

- Maschinenschrauben (M4) mit Unterlegscheiben und selbstsichernden Muttern oder
- Blech- bzw. Holzschrauben

7.2 Montagehinweise

Beachten Sie bei der Wahl des Montageortes folgende Hinweise:

- Die Montage des Wechselrichters kann horizontal wie auch vertikal erfolgen.
- Der Wechselrichter muss an einer vor Feuchtigkeit geschützten Stelle eingebaut werden.
- Der Wechselrichter darf nicht in Umgebungen mit entflammaren Materialien eingebaut werden.
- Der Wechselrichter darf nicht in staubigen Umgebungen eingebaut werden.
- Der Einbauort muss gut belüftet sein. Bei Installationen in geschlossenen kleinen Räumen sollte eine Be- und Entlüftung vorhanden sein. Der freie Mindestabstand um den Wechselrichter muss mindestens 5 cm betragen (Abb. **4**).

- Der Lufteintritt auf der Rückseite bzw. der Luftaustritt auf der Vorderseite des Wechselrichters muss frei bleiben.
- Bei Umgebungstemperaturen, die höher als 40 °C (z. B. in Motor- oder Heizungsräumen, direkte Sonneneinstrahlung) sind, kann der Wechselrichter abschalten, obwohl die Leistung der angeschlossenen Verbraucher unter der Nennlast liegt (Derating).
- Die Montagefläche muss eben sein und eine ausreichende Festigkeit aufweisen.



ACHTUNG!

Bevor Sie irgendwelche Bohrungen vornehmen, stellen Sie sicher, dass keine elektrischen Kabel oder andere Teile des Fahrzeugs durch Bohren, Sägen und Feilen beschädigt werden.

7.3 Wechselrichter montieren

- Montieren Sie den Wechselrichter wie dargestellt (Abb. **5**).

7.4 Fernbedienung montieren

- Montieren Sie die Fernbedienung wie dargestellt (Abb. **6**).
- Entfernen Sie die Schutzfolie.

8 Wechselrichter anschließen

8.1 Allgemeine Hinweise



WARNUNG!

- Der Anschluss des Wechselrichters darf ausschließlich von entsprechend ausgebildeten Fachbetrieben durchgeführt werden. Die nachfolgenden Informationen richten sich an Fachkräfte, die mit den anzuwendenden Richtlinien und Sicherheitsvorkehrungen vertraut sind.
- Bei Fahrzeugen, bei denen der Plus-Pol der Batterie mit dem Chassis verbunden ist, darf der Wechselrichter **nicht** eingesetzt werden.
- Wenn Sie keine Sicherung in die **Plus-Leitung** der Batterie setzen, können die Leitungen überlastet werden, und es kann zu einem Brand kommen.

- Der Wechselrichter muss bei Installationen in Fahrzeugen oder Booten mit dem Chassis bzw. der Masse verbunden sein.
- Halten Sie beim Aufbau eines Steckdosenverteilerkreises (Netzaufbau) die Vorschriften der VDE 0100 ein.
- Verwenden Sie ausschließlich Kupferkabel.
- Halten Sie die Gleichspannungskabel so kurz wie möglich (< 1 m).
- Halten Sie den erforderlichen Kabelquerschnitt ein und setzen Sie eine Kabelsicherung (Abb. **7** 1) möglichst nah an der Batterie in die Plus-Leitung (siehe Tabelle).

Gerät	Erforderlicher Kabelquerschnitt	Kabelsicherung
DSP612	25 mm ²	150 A
DSP624	25 mm ²	150 A
DSP1012	35 mm ²	200 A
DSP1024	25 mm ²	150 A
DSP1512	50 mm ²	250 A
DSP1524	25 mm ²	150 A
DSP2012	70 mm ²	300 A
DSP2024	35 mm ²	200 A

8.2 Wechselrichter anschließen



ACHTUNG!

- Achten Sie darauf, dass die Polarität nicht vertauscht wird. Falsche Polarität kann den Wechselrichter beschädigen.
- Beachten Sie, dass der Wechselrichter nur mit folgender Spannung betrieben werden darf:
 - DSP612, DSP1012, DSP1512, DSP2012: 12 V_{DC}
 - DSP624, DSP1024, DSP1524, DSP2024: 24 V_{DC}



HINWEIS

Ziehen Sie die Schrauben oder Muttern mit einem Drehmoment von max. 15 Nm fest. Lose Verbindungen können zu Überhitzungen führen.

- Schließen Sie den Wechselrichter an wie dargestellt:
 - Batterie anschließen: Abb. **7**
 - Masseklemme anschließen: Abb. **8**
 - 230-V-Ausgangsleitung anschließen: Abb. **9**

8.3 Fernbedienung anschließen



ACHTUNG!

Stecken Sie den Anschluss zur Fernbedienung nur in den Remote-Port. Durch falsches Anschließen kann das Gerät beschädigt werden.

- Schließen Sie die Fernbedienung an wie dargestellt (Abb. **10**).

8.4 Externen Schalter anschließen (Zubehör)



HINWEIS

Wenn Sie eine externennutzung eines externen Schalters, können Sie den Zustand des Standby modus nicht verändern

- Schließen Sie einen externen Schalter an wie dargestellt (Abb. **11**).

9 Wechselrichter benutzen

9.1 Wechselrichter einschalten

- Stellen Sie den Hauptschalter (Abb. **2** 1) des Wechselrichters wie folgt ein:
 - „0“: Wechselrichter komplett ausgeschaltet
 - „I“: Normalbetrieb
 - „II“: Betrieb über Fernbedienung
- ✓ Der Wechselrichter führt einen Selbsttest durch.
- ✓ Nach dem erfolgreichen Selbsttest zeigt die Status-LED (Abb. **2** 2) den Betriebszustand an:
 - leuchtet konstant: Normalmodus aktiviert
 - blinkt viermal: Energiesparmodus aktiviert

9.2 Betriebsanzeigen

Die LED (Abb. **2** 2) zeigt den Betriebszustand des Wechselrichters an.

Anzeige	Eingangsspannung
Dauerleuchten	Normalbetrieb
Langes Blinken, kurze Unterbrechung	Wechselrichter überhitzt/Überlastung
Schnelles Blinken	Überspannung/Unterspannung
Aus	Anderer Fehler

Der Wechselrichter schaltet sich ab, wenn:

- Die Batteriespannung sinkt unter 10 V (12 V---Anschluss) bzw. 20 V (24 V---Anschluss).
- Die Batteriespannung steigt über 16 V (12 V---Anschluss) bzw. 32 V (24 V---Anschluss).
- Der Wechselrichter wird überlastet.
- Der Wechselrichter wird überhitzt.

Bei Abschaltung durch Überspannung oder Unterspannung schaltet sich der Wechselrichter wieder ein, wenn der eingestellte Spannungswert wieder erreicht wird.

Bei Abschaltung durch Überlast oder Überhitzung gehen Sie wie folgt vor:

- Schalten Sie den Wechselrichter mit dem Hauptschalter (Abb. **2** 1) aus.
- Kontrollieren Sie, ob der Wechselrichter genügend belüftet ist und ob die Lüfteröffnungen und Belüftungsschlitze frei sind.
- Warten Sie ca. 5 – 10 min und schalten Sie den Wechselrichter ohne Verbraucher wieder ein.

9.3 Energiesparmodus einstellen



HINWEIS

- Der Wechselrichter wechselt automatisch in den Normalbetrieb, wenn eine Last über 45 W angeschlossen wird.
- Wenn Sie ein externer Schalters angeschlossen ist, können Sie den Energiesparmodus nicht verändern.

Energiesparmodus aktivieren

- Schalten Sie den Wechselrichter ggf. aus.
- Drücken Sie den Ein/Aus-Taster (Abb. **3** 1) der Fernbedienung so lange, bis die Status-LED (Abb. **3** 2) der Fernbedienung sechsmal geblinkt hat.
- ✓ Danach blinkt die Status-LED (Abb. **3** 2) der Fernbedienung alle 5 s.
- ✓ Der Energiesparmodus ist aktiviert.

Energiesparmodus deaktivieren

- Schalten Sie den Wechselrichter aus.
- Drücken Sie den Ein/Aus-Taster (Abb. **3** 1) der Fernbedienung so lange, bis die Status-LED (Abb. **3** 2) der Fernbedienung konstant leuchtet.
Bevor die Status-LED konstant leuchtet, zeigt sie das Abschalten des Energiesparmodus durch ein Intervall von viermal Blinken, gefolgt durch sechsmal Blinken.
- ✓ Der Normalmodus ist aktiviert.

9.4 Netzform einstellen



GEFAHR!

Das Ändern der Netzform führt zu Lebensgefahr. Einstellungen an dem DIP-Schalter dürfen nur von Fachkräften durchgeführt werden. Entfernen Sie die Schutzkappe des DIP-Schalters nur zum Einstellen. Setzen Sie die Schutzkappe wieder ein, damit der DIP-Schalter nicht verstellt werden kann.

Mit dem DIP-Schalter können Sie festlegen, in welcher Netzform der Wechselrichter betrieben werden soll.

Parameter	DIP-Schalter
TN-Netz Ein externer, nachgeschalteter FI-Schutzschalter ist notwendig.	Ein
IT-Netz Betrieb mit nur einem Verbraucher oder Installation eines externen Isolationswächters. Nationale Normen beachten!	Aus

10 Wechselrichter pflegen und reinigen



ACHTUNG!

Keine scharfen oder harten Gegenstände oder Reinigungsmittel zur Reinigung verwenden, da dies zu einer Beschädigung des Produktes führen kann.

- Reinigen Sie das Produkt gelegentlich mit einem feuchten Tuch.

11 Fehlerbeseitigung



WARNING!

Öffnen Sie das Gerät nicht. Sie setzen sich der Gefahr eines elektrischen Schlages aus!



HINWEIS

Bei detaillierten Fragen zu den **Daten des Wechselrichters** wenden Sie sich bitte an den Hersteller (Adressen siehe Rückseite der Anleitung).

Die LED (Abb. **2** 2) zeigt den Fehler an:

LED-Anzeige	Ursache	Behebung
Schnelles Blinken	Zu hohe Eingangsspannung	Prüfen Sie die Eingangsspannung und reduzieren Sie diese.
	Zu niedrige Eingangsspannung	Die Batterie muss nachgeladen werden. Prüfen Sie die Leitungen und Verbindungen.
2 s Leuchten, kurze Unterbrechung	Thermische Überlastung	Schalten Sie den Wechselrichter und den Verbraucher aus. Warten Sie ca. 5 – 10 Minuten und schalten Sie den Wechselrichter ohne Verbraucher wieder ein. Reduzieren Sie die Belastung und sorgen Sie für eine bessere Belüftung des Wechselrichters. Schalten Sie dann den Verbraucher wieder ein.
	Zu hohe Belastung	Schalten Sie den Wechselrichter aus und entfernen Sie den Verbraucher. Schalten Sie den Wechselrichter ohne Verbraucher wieder ein. Wird jetzt keine zu hohe Belastung mehr angezeigt, so liegt ein Kurzschluss beim Verbraucher vor oder die Gesamtbelastung war höher als die im Datenblatt spezifizierte Leistung. Prüfen Sie die Leitungen und Verbindungen.
Aus	Anderer Fehler	Wenden Sie sich an den Kundendienst.

12 Gewährleistung

Es gilt die gesetzliche Gewährleistungsfrist. Sollte das Produkt defekt sein, wenden Sie sich bitte an die Niederlassung des Herstellers in Ihrem Land (Adressen siehe Rückseite der Anleitung) oder an Ihren Fachhändler.

Zur Reparatur- bzw. Gewährleistungsbearbeitung müssen Sie folgende Unterlagen mitschicken:

- eine Kopie der Rechnung mit Kaufdatum,
- einen Reklamationsgrund oder eine Fehlerbeschreibung.

13 Entsorgung


- Geben Sie das Verpackungsmaterial möglichst in den entsprechenden Recycling-Müll.



Wenn Sie das Produkt endgültig außer Betrieb nehmen, informieren Sie sich bitte beim nächsten Recyclingcenter oder bei Ihrem Fachhändler über die zutreffenden Entsorgungsvorschriften.

14 Technische Daten

Folgende technische Daten gelten für alle Wechselrichter:

Ausgangsspannung:	230 V~ ± 10 %, reine Sinuswelle (Klirrfaktor < 5 %)
Ausgangsfrequenz:	50 Hz ± 0,5 Hz
Wirkungsgrad:	>90 %
Wärmeabfuhr:	temperatur- und lastgesteuerter Lüfter
Umgebungstemperatur Betrieb:	0 °C bis +50 °C
Umgebungstemperatur Lagerung:	-30 °C bis +70 °C
Luftfeuchtigkeit:	0 – 95 %, nicht kondensierend
Prüfung/Zertifikat:	

	DSP612	DSP 1012	DSP624	DSP 1024
Art.-Nr.:	9600002543 9600003597	9600002545 9600003599	9600002544 9600003598	9600002546 9600003600
Eingangsnennspannung:	12 V \equiv		24 V \equiv	
Eingangsspannungsbereich:	10 – 16,5 V \equiv		20 – 33 V \equiv	
Nennleistung:	600 W	1000 W	600 W	1000 W
Maximale Leistung für 1 min:	690 W	1150 W	690 W	1150 W
Stoßleistung für 1 s:	1200 W	2000 W	1200 W	2000 W
Leerlaufstromaufnahme bei Nennspannung:	<0,8 A	<1,0 A	<0,5 A	<0,6 A
Standby-Stromaufnahme:	<0,3 A	<0,35 A	<0,2 A	<0,2 A
Abmessungen B x L x H:	Abb. 15			
Gewicht:	2,8 kg	3,1 kg	2,8 kg	3,1 kg

	DSP1512	DSP 2012	DSP1524	DSP 2024
Art.-Nr.:	9600002547 9600003601	9600002549 9600003603 9600002561	9600002548 9600003602	9600002550 9600003604 9600002562
Eingangsnennspannung:	12 V \equiv		24 V \equiv	
Eingangsspannungsbereich:	10 – 16,5 V \equiv		20 – 33 V \equiv	
Nennleistung:	1500 W	2000 W	1500 W	2000 W
Maximale Leistung für 1 min:	1725 W	2300 W	1725 W	2300 W
Stoßleistung für 1 s:	3000 W	4000 W	3000 W	4000 W
Leerlaufstromaufnahme bei Nennspannung:	<1,2 A	<1,5 A	<0,6 A	<0,8 A
Standby-Stromaufnahme:	<0,4 A	<0,5 A	<0,25 A	<0,3 A
Abmessungen B x L x H:	Abb. 15			
Gewicht:	4,9 kg	5,2 kg	4,9 kg	5,2 kg

Schutzvorrichtungen

	12 V	24 V
Eingang:	Unterspannung, Verpolungsschutz (interne Sicherung)	
AC Ausgang:	Überspannung, Kurzschluss, Überlast	
Temperatur:	Abschaltung	
Kurzschlusschutz:	ja, Ipk	

Überspannungs-Schutz

Gerät	Überspannung	
	Abschaltung	Neustart
DSP612, DSP1012, DSP1512, DSP2012	16,5 V	15,5 V
DSP624, DSP1024, DSP1524, DSP2024	33 V	31 V

Unterspannungs-Schutz

Gerät	Unterspannung	
	Abschaltung	Neustart
DSP612, DSP1012, DSP1512, DSP2012	10 V	12 V
DSP624, DSP1024, DSP1524, DSP2024	20 V	24 V

Die aktuelle EU-Konformitätserklärung für Ihr Gerät erhalten Sie auf der jeweiligen Produktseite auf dometic.com oder direkt über den Hersteller (siehe Rückseite).

Veillez lire attentivement cette notice avant le montage et la mise en service. Veillez ensuite la conserver. En cas de passer le produit, veuillez le transmettre au nouvel acquéreur.

Sommaire

1	Explication des symboles	41
2	Consignes générales de sécurité	41
3	Contenu de la livraison	45
4	Groupe cible de cette notice	45
5	Usage conforme	45
6	Description technique	46
7	Montage de l'onduleur	48
8	Raccordement de l'onduleur	49
9	Utilisation de l'onduleur	51
10	Entretien et nettoyage de l'onduleur	54
11	Élimination des erreurs	55
12	Garantie	56
13	Retraitement	56
14	Caractéristiques techniques	56

1 Explication des symboles

**DANGER !**

Consigne de sécurité : le non-respect de ces consignes entraîne la mort ou de graves blessures.

**AVERTISSEMENT !**

Consigne de sécurité : le non-respect de ces consignes peut entraîner la mort ou de graves blessures.

**AVIS !**

Le non-respect de ces consignes peut entraîner des dommages matériels et des dysfonctionnements du produit.

**REMARQUE**

Informations complémentaires sur l'utilisation du produit.

2 Consignes générales de sécurité

2.1 Sécurité générale

Le fabricant décline toute responsabilité pour des dommages dans les cas suivants :

- des défauts de montage ou de raccordement
- des sollicitations mécaniques et une tension de raccordement incorrecte ayant endommagé le matériel
- des modifications apportées au produit sans autorisation explicite de la part du fabricant
- une utilisation différente de celle décrite dans la notice

Lors de l'utilisation d'appareils électriques, les consignes générales de sécurité suivantes doivent être respectées afin d'éviter

- une décharge électrique,
- un incendie,
- des blessures.

2.2 Consignes générales de sécurité



DANGER !

- En cas d'incendie, utilisez un extincteur adapté aux appareils électriques.



AVERTISSEMENT !

- Utilisez l'appareil conformément à l'usage pour lequel il a été conçu.
- Veillez à ce que la pince rouge et la pince noire ne se touchent **jamais**.
- Débranchez l'appareil du secteur
 - avant tout nettoyage et entretien
 - avant le changement d'un fusible
- Si vous démontez l'appareil :
 - débranchez tous les raccords,
 - assurez-vous qu'aucune entrée ou sortie n'est sous tension.
- Si l'appareil ou le câble de raccordement présentent des dommages visibles, il est interdit de mettre l'appareil en service.
- Si le câble de raccordement de l'appareil est endommagé, il doit être remplacé par le fabricant, son service après-vente ou une personne de qualification similaire, afin d'éviter tout danger.
- Seul un personnel qualifié est habilité à effectuer des réparations sur l'appareil. Toute réparation mal effectuée risquerait d'entraîner de graves dangers.
- Les enfants âgés de 8 ans et plus ainsi que les personnes ayant des déficiences physiques, sensorielles ou mentales ou un manque d'expérience ou de connaissances peuvent utiliser ce produit à condition d'être sous surveillance ou d'avoir reçu des instructions concernant l'utilisation de l'appareil en toute sécurité et de comprendre les dangers qui en résultent.
- **Les appareils électriques ne sont pas des jouets pour enfants !** Placez et utilisez l'appareil hors de leur portée.
- Les enfants doivent être surveillés pour s'assurer qu'ils ne jouent pas avec l'appareil.



AVIS !

- Avant la mise en service, vérifiez que la tension indiquée sur la plaque signalétique correspond à l'alimentation électrique dont vous disposez.
- Veillez à ce que d'autres objets ne provoquent **aucun** court-circuit au niveau des contacts de l'appareil.

- Ne tirez jamais sur le câble de raccordement pour sortir la fiche de la prise.
- Stockez l'appareil dans un endroit frais et sec.

2.3 Sécurité lors du montage de l'appareil



DANGER !

- Ne montez jamais l'appareil dans des zones où existent des risques d'explosion de gaz ou de poussières explosives.



ATTENTION !

- Veillez à un positionnement stable de l'appareil !
Veillez à installer et fixer l'appareil de manière à ce qu'il ne puisse ni se renverser ni tomber.



AVIS !

- N'exposez pas l'appareil à des sources de chaleur (rayonnement solaire, chauffage, etc.). Vous éviterez ainsi une surchauffe supplémentaire de l'appareil.
- Installez l'appareil dans un endroit sec et à l'abri des éclaboussures d'eau.

2.4 Consignes de sécurité concernant le raccordement électrique de l'appareil



DANGER ! Danger de mort par électrocution !

- Lorsque vous effectuez des travaux sur des installations électriques, assurez-vous qu'une personne pouvant vous apporter assistance en cas d'urgence se trouve à proximité.



AVERTISSEMENT !

- Veillez à obtenir une section de câble suffisante.
- Posez les câbles de manière à ce qu'ils ne puissent pas être endommagés par les portières ou par le capot du moteur.
Des câbles compressés peuvent entraîner des blessures mortelles.



ATTENTION !

- Posez les câbles de manière à exclure tout risque de trébuchement ou d'endommagement du câble.

**AVIS !**

- Si des lignes électriques doivent traverser des cloisons en tôle ou autres murs à arêtes vives, utilisez des tubes vides ou des conduits pour câbles.
- Ne placez **pas** les câbles 230 V et la ligne de courant continu 12 V dans le même conduit (tube vide).
- Ne posez **pas** les lignes sans les fixer ou en les pliant.
- Fixez bien les lignes.
- Ne tirez pas sur les lignes électriques.

2.5 Consignes de sécurité concernant le fonctionnement de l'appareil

**DANGER ! Danger de mort par électrocution !**

- Ne touchez jamais les lignes électriques dénudées avec les mains nues.

**AVERTISSEMENT !**

- Utilisez l'appareil uniquement dans des pièces fermées et bien aérées.

**ATTENTION !**

- N'utilisez **pas** l'appareil
 - en milieu humide, à forte teneur en sel,
 - à proximité de vapeurs agressives,
 - à proximité de matériaux inflammables,
 - ou dans un environnement explosif.
- Avant de mettre l'appareil en service, assurez-vous que la ligne d'alimentation électrique et le connecteur sont secs.
- Coupez l'alimentation électrique au cours de travaux sur l'appareil.
- Attention : même après déclenchement du dispositif de sécurité (fusible), il est possible que certaines pièces de l'appareil restent sous tension.
- Ne débranchez pas de câbles pendant le fonctionnement de l'appareil.

**AVIS!**

- Assurez-vous que les entrées et sorties d'air de l'appareil ne sont pas couvertes.
- Veillez à ce que l'aération soit suffisante.

3 Contenu de la livraison

Pos. dans fig. 1	Désignation
1	Onduleurs sinusoïdaux
2	Télécommande
3	Câble de raccordement télécommande
-	Manuel d'utilisation

4 Groupe cible de cette notice

Le chapitre « Raccordement de l'onduleur », page 49 s'adresse exclusivement aux spécialistes familiers des directives VDE correspondantes.

Tous les autres chapitres s'adressent également aux utilisateurs de l'appareil.

5 Usage conforme

**AVERTISSEMENT !**

L'onduleur ne doit pas être utilisé pour les véhicules dont le pôle positif de la batterie est relié au châssis.

Les onduleurs servent à convertir la tension continue en une tension alternative de 230 V de 50 Hz.

- **12 V** : DSP612, DSP1012, DSP1512, DSP2012
- **24 V** : DSP624, DSP1024, DSP1524, DSP2024

6 Description technique

Les onduleurs peuvent être utilisés partout où une prise CC est disponible.

- **12 V** : DSP612, DSP1012, DSP1512, DSP2012
- **24 V** : DSP624, DSP1024, DSP1524, DSP2024

Le faible poids et la construction compacte permettent de monter cet appareil dans des camping-cars, véhicules utilitaires ou yachts à moteur et à voile.

La tension de sortie correspond à la tension domestique de la prise (tension sinusoïdale uniquement, taux de distorsion <5 %).

Veuillez tenir compte des valeurs de puissance continue de sortie et de puissance de crête de sortie qui sont indiquées au chapitre « Caractéristiques techniques », page 56. Les appareils nécessitant plus de puissance ne doivent pas être raccordés.



REMARQUE

En cas de raccordement d'appareils avec un entraînement électrique (p. ex. perceuse, réfrigérateur, etc.), tenez compte du fait que, pendant le démarrage, ces appareils nécessitent souvent une puissance supérieure à celle indiquée sur la plaque signalétique.

L'onduleur possède différents mécanismes de protection :

- **Protection de surtension** : l'onduleur s'éteint lorsque la valeur de tension dépasse le seuil d'arrêt. Il redémarre lorsque la tension retombe à la valeur de redémarrage.
- **Protection de sous-tension** : l'onduleur s'éteint lorsque la valeur de tension descend en dessous du seuil d'arrêt. Il redémarre lorsque la tension remonte à la valeur de redémarrage.
- **Protection de surtempérature** : l'onduleur s'éteint lorsque la température au sein de l'appareil ou la température au niveau du radiateur dépasse une valeur d'arrêt. Il redémarre lorsque la tension remonte à la valeur de redémarrage.
- **Protection contre la surcharge et le court-circuit** : le voyant LED de l'onduleur annonce un dysfonctionnement, quand une trop grande charge est raccordée ou qu'un court-circuit est créé.



REMARQUE

Vous trouverez les valeurs seuil au chapitre « Caractéristiques techniques », page 56.

L'onduleur peut fonctionner dans les formes de réseau suivantes :

- **Réseau TN :**

Le conducteur neutre de l'onduleur est connecté à la terre. Un disjoncteur différentiel doit être installé en aval.

- **Réseau IT :**

Les deux phases sont isolées. Ceci est approprié pour le fonctionnement d'un consommateur électrique. Si plus d'un consommateur est connecté, un concept de protection doit être conçu (par exemple avec un moniteur d'isolation).

La forme du réseau est configurée via un commutateur DIP sur l'onduleur.

L'onduleur peut être mis en mode économie d'énergie avec la télécommande afin que la batterie raccordée ne se décharge pas trop vite.

Une télécommande permet d'allumer et d'éteindre l'onduleur et d'activer le mode d'économie d'énergie.

6.1 Éléments de commande

Pos. dans fig. 2	Désignation	Description
1	Commutateur principal	Allume ou éteint l'appareil
2	Voyant d'état	Voir chapitre « Témoins lumineux de fonctionnement », page 52
3	Commutateur DIP	Permet de régler la forme du réseau

6.2 Raccordements



REMARQUE

La version présentée est celle pour l'Europe continentale.

Pos. dans fig. 2	Description
4	Prise de courant alternatif
5	Raccordement pour télécommande
6	Raccordement au courant continu
7	Borne de masse (mise à la terre sur la carrosserie du véhicule)
8	ventilateur

6.3 Télécommande

Pos. dans fig. 3	Désignation
1	Commutateur marche/arrêt
2	Voyant d'état
3	Raccordement pour télécommande

7 Montage de l'onduleur

7.1 Outils nécessaires

Pour le **raccordement électrique**, vous devez disposer des outils suivants :

- Pince de sertissage
- 3 câbles de raccordement flexibles de différentes couleurs. Vous trouverez la section nécessaire dans le tableau du chapitre « Raccordement de l'onduleur », page 49.
- Cosses de câble et embouts

Pour la **fixation** de l'onduleur, vous devez disposer des aides de montage suivantes :

- Vis d'assemblage (M4) à rondelles et écrous de protection ou
- Vis à tôle ou à bois

7.2 Instructions de montage

Lisez attentivement les remarques suivantes lors du choix du lieu d'installation :

- Le montage de l'onduleur peut être horizontal ou vertical.
- L'onduleur doit être monté à un endroit protégé de l'humidité.
- L'onduleur ne doit pas être monté dans des environnements contenant des matériaux inflammables.
- L'onduleur ne doit pas être monté dans des environnements poussiéreux.
- Le lieu de montage doit être bien aéré. En cas d'installations dans de petits locaux fermés, ceux-ci doivent disposer d'un système d'aération et de ventilation. La distance libre minimale autour de l'onduleur doit être d'au moins 5 cm (fig. **4**).

- L'arrivée d'air sur la partie inférieure et la sortie d'air à l'arrière de l'onduleur doivent rester libres.
- À des températures ambiantes supérieures à 40 °C (p. ex. dans les salles des moteurs ou les chaufferies, à la lumière directe du soleil), l'onduleur peut s'éteindre, bien que la puissance des charges connectées soit inférieure à la charge nominale.
- La surface de montage doit être plane et présenter une stabilité suffisante.

**AVIS !**

Avant de commencer à effectuer des perçages, assurez-vous qu'aucun câble électrique ou autre élément du véhicule ne risque d'être endommagé par le perçage, le sciage ou le limage.

7.3 Montage de l'onduleur

- Montez l'onduleur comme indiqué (fig. **5**).

7.4 Montage de la télécommande

- Montez la télécommande comme indiqué (fig. **6**).
- Retirez le film protecteur.

8 Raccordement de l'onduleur

8.1 Consignes générales

**AVERTISSEMENT !**

- Seule une entreprise spécialisée possédant le savoir-faire nécessaire est habilitée à effectuer le raccordement de l'onduleur. Les informations suivantes sont destinées à un personnel qualifié, informé des directives et des consignes de sécurité à appliquer.
 - L'onduleur **ne doit pas** être utilisé pour les véhicules dont le pôle positif de la batterie est relié au châssis.
 - Si vous ne placez aucun fusible dans la **ligne positive** de la batterie, les lignes peuvent être surchargées, ce qui pourrait entraîner un incendie.
- En cas d'installation dans des véhicules ou bateaux, l'onduleur doit être relié au châssis ou à la masse.

- Lors de la construction d'un circuit de répartiteurs de prises (construction de réseau), respectez les directives de la norme VDE 0100.
- Utilisez exclusivement des câbles de cuivre.
- Les câbles de tension continue doivent être aussi courts que possible (< 1 m).
- Respectez le diamètre de câble nécessaire et placez un fusible de ligne (fig. **7** 1) aussi près que possible de la batterie dans la ligne positive (voir tableau).

Appareil	Diamètre de câble nécessaire	Fusible de ligne
DSP612	25 mm ²	150 A
DSP624	25 mm ²	150 A
DSP1012	35 mm ²	200 A
DSP1024	25 mm ²	150 A
DSP1512	50 mm ²	250 A
DSP1524	25 mm ²	150 A
DSP2012	70 mm ²	300 A
DSP2024	35 mm ²	200 A

8.2 Raccordement de l'onduleur



AVIS !

- Assurez-vous que la polarité n'est pas inversée : Une polarité incorrecte peut endommager l'onduleur.
- Veuillez noter que l'onduleur ne doit être utilisé qu'avec la tension suivante :
 - DSP612, DSP1012, DSP1512, DSP2012 : 12 V_{DC}
 - DSP624, DSP1024, DSP1524, DSP2024 : 24 V_{DC}



REMARQUE

Vissez les vis ou les écrous avec un couple de serrage de max. 15 Nm. Si les vis sont mal serrées, cela peut provoquer des surchauffes.

- Connectez l'onduleur conformément à l'illustration :
 - Raccordement de la batterie : fig. **7**
 - Raccordement de la borne de masse : fig. **8**
 - Raccordement d'une ligne de sortie 230 V : fig. **9**

8.3 Raccordement de la télécommande



AVIS !

Ne branchez le raccordement de la télécommande qu'au port remote. Un raccordement incorrect risque d'endommager l'appareil.

- Raccordez la télécommande comme indiqué (fig. **10**).

8.4 Raccorder l'interrupteur externe (accessoire)



REMARQUE

En cas d'utilisation d'un interrupteur externe, vous ne pouvez pas modifier l'état du mode d'économie d'énergie.

- Raccordez un interrupteur externe comme indiqué (fig. **11**).

9 Utilisation de l'onduleur

9.1 Mise en service de l'onduleur

- Réglez le commutateur principal (fig. **2** 1) de l'onduleur de la manière suivante :
 - « 0 » : onduleur complètement éteint
 - « I » : Fonctionnement normal
 - « II » : fonctionnement par télécommande
- ✓ L'onduleur procède à un test automatique.
- ✓ Après l'auto-test réussi, la LED d'état (fig. **2** 2) indique l'état de fonctionnement :
 - Est allumée de manière constante : Mode normal activé
 - Clignote quatre fois : mode d'économie d'énergie activé

9.2 Témoins lumineux de fonctionnement

Le voyant LED (fig. **2** 2) indique l'état de fonctionnement de l'onduleur.

Affichage	Tension d'entrée
Éclairage permanent	Fonctionnement normal
Long clignotement, courte interruption	Surchauffe de l'onduleur/surcharge
Clignotement rapide	Surtension/sous-tension
Arrêt	Autre erreur

L'onduleur s'éteint si :

- la tension de la batterie chute en dessous de 10 V (raccordement 12 V $\overline{=}$) ou 20 V (raccordement 24 V $\overline{=}$).
- la tension de la batterie monte au dessus de 16 V (raccordement 12 V $\overline{=}$) ou 32 V (raccordement 24 V $\overline{=}$).
- L'onduleur est surchargé.
- L'onduleur est surchauffé.

En cas de coupure due à une surtension ou à une sous-tension, l'onduleur se rallume lorsque la valeur de tension réglée est à nouveau atteinte.

En cas de coupure due à une surtension ou à une sous-tension, procédez de la manière suivante :

- Éteignez l'onduleur avec le commutateur principal (fig. **2** 1).
- Vérifiez que l'onduleur est assez ventilé et que les ouvertures d'aération et fentes de ventilation sont libres.
- Attendez env. 5 – 10 min et allumez de nouveau l'onduleur sans consommateur.

9.3 Réglage du mode économie d'énergie



REMARQUE

- L'onduleur passe automatiquement en fonctionnement normal lorsqu'une charge supérieure à 45 W est connectée.
- Lorsqu'un interrupteur externe est raccordé, vous ne pouvez pas modifier le mode d'économie d'énergie.

Activer le mode d'économie d'énergie

- Éteignez éventuellement l'onduleur.
- Appuyez sur la touche marche/arrêt (fig. 3 1) de la télécommande jusqu'à ce que la LED d'état (fig. 3 2) de la télécommande clignote six fois.
- ✓ La LED d'état (fig. 3 2) de la télécommande clignote ensuite toutes les 5 s.
- ✓ Le mode d'économie d'énergie est activé.

Désactiver le mode d'économie d'énergie

- Éteignez l'onduleur.
- Appuyez sur la touche marche/arrêt (fig. 3 1) de la télécommande jusqu'à ce que la LED d'état (fig. 3 2) de la télécommande reste allumée de façon constante.

Avant que la LED d'état reste allumée de façon constante, la désactivation du mode d'économie d'énergie se manifeste par un intervalle de quatre clignotements, suivi de six clignotements.

- ✓ Le mode normal est activé.

9.4 Régler la forme du réseau



DANGER !

La modification de la forme du réseau entraîne un danger de mort. Seul un professionnel est habilité à procéder à des réglages du commutateur DIP.

Retirez le capuchon de protection de l'interrupteur DIP uniquement pour le réglage. Réinstallez le capuchon de protection de sorte que l'interrupteur DIP ne puisse pas être déréglé.

Avec le commutateur DIP, vous pouvez spécifier dans quelle forme de réseau l'onduleur doit fonctionner.

Paramètre	Commutateur DIP
Réseau TN Un disjoncteur de fuite à la terre externe et en aval est nécessaire.	Marche
Réseau IT Fonctionnement avec un seul consommateur ou installation d'un moniteur d'isolation externe. Tenir compte des normes nationales !	Arrêt

10 Entretien et nettoyage de l'onduleur



AVIS !

N'utilisez aucun objet coupant ou dur, ni de détergents pour le nettoyage. Cela pourrait endommager le produit.

- Nettoyez le produit avec un tissu humide.

11 Élimination des erreurs



AVERTISSEMENT !

N'ouvrez pas l'appareil. Vous vous exposez sinon à des risques d'électrocution !



REMARQUE

En cas de questions sur les **caractéristiques de l'onduleur**, veuillez vous adresser au fabricant (adresses au dos de la notice).

Le voyant LED (fig. **2** 2) indique l'erreur :

Affichage LED	Cause	Solution
Clignotement rapide	Tension d'entrée trop élevée	Vérifiez la tension d'entrée et réduisez-la.
	Tension d'entrée trop basse	La batterie doit être rechargée. Vérifiez les lignes et les connexions.
Allumé 2 s, brève interruption	Surcharge thermique	Éteignez l'onduleur et le consommateur. Attendez env. 5 – 10 minutes et allumez de nouveau l'onduleur sans consommateur d'énergie. Réduisez la charge et assurez-vous que l'onduleur est mieux aéré. Remettez alors le consommateur en marche.
	Surcharge	Éteignez l'onduleur et retirez le consommateur. Remettez alors l'onduleur en marche, sans le consommateur. Si aucune surcharge n'est plus affichée, il existe un court-circuit au niveau du consommateur ou la charge totale était supérieure à la puissance spécifiée dans la fiche technique. Vérifiez les lignes et les connexions.
Arrêt	Autre erreur	Adressez-vous au service après-vente.

12 Garantie

Le délai légal de garantie s'applique. Si le produit s'avérait défectueux, veuillez vous adresser à la filiale du fabricant située dans votre pays (voir adresses au verso du présent manuel) ou à votre revendeur spécialisé.

Veuillez y joindre les documents suivants pour la gestion des réparations et de la garantie :

- une copie de la facture avec la date d'achat,
- le motif de la réclamation ou une description du dysfonctionnement.

13 Retraitement



- Jetez les emballages dans les conteneurs de déchets recyclables prévus à cet effet.



Lorsque vous mettez votre produit définitivement hors service, informez-vous auprès du centre de recyclage le plus proche ou auprès de votre revendeur spécialisé sur les prescriptions relatives au retraitement des déchets.

14 Caractéristiques techniques

Les caractéristiques techniques suivantes sont valables pour tous les onduleurs :

Tension de sortie :	230 V \sim \pm 10 %, onde sinusoïdale (taux de distorsion < 5 %)
Fréquence de sortie :	50 Hz \pm 0,5 Hz
Rendement :	>90 %
Évacuation de la chaleur :	Ventilateur à température et à charge contrôlées
Température ambiante de service :	de 0 °C à +50 °C
Température ambiante de stockage :	de -30 °C à +70 °C
Humidité de l'air :	0 - 95 %, sans condensation
Contrôle/certificat :	 

	DSP612	DSP1012	DSP624	DSP1024
Réf. :	9600002543 9600003597	9600002545 9600003599	9600002544 9600003598	9600002546 9600003600
Tension nominale d'entrée :	12 V $\overline{=}$		24 V $\overline{=}$	
Plage de tension d'entrée :	10 – 16,5 V $\overline{=}$		20 – 33 V $\overline{=}$	
Puissance nominale :	600 W	1000 W	600 W	1000 W
Puissance maximale pour 1 min :	690 W	1150 W	690 W	1150 W
Puissance de crête pour 1 s :	1200 W	2000 W	1200 W	2000 W
Consommation de courant à vide à la tension nominale :	<0,8 A	<1,0 A	<0,5 A	<0,6 A
Consommation en standby :	<0,3 A	<0,35 A	<0,2 A	<0,2 A
Dimensions L x P x H :	fig. 15			
Poids :	2,8 kg	3,1 kg	2,8 kg	3,1 kg

	DSP1512	DSP2012	DSP1524	DSP2024
Réf. :	9600002547 9600003601	9600002549 9600003603 9600002561	9600002548 9600003602	9600002550 9600003604 9600002562
Tension nominale d'entrée :	12 V \equiv		24 V \equiv	
Plage de tension d'entrée :	10 – 16,5 V \equiv		20 – 33 V \equiv	
Puissance nominale :	1500 W	2000 W	1500 W	2000 W
Puissance maximale pour 1 min :	1725 W	2300 W	1725 W	2300 W
Puissance de crête pour 1 s :	3000 W	4000 W	3000 W	4000 W
Consommation de courant à vide à la tension nominale :	<1,2 A	<1,5 A	<0,6 A	<0,8 A
Consommation en standby :	<0,4 A	<0,5 A	<0,25 A	<0,3 A
Dimensions L x P x H :	fig. 15			
Poids :	4,9 kg	5,2 kg	4,9 kg	5,2 kg

Dispositifs de protection

	12 V	24 V
Entrée :	Sous-tension, protection contre les inversions de polarité (fusible interne)	
Sortie CA :	Surtension, court-circuit, surcharge	
Température :	Arrêt	
Protection contre les courts-circuits :	Oui, Ipk	

Protection de surtension

Appareil	Surtension	
	Arrêt	Redémarrage
DSP612, DSP1012, DSP1512, DSP2012	16,5 V	15,5 V
DSP624, DSP1024, DSP1524, DSP2024	33 V	31 V

Protection de sous-tension

Appareil	Sous-tension	
	Arrêt	Redémarrage
DSP612, DSP1012, DSP1512, DSP2012	10 V	12 V
DSP624, DSP1024, DSP1524, DSP2024	20 V	24 V

Vous trouverez la déclaration de conformité UE actuelle pour votre appareil sur la page de produit concernée sur dometic.com ou directement auprès du fabricant (voir verso).

Lea detenidamente estas instrucciones antes de llevar a cabo la instalación y puesta en funcionamiento, y consérvelas en un lugar seguro. En caso de vender o entregar el producto a otra persona, entregue también estas instrucciones.

Índice

1	Explicación de los símbolos	61
2	Indicaciones generales de seguridad	61
3	Volumen de entrega	65
4	Destinatarios de estas instrucciones	65
5	Uso adecuado	65
6	Descripción técnica	66
7	Montaje del inversor	68
8	Conexión del inversor.	69
9	Uso del inversor	71
10	Mantenimiento y limpieza del inversor	74
11	Solución de fallos	75
12	Garantía legal	76
13	Gestión de residuos	76
14	Datos técnicos.	76

1 Explicación de los símbolos

**¡PELIGRO!**

Indicación de seguridad: su incumplimiento acarrea la muerte o graves lesiones.

**¡ADVERTENCIA!**

Indicación de seguridad: su incumplimiento puede acarrear la muerte o graves lesiones.

**¡AVISO!**

Su incumplimiento puede acarrear daños materiales y perjudicar el correcto funcionamiento del producto.

**NOTA**

Información adicional para el manejo del producto.

2 Indicaciones generales de seguridad

2.1 Seguridad general

El fabricante declina toda responsabilidad ante daños ocurridos en los siguientes casos:

- errores de montaje o de conexión
- desperfectos en el producto debidos a influencias mecánicas y una tensión de conexión incorrecta
- modificaciones realizadas en el producto sin el expreso consentimiento del fabricante
- utilización del aparato para fines distintos a los descritos en las instrucciones

Al utilizar los aparatos eléctricos, respete las siguientes normas básicas de seguridad para protegerse de:

- descargas eléctricas
- peligro de incendio
- lesiones

2.2 Seguridad básica



¡PELIGRO!

- En caso de incendio, utilice un extintor adecuado para aparatos eléctricos.



¡ADVERTENCIA!

- Utilice el aparato sólo para aquellos fines para los que ha sido concebido.
- Preste atención a que los bornes rojo y negro **nunca** entren en contacto.
- Desconecte el aparato de la red
 - antes de realizar cualquier tarea de limpieza o mantenimiento
 - antes de cambiar un fusible
- En caso de que desmonte el aparato:
 - Suelte todas la conexiones.
 - Asegúrese de que todas las entradas y salidas estén sin tensión.
- Si el aparato o el cable de conexión presentan daños visibles, no debe poner en marcha el aparato.
- Si se daña el cable de conexión del aparato, el fabricante, su servicio de atención al cliente o una persona cualificada debe reemplazarlo para para evitar así posibles peligros.
- Sólo personal especializado puede realizar reparaciones en el aparato. Las reparaciones que se realicen incorrectamente pueden dar lugar a situaciones de considerable peligro.
- Los niños mayores de 8 años y las personas de capacidad física, sensorial o mental disminuida, así como aquellas personas con falta de experiencia y/o conocimientos suficientes solo podrán utilizar este aparato si están vigilados o han sido instruidos respecto al uso seguro del aparato y a los posibles peligros que pueden emanar de él.
- **Los aparatos eléctricos no son juguetes.** Mantenga y utilice el aparato fuera del alcance de los niños.
- Controle a los niños para asegurarse de que no jueguen con el aparato.



¡AVISO!

- Antes de la puesta en funcionamiento, compare el valor de tensión indicado en la placa de características con el suministro de energía existente.

- Asegúrese de que otros aparatos **no** causen un cortocircuito en los contactos del aparato.
- No desenchufe nunca el cable de conexión tirando de él.
- Almacene el aparato en un lugar seco y fresco.

2.3 Seguridad en el montaje del aparato



¡PELIGRO!

- No monte el aparato en áreas donde haya peligro de explosiones a causa de gases o polvos explosivos.



¡ATENCIÓN!

- ¡Procure mantenerlo en una posición segura!
Instale y fije el aparato de forma segura, de manera que no pueda caerse ni volcarse.



¡AVISO!

- No exponga el aparato a fuentes de calor (radiación directa del sol, calefacción, etc.). De este modo, evitará un calentamiento adicional del aparato.
- Coloque el aparato en un lugar seco y protegido contra posibles salpicaduras de agua.

2.4 Seguridad durante la conexión eléctrica del aparato



¡PELIGRO! ¡Peligro de muerte por descarga eléctrica!

- Al trabajar en instalaciones eléctricas asegúrese de que haya alguien en las cercanías para que le pueda ayudar en caso de emergencia.



¡ADVERTENCIA!

- Asegúrese de que la longitud de la sección de cable sea suficiente.
- Tienda los cables de forma que las puertas o el capó del motor no los puedan dañar.
Los cables aplastados pueden provocar lesiones que pongan en peligro la vida.



¡ATENCIÓN!

- Tienda los cables de tal forma que no se pueda tropezar con ellos ni se pueda dañar el cable.

**¡AVISO!**

- Use tubos corrugados o guías de cables cuando los cables se tengan que pasar a través de paredes chapa u otras paredes afiladas.
- **No** tienda el cable de red de 230 V y el cable de corriente continua de 12 V en la misma canaleta (tubo corrugado).
- **No** tienda los cables de forma que queden sueltos o estén muy doblados.
- Fije bien los cables.
- No tire de los cables.

2.5 Seguridad durante el funcionamiento del aparato

**¡PELIGRO! ¡Peligro de muerte por descarga eléctrica!**

- No toque directamente con las manos cables sin aislamiento.

**¡ADVERTENCIA!**

- Monte el aparato únicamente en recintos cerrados y bien ventilados.

**¡ATENCIÓN!**

- **No** utilice este aparato
 - en entornos con contenido en sal, húmedos o mojados,
 - en las proximidades de vapores agresivos,
 - en las proximidades de materiales inflamables,
 - en áreas con riesgo de explosión.
- Antes de la puesta en funcionamiento, asegúrese de que el cable de alimentación y la clavija estén secos.
- Siempre que realice tareas en el aparato desconecte la alimentación de corriente.
- Tenga en cuenta que incluso después de haberse activado el dispositivo de protección (fusible), algunas partes del aparato pueden seguir bajo tensión.
- No desconecte ningún cable mientras el aparato aún se encuentre en funcionamiento.

**¡AVISO!**

- Asegúrese de que las entradas y salidas de aire del aparato no queden tapadas.
- Preste atención a que haya una buena ventilación.

3 Volumen de entrega

Pos. en fig. 1	Denominación
1	Inversor sinusoidal
2	Control remoto
3	Cable de conexión del control remoto
–	Instrucciones de uso

4 Destinatarios de estas instrucciones

El capítulo “Conexión del inversor” en la página 69 va dirigido únicamente a personal técnico familiarizado con las directivas VDE correspondientes.

El resto de los capítulos van también dirigidos a los usuarios del aparato.

5 Uso adecuado



¡ADVERTENCIA!

El inversor no se puede usar en vehículos cuyo polo positivo de la batería esté conectado al chasis.

Los inversores sirven para transformar la tensión continua en tensión alterna de 230 V y 50 Hz:

- **12 V**: DSP612, DSP1012, DSP1512, DSP2012
- **24 V**: DSP624, DSP1024, DSP1524, DSP2024

6 Descripción técnica

Los inversores pueden ponerse en funcionamiento en cualquier lugar donde se disponga de una conexión CC.

- **12 V_{DC}**: DSP612, DSP1012, DSP1512, DSP2012
- **24 V_{DC}**: DSP624, DSP1024, DSP1524, DSP2024

Gracias a su reducido peso y su estructura compacta, este aparato se puede instalar fácilmente en caravanas, vehículos industriales o yates a motor o vela.

La tensión de salida coincide con la tensión para aparatos domésticos de la caja de enchufe (tensión sinusoidal pura, factor de distorsión <5 %).

Preste atención a los valores para la potencia de salida constante y la potencia de salida máxima, como se indica en el capítulo “Datos técnicos” en la página 76. No se deben conectar aparatos que requieran más potencia.



NOTA

A la hora de conectar aparatos con un motor de accionamiento eléctrico (por ejemplo, taladradora, nevera, etc.), tenga en cuenta que estos a menudo para arrancar necesitan un mayor consumo de potencia al indicado en la placa de características.

El inversor está equipado con distintos mecanismos de protección:

- **Protección contra la sobretensión:** el inversor se desconecta cuando el valor de tensión asciende por encima del valor de conexión. Cuando la tensión desciende al valor de reinicio, se vuelve a conectar.
- **Protección contra la subtensión:** el inversor se desconecta cuando el valor de tensión desciende por debajo del valor de conexión. Cuando la tensión asciende al valor de reinicio, se vuelve a conectar.
- **Protección contra el sobrecalentamiento:** el inversor se desconecta cuando la temperatura dentro del aparato o la temperatura del dispositivo de enfriamiento sobrepasan un valor de conexión. Cuando la tensión asciende al valor de reinicio, se vuelve a conectar.
- **Protección contra sobrecarga y protección contra cortocircuitos:** el LED en el inversor avisa de una avería cuando se ha conectado una carga demasiado grande o se ha producido un cortocircuito.



NOTA

En el capítulo “Datos técnicos” en la página 76 encontrará cada uno de los valores de conexión.

El inversor puede usarse con las siguientes estructuras de red:

- **Red TN:**

El conductor neutro del inversor está conectado a masa. Debe haber un interruptor de protección FI instalado detrás.

- **Red IT:**

Ambas fases están aisladas. Esta situación es apta para el funcionamiento de un aparato conectado. Si se va a conectar más de un aparato, debe diseñarse un concepto de protección (p. ej., un controlador de aislamiento).

La estructura de red se configura en el inversor a través de un interruptor dip.

El inversor puede ponerse en modo de ahorro de energía mediante el control remoto, para que la batería conectada no se descargue demasiado rápido.

Con el control remoto puede encenderse y apagarse el inversor, así como conectarse el modo de ahorro de energía.

6.1 Elementos de mando

Pos. en fig. 2	Denominación	Descripción
1	Interruptor principal	Enciende o apaga el aparato
2	LED de estado	Véase capítulo "Indicaciones de funcionamiento" en la página 72
3	Interruptor dip	Ajusta la estructura de red

6.2 Conexiones



NOTA

En la imagen se representa la versión para Europa continental.

Pos. en fig. 2	Descripción
4	Caja de enchufe de corriente alterna
5	Conexión para control remoto
6	Conexión de corriente continua
7	Borne de puesta a tierra (puesta a tierra en la carrocería del vehículo)
8	Ventilador

6.3 Control remoto

Pos. en fig. 3	Denominación
1	Interruptor de encendido / apagado
2	LED de estado
3	Conexión para control remoto

7 Montaje del inversor

7.1 Herramientas necesarias

Para la **conexión eléctrica** requiere los siguientes medios auxiliares:

- Tenazas crimpadoras
- 3 cables de conexión flexibles de diferentes colores. Puede consultar la sección transversal requerida en la tabla del capítulo “Conexión del inversor” en la página 69.
- Terminales de cable y casquillos para los extremos de los hilos

Para la **sujeción** del inversor son necesarios los siguientes medios de montaje:

- Tornillos para máquina (M4) con arandelas de apoyo y tuercas autoblocantes o
- Tornillos para chapa o madera

7.2 Indicaciones para el montaje

Al elegir el lugar de montaje, tenga en cuenta las siguientes indicaciones:

- El inversor se puede montar vertical u horizontalmente.
- El inversor se debe instalar en un lugar protegido contra la humedad.
- El inversor no se puede montar en un entorno con materiales inflamables.
- El inversor no se puede montar en un entorno con mucho polvo.
- El lugar de montaje tiene que estar bien ventilado. En caso de instalación en recintos cerrados pequeños, debe haber ventilación suficiente. La separación mínima del inversor con los objetos a su alrededor debe ser de 5 cm (fig. **4**).
- La entrada de aire de la parte posterior y la salida de aire de la parte delantera del inversor tienen que estar libres.

- En caso de que la temperatura supere los 40 °C (p. ej., en salas de motores o de calderas, o bajo la radiación directa del sol), puede ser que el inversor se desconecte aunque la potencia de los aparatos conectados esté por debajo de la carga nominal (derating).
- La superficie de montaje tiene que ser plana y tener una resistencia suficiente.



¡AVISO!

Antes de realizar cualquier perforación, asegúrese de que ningún cable eléctrico ni ninguna otra pieza del vehículo puedan resultar dañados al taladrar, serrar o limar.

7.3 Montaje del inversor

- Monte el inversor tal como se representa (fig. **5**).

7.4 Montaje del control remoto

- Monte el control remoto tal como se representa (fig. **6**).
- Retire la lámina protectora.

8 Conexión del inversor

8.1 Indicaciones generales



¡ADVERTENCIA!

- Solo personal técnico debidamente cualificado tiene permitido realizar la conexión del inversor. La siguiente información va dirigida a personal técnico familiarizado con las directrices y normativas de seguridad que se han de aplicar.
- El inversor **no** se puede usar en vehículos en los que el polo positivo de la batería está conectado al chasis.
- Si no instala un fusible en el **cable positivo** de la batería, se pueden sobrecargar los cables y producirse un incendio.

- El inversor tiene que estar conectado al chasis o a masa cuando está instalado en vehículos o embarcaciones.
- Respete la norma VDE 0100 si instala un circuito de distribución de cajas de enchufe (instalación de red).
- Utilice solamente cable de cobre.

- Intente que el cable de tensión continua sea lo más corto posible (< 1 m).
- Respete la sección de cable requerida e instale un fusible (fig. 7 1) lo más cerca posible de la batería en el cable positivo (véase la tabla).

Aparato	Sección de cable necesaria	Fusible del cable
DSP612	25 mm ²	150 A
DSP624	25 mm ²	150 A
DSP1012	35 mm ²	200 A
DSP1024	25 mm ²	150 A
DSP1512	50 mm ²	250 A
DSP1524	25 mm ²	150 A
DSP2012	70 mm ²	300 A
DSP2024	35 mm ²	200 A

8.2 Conexión del inversor



¡AVISO!

- Asegúrese de no invertir la polaridad. Una polaridad incorrecta puede dañar el inversor.
- Tenga en cuenta que el inversor solo puede usarse con la siguiente tensión:
 - DSP612, DSP1012, DSP1512, DSP2012: 12 V_{DC}
 - DSP624, DSP1024, DSP1524, DSP2024: 24 V_{DC}



NOTA

Apriete los tornillos o las tuercas a un par de apriete de máx. 15 Nm. Las conexiones sueltas pueden producir sobrecalentamientos.

- Conecte el inversor como se representa:
 - Conexión de la batería: fig. 7
 - Conexión del borne de puesta a tierra: fig. 8
 - Conexión de la línea de salida de 230 V: fig. 9

8.3 Conexión del control remoto

**¡AVISO!**

Enchufe la conexión para el control remoto solo en el puerto Remote. Una conexión errónea puede dañar el aparato.

- Conecte el control remoto tal como se representa (fig. **10**).

8.4 Conexión del interruptor externo (accesorio)

**NOTA**

Si utiliza un interruptor externo no podrá modificar el estado del modo de ahorro de energía.

- Conecte el interruptor externo como se indica (fig. **11**).

9 Uso del inversor

9.1 Conexión del inversor

- Ponga el interruptor principal (fig. **2** 1) del inversor en la posición que se indica a continuación:
 - “0”: Inversor completamente apagado
 - “I”: Funcionamiento normal
 - “II”: Funcionamiento mediante el control remoto
- ✓ El inversor realiza un autotest.
- ✓ Una vez realizado correctamente el autotest, el LED de estado (fig. **2** 2) muestra el estado de funcionamiento:
 - Luce de forma constante: modo normal activado
 - Parpadea cuatro veces: modo de ahorro de energía activado

9.2 Indicaciones de funcionamiento

El LED (fig. 2 2) indica el estado de funcionamiento del inversor.

Indicación	Tensión de entrada
Iluminación permanente	Funcionamiento normal
Parpadeo prolongado, pausa corta	Inversor sobrecalentado / sobrecarga
Parpadeo rápido	Sobretensión / subtensión
Apagado	Otros fallos

El inversor se apaga cuando:

- La tensión de la batería cae por debajo de 10 V (conexión de 12 V $\overline{=}$) o 20 V (conexión de 24 V $\overline{=}$).
- La tensión de la batería asciende por encima de 16 V (conexión de 12 V $\overline{=}$) o 32 V (conexión de 24 V $\overline{=}$).
- Se sobrecarga el inversor.
- Se sobrecalienta el inversor.

En caso de desconexión debida a sobretensión o subtensión, el inversor vuelve a conectarse cuando se alcanza de nuevo el valor de tensión ajustado.

En caso de desconexión debida a sobrecarga o sobrecalentamiento, proceda de la forma siguiente:

- Con el interruptor principal (fig. 2 1), apague el inversor.
- Asegúrese de que el inversor esté lo suficientemente ventilado y de que las aberturas de ventilación estén libres.
- Espere unos 5 – 10 minutos y vuelva a encender el inversor sin aparatos conectados.

9.3 Ajuste del modo de ahorro de energía



NOTA

- El inversor pasa automáticamente al modo de funcionamiento normal cuando se conecta una carga superior a 45 W.
- Si conecta un interruptor externo, no podrá cambiar el modo de ahorro de energía.

Activar el modo de ahorro de energía

- Desconecte el inversor.
- Pulse la tecla de apagado/encendido (fig. 3 1) del control remoto hasta que el LED de estado (fig. 3 2) haya parpadeado seis veces.
- ✓ Después, el LED de estado (fig. 3 2) del control remoto parpadeará cada 5 segundos:
- ✓ El modo de ahorro de energía está activado.

Desactivar el modo de ahorro de energía

- Apague el inversor.
- Pulse la tecla de apagado/encendido (fig. 3 1) del control remoto hasta que el LED de estado (fig. 3 2) se ilumine constantemente.
Antes de que el LED de estado se ilumine constantemente, mostrará la desactivación del modo de ahorro de energía parpadeando cuatro veces y, después, seis veces.
- ✓ El modo de funcionamiento normal está activado.

9.4 Ajuste de la estructura de red



¡PELIGRO!

Modificar la estructura de red conlleva peligro de muerte. Solo personal especializado puede realizar ajustes en el interruptor dip. La cubierta protectora del interruptor dip debe retirarse únicamente para el ajuste. Vuelva a colocar la cubierta protectora para que no se pueda modificar el ajuste del interruptor dip.

Con el interruptor dip puede determinar la estructura con la que debe utilizarse el inversor.

Parámetros	Interruptor dip
Red TN	Conectado
Es imprescindible un interruptor de protección FI externo conectado detrás.	
Red IT	Desactivado
Uso con un solo aparato conectado o instalación de un controlador de aislamiento externo.	
¡Respetar las normas del país en cuestión!	

10 Mantenimiento y limpieza del inversor



¡AVISO!

No utilice ningún objeto o producto de limpieza corrosivo o duro en la limpieza, ya que podría dañar el producto.

- Limpie de vez en cuando el producto con un paño húmedo.

11 Solución de fallos



¡ADVERTENCIA!

No abra el aparato. ¡Corre el riesgo de sufrir una descarga eléctrica!



NOTA

Para cuestiones más detalladas sobre los **datos del inversor**, póngase en contacto con el fabricante (encontrará las direcciones en la página posterior de las instrucciones).

El LED (fig. 2) indica el fallo:

Indicador LED	Causa	Solución
Parpadeo rápido	La tensión de entrada es demasiado alta	Compruebe la tensión de entrada y redúzcala.
	La tensión de entrada es demasiado baja	Hay que recargar la batería. Compruebe los cables y las conexiones.
Luce 2 s, pausa corta	Sobrecarga térmica	Desconecte el inversor y el aparato conectado a él. Espere unos 5 – 10 minutos y vuelva a encender el inversor sin aparatos conectados a él. Reduzca la carga y asegúrese de que el inversor tiene una mejor ventilación. Después, vuelva a conectar el aparato al inversor.
	Sobrecarga	Desconecte el inversor y retire el aparato conectado a él. Después, vuelva a encender el inversor sin aparatos conectados a él. Si ya no se indica una sobrecarga, hay un cortocircuito en el aparato conectado o la carga total era superior a la potencia especificada en la hoja de datos. Compruebe los cables y las conexiones.
Apagado	Otros fallos	Diríjase al servicio de atención al cliente.

12 Garantía legal

Rige el plazo de garantía legal. Si el producto presenta algún defecto, diríjase a la sucursal del fabricante de su país (ver direcciones en el dorso de estas instrucciones) o a su establecimiento especializado.

Para la tramitación de la reparación y de la garantía debe enviar también los siguientes documentos:

- una copia de la factura con fecha de compra,
- el motivo de la reclamación o una descripción de la avería.

13 Gestión de residuos



► Deseche el material de embalaje en el contenedor de reciclaje correspondiente.



Cuando vaya a desechar definitivamente el producto, infórmese en el centro de reciclaje más cercano o en un comercio especializado sobre las normas pertinentes de eliminación de materiales.

14 Datos técnicos

Los siguientes datos técnicos rigen para todos los inversores:

Tensión de salida:	230 V~ ± 10 %, onda sinusoidal pura (factor de distorsión <5 %)
Frecuencia de salida:	50 Hz ± 0,5 Hz
Grado de eficacia:	>90 %
Evacuación de calor:	ventilador controlado en función de la temperatura y la carga
Temperatura ambiente para el funcionamiento:	de 0 °C a +50 °C
Temperatura ambiente de almacenamiento:	de -30 °C a +70 °C
Humedad del aire:	0-95 %, sin condensación
Homologación/certificado:	 

	DSP612	DSP 1012	DSP624	DSP 1024
N.º de art.:	9600002543 9600003597	9600002545 9600003599	9600002544 9600003598	9600002546 9600003600
Tensión nominal de entrada:	12 V \equiv		24 V \equiv	
Rango de tensión de entrada:	10 – 16,5 V \equiv		20 – 33 V \equiv	
Potencia nominal:	600 W	1000 W	600 W	1000 W
Potencia máxima para 1 min:	690 W	1150 W	690 W	1150 W
Potencia transitoria para 1 s:	1200 W	2000 W	1200 W	2000 W
Consumo de corriente en marcha en vacío a la tensión nominal:	<0,8 A	<1,0 A	<0,5 A	<0,6 A
Consumo de corriente en standby:	<0,3 A	<0,35 A	<0,2 A	<0,2 A
Dimensiones A x L x H:	fig. 15			
Peso:	2,8 kg	3,1 kg	2,8 kg	3,1 kg

	DSP1512	DSP 2012	DSP1524	DSP 2024
N.º de art.:	9600002547 9600003601	9600002549 9600003603 9600002561	9600002548 9600003602	9600002550 9600003604 9600002562
Tensión nominal de entrada:	12 V \equiv		24 V \equiv	
Rango de tensión de entrada:	10 – 16,5 V \equiv		20 – 33 V \equiv	
Potencia nominal:	1500 W	2000 W	1500 W	2000 W
Potencia máxima para 1 min:	1725 W	2300 W	1725 W	2300 W
Potencia transitoria para 1 s:	3000 W	4000 W	3000 W	4000 W
Consumo de corriente en marcha en vacío a la tensión nominal:	<1,2 A	<1,5 A	<0,6 A	<0,8 A
Consumo de corriente en standby:	<0,4 A	<0,5 A	<0,25 A	<0,3 A
Dimensiones A x L x H:	fig. 15			
Peso:	4,9 kg	5,2 kg	4,9 kg	5,2 kg

Dispositivos de seguridad

	12 V	24 V
Entrada:	Subtensión, protección contra inversión de polaridad (fusible interno)	
Salida de CA:	Sobretensión, cortocircuito, sobrecarga	
Temperatura:	Desconexión	
Protección contra cortocircuito:	Sí, Ipk	

Protección contra la sobretensión

Aparato	Sobretensión	
	Desconexión	Reinicio
DSP612, DSP1012, DSP1512, DSP2012	16,5 V	15,5 V
DSP624, DSP1024, DSP1524, DSP2024	33 V	31 V

Protección contra la subtensión

Aparato	Subtensión	
	Desconexión	Reinicio
DSP612, DSP1012, DSP1512, DSP2012	10 V	12 V
DSP624, DSP1024, DSP1524, DSP2024	20 V	24 V

Encontrará la declaración de conformidad UE actual para su aparato en la página correspondiente al producto en dometic.com o directamente a través del fabricante (véase la parte posterior).

Por favor, leia atentamente este manual antes da montagem e colocação em funcionamento do aparelho e guarde-o em local seguro. Em caso de transmissão do produto, entregue o manual ao novo utilizador.

Índice

1	Explicação dos símbolos	81
2	Indicações gerais de segurança	81
3	Material fornecido	85
4	Destinatários do presente manual	85
5	Utilização adequada	85
6	Descrição técnica	86
7	Montar o conversor	88
8	Conectar o conversor	89
9	Utilizar o conversor	91
10	Conservar e limpar o conversor	94
11	Eliminação de erros	95
12	Garantia	96
13	Eliminação	96
14	Dados técnicos	96

1 Explicação dos símbolos

**PERIGO!**

Indicação de segurança: o incumprimento causa a morte ou ferimentos graves.

**AVISO!**

Indicação de segurança: o incumprimento pode provocar a morte ou ferimentos graves.

**NOTA!**

O incumprimento pode causar danos materiais e pode prejudicar o funcionamento do produto.

**OBSERVAÇÃO**

Informações suplementares sobre a operação do produto.

2 Indicações gerais de segurança

2.1 Segurança geral

O fabricante não se responsabiliza por danos nos seguintes casos:

- Erros de montagem ou de conexão
- Danos no produto resultantes de influências mecânicas e tensão de conexão incorreta
- Alterações ao produto sem autorização expressa do fabricante
- Utilização para outras finalidades que não as descritas no manual de instruções

Tenha em atenção as seguintes medidas de segurança fundamentais na utilização de aparelhos elétricos para a proteção contra:

- choque elétrico
- perigo de incêndio
- ferimentos

2.2 Segurança essencial



PERIGO!

- No caso de um incêndio, use um extintor que seja adequado para aparelhos eléctricos.



AVISO!

- Utilize o aparelho apenas para o fim previsto.
- Tenha atenção para que o borne vermelho e o borne preto **nunca** se toquem.
- Separe o aparelho da rede eléctrica
 - antes de cada limpeza e conservação
 - antes da mudança de fusíveis
- Caso desmonte o aparelho:
 - Solte todas as ligações.
 - Certifique-se de que todas as entrada e saídas estão livres de tensão.
- Se o aparelho ou o cabo de ligação apresentar danos visíveis, não deve ser colocado em funcionamento.
- Se danificar o cabo de conexão deste aparelho, o mesmo tem de ser substituído pelo fabricante, pela sua assistência técnica ou por uma pessoa com qualificações equivalentes para evitar perigos.
- As reparações neste aparelho apenas devem ser realizadas por técnicos especializados. As reparações inadequadas podem provocar perigos graves.
- Este aparelho pode ser utilizado por crianças a partir dos 8 anos, assim como por pessoas com capacidades físicas, sensoriais ou mentais reduzidas e/ou com insuficiente experiência e conhecimento, quando supervisionadas ou quando tenham recebido informação acerca da utilização segura do aparelho e tenham compreendido os perigos dele resultantes.
- **Os aparelhos eléctricos não são brinquedos!**
Guarde e utilize o aparelho fora do alcance das crianças.
- As crianças devem ser supervisionadas para assegurar que não brinquem com o aparelho.



NOTA!

- Antes da colocação em funcionamento, compare a indicação da tensão na placa de características com a alimentação de energia existente.

- Tenha atenção para que outros objectos **não** causem curto-circuito nos contactos do aparelho.
- Nunca retire a ficha da tomada elétrica puxando pelo cabo de conexão.
- Guarde o aparelho num local seco e fresco.

2.3 Segurança durante a montagem do aparelho



PERIGO!

- Não monte o aparelho em áreas nas quais existe perigo de explosão de gás ou de pó.



PRECAUÇÃO!

- Tenha atenção para que esteja bem posicionado!
O aparelho deve estar instalado e fixo de modo a que não possa tombar ou cair.



NOTA!

- Não exponha o aparelho a fontes de calor (irradiação solar, aquecimento, etc). Assim, evita um aquecimento adicional do aparelho.
- Faça a montagem do aparelho num lugar seco e protegido contra salpicos de água.

2.4 Segurança durante a ligação elétrica do aparelho



PERIGO! Perigo de morte devido a choque elétrico!

- Quando trabalha em unidades eléctricas, certifique-se que está alguém por perto para o ajudar em caso de emergência.



AVISO!

- Tenha atenção a um secção transversal suficiente do cabo!
- Coloque os cabos de forma a que não sejam danificados através de portas ou de capôs de motores.
Cabos trilhados podem conduzir a ferimentos com risco de vida.



PRECAUÇÃO!

- Coloque os cabos de modo a que não exista perigo de tropeçar e que sejam excluídos danos nos cabos.

**NOTA!**

- Utilize tubos vazios ou tubos de passar cabos quando os cabos tenham de ser passados por paredes de chapa ou outras paredes com arestas afiadas.
- **Não** coloque o cabo de rede de 230 V e o cabo de corrente contínua de 12 V no mesmo canal de cabos (tubo vazio).
- **Não** coloque os cabos soltos ou muito dobrados.
- Fixe bem os cabos.
- Não puxe pelos cabos.

2.5 Segurança durante a utilização do aparelho

**PERIGO! Perigo de morte devido a choque elétrico!**

- Nunca toque nos cabos não blindados apenas com as mãos.

**AVISO!**

- Use o aparelho exclusivamente em divisões fechadas e bem ventiladas.

**PRECAUÇÃO!**

- **Não** opere o aparelho
 - em ambiente salífero, húmido ou molhado
 - na proximidade de vapores agressivos
 - perto de materiais inflamáveis,
 - em áreas com perigo de explosão.
- Antes da colocação em funcionamento, tenha atenção para que o cabo de conexão e a ficha estejam secos.
- No caso de trabalhos no aparelho, deve interromper sempre a alimentação de corrente.
- Tenha em atenção que mesmo depois de disparar o dispositivo de segurança (fusível) há peças do aparelho que podem permanecer sob tensão.
- Não solte cabos enquanto o aparelho estiver em funcionamento.

**NOTA!**

- Preste atenção para não obstruir as entradas e saídas de ar do aparelho.
- Tenha atenção a uma boa ventilação.

3 Material fornecido

Pos. na fig. 1	Designação
1	Conversor sinusoidal
2	Controlo remoto
3	Cabo de conexão do controlo remoto
–	Manual de instruções

4 Destinatários do presente manual

O capítulo “Conectar o conversor” na página 89 destina-se exclusivamente a técnicos que estejam devidamente familiarizados com as diretivas VDE.

Todos os outros capítulos também se destinam aos utilizadores do aparelho.

5 Utilização adequada

**AVISO!**

O conversor não pode ser utilizado em veículos cujo polo positivo da bateria está ligado ao chassis.

Os conversores destinam-se a converter a corrente contínua numa corrente alterada de 230 V com 50 Hz:

- **12 V $\overline{=}$** : DSP612, DSP1012, DSP1512, DSP2012
- **24 V $\overline{=}$** : DSP624, DSP1024, DSP1524, DSP2024

6 Descrição técnica

Os conversores podem ser operados em qualquer lugar onde esteja disponível uma tomada de corrente contínua.

- **12 V**: DSP612, DSP1012, DSP1512, DSP2012
- **24 V**: DSP624, DSP1024, DSP1524, DSP2024

Graças ao reduzido peso e à estrutura compacta, o aparelho pode ser facilmente instalado em autocaravanas, veículos comerciais ou embarcações a motor e vela.

A tensão de saída corresponde à tensão obtida nas tomadas elétricas de casa (tensão sinusoidal pura, THD <5 %).

Respeite os valores para a potência de saída contínua e para a potência de saída máxima indicados no capítulo “Dados técnicos” na página 96. Aparelhos com um consumo de potência mais elevado não devem ser ligados.



OBSERVAÇÃO

Ao ligar aparelhos com acionamento elétrico (por exemplo, berbequim, frigorífico, etc.), tenha em consideração que os mesmos necessitam de uma potência de arranque mais elevada do que a indicada na chapa de características.

O conversor está equipado com diferentes mecanismos de proteção:

- **Proteção contra sobretensão:** O conversor desliga-se quando o valor de tensão excede o valor de desativação. Quando a tensão baixa para o valor de reinício, o conversor volta a ligar-se.
- **Proteção contra subtensão:** O conversor desliga-se quando o valor de tensão desce abaixo do valor de desativação. Quando a tensão sobe para o valor de reinício, o conversor volta a ligar-se.
- **Proteção contra sobreaquecimento:** O conversor desliga-se quando a temperatura dentro do aparelho ou a temperatura do dissipador de calor excede o valor de desativação. Quando a tensão sobe para o valor de reinício, o conversor volta a ligar-se.
- **Proteção contra sobrecarga e curto-circuito:** O LED no conversor indica um falha de funcionamento sempre que a carga elétrica for demasiado alta ou ocorrer um curto-circuito.



OBSERVAÇÃO

Encontrará cada um dos valores de conexão no capítulo “Dados técnicos” na página 96.

O conversor pode ser operado nos seguintes sistemas de rede:

- **Rede TN:**

O condutor neutro do conversor está ligado à terra. Deve ser instalado um interruptor de segurança de corrente residual a jusante do conversor.

- **Rede TI:**

Ambos os condutores isolados. Este é o mais adequado para o consumidor. Se mais de um consumidor estiver conectado, deve ser concebido um sistema de proteção (p. ex. controlador de isolamentos).

Os sistemas de rede são configurados através de um interruptor DIP no conversor.

O conversor pode ser colocado no modo de poupança de energia através do controlo remoto, para que a bateria conectada não fique rapidamente sem carga.

O controlo remoto pode ser usado para ligar e desligar o conversor e para o colocar no modo de poupança de energia.

6.1 Elementos de comando

Pos. na fig. 2	Designação	Descrição
1	Interruptor principal	Liga ou desliga o aparelho
2	LED de estado	Ver capítulo "Indicações de funcionamento" na página 92
3	Interruptor DIP	Configura o sistema de rede

6.2 Conexões



OBSERVAÇÃO

A versão ilustrada destina-se à Europa continental.

Pos. na fig. 2	Descrição
4	Tomada de corrente alternada
5	Conexão para controlo remoto
6	Conexão de corrente contínua
7	Borne de terra (conexão à terra no chassi do veículo)
8	Ventilador

6.3 Controlo remoto

Pos. na fig. 3	Designação
1	Botão de ligar/desligar
2	LED de estado
3	Conexão para controlo remoto

7 Montar o conversor

7.1 Ferramentas necessárias

Para a **conexão elétrica**, são necessárias as seguintes ferramentas de apoio:

- Alicates de crimpar
- 3 cabos de conexão flexíveis com diferentes cores. A secção transversal necessária pode ser consultada na tabela no capítulo “Conectar o conversor” na página 89.
- Terminais de cabos e mangas para fios

Para a **fixação** do conversor, necessita dos seguintes meios de montagem:

- parafusos (M4) com arruelas e porcas de autobloqueio ou
- parafusos para chapas ou madeira

7.2 Indicações de montagem

Ao seleccionar o local de montagem tenha atenção às seguintes indicações:

- A montagem do conversor tanto pode ser feita na horizontal como na vertical.
- O conversor tem de ser montado em local protegido da humidade.
- O conversor não pode ser instalado em ambientes com materiais inflamáveis.
- O conversor não pode ser instalado em ambientes com pó.
- O local de montagem deve ser bem ventilado. No caso de instalações em divisões pequenas e fechadas, deve existir uma boa ventilação e exaustão de ar. A distância livre à volta do conversor dever ser de, no mínimo, 5 cm (fig. **4**).
- A entrada de ar na parte de trás e a saída de ar na parte da frente do conversor devem permanecer desobstruídas.

- Em temperaturas ambiente superiores a 40 °C (p. ex. no motor ou em salas de caldeiras ou com luz solar direta) o conversor pode desligar-se, mesmo que a potência das cargas dos seja inferior à carga nominal (redução).
- A superfície de montagem deve ser plana e apresentar uma estabilidade suficiente.

**NOTA!**

Antes de fazer quaisquer perfurações, certifique-se de que não são danificados cabos elétricos ou outras peças do veículo devido a trabalhos de perfuração, corte ou lixamento.

7.3 Montar o conversor

- Instale o conversor como ilustrado (fig. **5**).

7.4 Montar o controlo remoto

- Instale o controlo remoto como ilustrado (fig. **6**).
- Remova a película protetora.

8 Conectar o conversor

8.1 Indicações gerais

**AVISO!**

- A conexão do conversor apenas pode ser efetuada por empresas especializadas. As seguintes informações destinam-se a técnicos devidamente familiarizados com as diretivas e medidas de segurança a aplicar.
 - O conversor **não** pode ser utilizado em veículos cujo polo positivo da bateria esteja ligado ao chassi.
 - Se não colocar nenhum fusível no **cabo positivo** da bateria, os cabos podem ficar sobrecarregados, podendo dar origem a um incêndio.
- O conversor tem de ser ligado ao chassi ou à terra se estiver instalado em veículos ou embarcações.
 - Respeite a norma VDE 0100 se instalar um circuito de distribuição de tomadas de corrente (instalação de rede).

- Utilize exclusivamente cabos de cobre.
- Mantenha o cabo de corrente contínua tão curto quanto possível (< 1 m).
- Respeite o corte transversal do cabo necessário e instale um fusível (fig. **7** 1) no cabo positivo o mais próximo possível da bateria (ver tabela).

Aparelho	Corte transversal do cabo necessário	Fusível
DSP 612	25 mm ²	150 A
DSP 624	25 mm ²	150 A
DSP 1012	35 mm ²	200 A
DSP 1024	25 mm ²	150 A
DSP 1512	50 mm ²	250 A
DSP 1524	25 mm ²	150 A
DSP 2012	70 mm ²	300 A
DSP 2024	35 mm ²	200 A

8.2 Ligar o conversor



NOTA!

- Tenha atenção para que a polaridade não seja trocada. Uma polaridade incorreta pode danificar o conversor.
- Por favor, note que o conversor só pode ser operado com a seguinte tensão:
 - DSP612, DSP1012, DSP1512, DSP2012: 12 V_{DC}
 - DSP624, DSP1024, DSP1524, DSP2024: 24 V_{DC}



OBSERVAÇÃO

Aperte os parafusos ou porcas com um binário de aperto de, no máx., 15 Nm. As conexões soltas podem dar origem a sobreaquecimentos.

- Conecte o conversor como representado:
 - Ligar a bateria: fig. **7**
 - Conectar o borne de terra: fig. **8**
 - Conectar o cabo de saída de 230 V: fig. **9**

8.3 Conectar o controlo remoto

**NOTA!**

Insira a conexão para o controlo remoto apenas na porta Remote. Uma ligação incorreta pode danificar o aparelho.

- Ligue o controlo remoto como ilustrado (fig. **10**).

8.4 Conectar um interruptor externo (acessório)

**OBSERVAÇÃO**

Se utilizar um interruptor externo, o estado do modo de poupança de energia não pode ser alterado.

- Conecte um interruptor externo como ilustrado (fig. **11**).

9 Utilizar o conversor

9.1 Ligar o conversor

- Coloque o interruptor principal (fig. **2** 1) do conversor da seguinte forma:
 - “0”: Conversor completamente desligado
 - “I”: Funcionamento normal
 - “II”: Funcionamento com controlo remoto
- ✓ O conversor executa um autodiagnóstico.
- ✓ Após o autodiagnóstico, o LED de estado (fig. **2** 2) indica o estado de operação:
 - Sempre aceso: A funcionar normalmente
 - Pisca quatro vezes: A funcionar no modo de poupança de energia

9.2 Indicações de funcionamento

O LED (fig. 2 2) indica o estado de funcionamento do conversor.

Indicação	Tensão de entrada
Luz permanente	Funcionamento normal
Intermitência lenta, intermitência rápida	Sobreaquecimento ou sobrecarga do conversor
Pisca rápido	Sobretensão/subtensão
Desligado	Outro erro

O conversor desliga-se quando:

- A tensão da bateria desce abaixo dos 10 V (conexão de 12 V $\overline{=}$) ou 20 V (conexão de 24 V $\overline{=}$).
- A tensão da bateria sobe além dos 16 V (conexão de 12 V $\overline{=}$) ou dos 32 V (conexão de 24 V $\overline{=}$).
- O conversor fica sobrecarregado.
- O conversor fica sobreaquecido.

Ao desligar-se por sobretensão ou subtensão, o conversor volta a ligar-se assim que a tensão ajustada ao funcionamento for atingida.

Ao desligar-se por sobrecarga ou subcarga, deve proceder da seguinte forma:

- Desligue o conversor com o interruptor principal (fig. 2 1).
- Verifique se o conversor é ventilado de forma satisfatória e se as aberturas do ventilador ou ranhuras de ventilação não estão obstruídas.
- Aguarde aproximadamente 5 – 10 minutos e volte a ligar o conversor sem consumidores.

9.3 Configurar o modo de poupança de energia



OBSERVAÇÃO

- O conversor muda automaticamente para o modo de operação normal quando um consumidor com uma carga acima de 45 W é conectado.
- Se estiver conectado um interruptor externo, o modo de poupança de energia não pode ser alterado.

Ativar o modo de poupança de energia

- Eventualmente, desligue o conversor.
- Prima o botão de ligar/desligar (fig. 3 1) do controlo remoto até o LED de estado (fig. 3 2) do controlo remoto piscar seis vezes.
- ✓ Depois, o LED de estado (fig. 3 2) do controlo remoto pisca todos os 5 segundos.
- ✓ O modo de poupança de energia está ativado.

Desativar o modo de poupança de energia

- Desligue o conversor.
- Prima o botão de ligar/desligar (fig. 3 1) do controlo remoto até o LED de estado (fig. 3 2) do controlo remoto acender constantemente.
Antes do LED de estado acender constantemente, este indica a desativação do modo de poupança de energia piscando quatro vezes e, depois, seis vezes.
- ✓ O modo normal está ativado.

9.4 Configurar o sistema de rede



PERIGO!

Alterar o sistema de rede pode provocar perigo de morte.
 As configurações do interruptor DIP só podem ser realizadas por técnicos especializados
 Remova a tampa protetora do interruptor DIP apenas para configurar.
 Reinstale a tampa protetora do interruptor DIP, para que este não possa ser ajustado.

Com o interruptor DIP, pode especificar em que sistema de rede o conversor está a ser operado.

Parâmetros	Interruptor DIP
Rede TN	Ligado
<p>É necessário um interruptor de segurança de corrente residual externo a jusante.</p>	
Rede TI	Desligado
<p>Operar com apenas um consumidor ou instalar um monitor de isolamento externo.</p> <p>Tenha em atenção as normas nacionais!</p>	

10 Conservar e limpar o conversor



NOTA!

Não utilizar objectos afiados ou duros ou agentes de limpeza para a limpeza, uma vez que podem ser causados danos no produto.

- De vez em quando, limpe o aparelho com um pano húmido.

11 Eliminação de erros



AVISO!

Não abra o aparelho. Corre o risco de sofrer um choque elétrico!



OBSERVAÇÃO

Para mais informações detalhadas sobre os **dados do conversor**, entre em contacto com o fabricante (endereços na parte de trás do manual).

O LED (fig. 2) 2) exibe o erro:

Indicação LED	Causa	Eliminação
Pisca rápido	Tensão de entrada demasiado elevada	Verifique a tensão de entrada e reduza a mesma.
	Tensão de entrada demasiado baixa	A bateria tem de ser recarregada. Verifique os cabos e as conexões.
Luzes de 2 s, intermitência longa	Sobrecarga térmica, intermitência curta	Desligue o conversor e o consumidor. Espere cerca de 5 a 10 minutos e volte a ligar o conversor sem consumidores. Reduza a carga e assegure uma melhor ventilação do conversor. Volte então a ligar o consumidor.
	Sobrecarga	Desligue o conversor e retire o consumidor. Ligue de novo o conversor sem consumidor. Se já não aparecer a indicação de sobrecarga é porque existe um curto-circuito no consumidor ou a carga total era superior à potência especificada na folha de dados. Verifique os cabos e as conexões.
Desligado	Outro erro	Contacte o serviço de assistência técnica.

12 Garantia

É válido o prazo de garantia legal. Se o produto estiver com defeito, por favor, dirija-se à representação do fabricante no seu país (endereços, ver verso do manual) ou ao seu revendedor.

Para fins de reparação ou de garantia, terá de enviar os seguintes documentos em conjunto:

- uma cópia da factura com a data de aquisição,
- um motivo de reclamação ou uma descrição da falha.

13 Eliminação




- Sempre que possível, coloque o material de embalagem no respectivo contentor de reciclagem.



Para colocar o aparelho definitivamente fora de funcionamento, por favor, informe-se junto do centro de reciclagem mais próximo ou revendedor sobre as disposições de eliminação aplicáveis.

14 Dados técnicos

Os seguintes dados técnicos são válidos para todos os conversores:

Tensão de saída:	230 V~ ± 10 %, onda sinusoidal pura (THD <5 %)
Frequência de saída:	50 Hz ± 0,5 Hz
Eficiência:	> 90 %
Dissipação térmica:	Temperatura e carga de funcionamento do ventilador
Temperatura ambiente de funcionamento:	0 °C a +50 °C
Temperatura ambiente de armazenamento:	-30 °C a +70 °C
Humidade do ar:	0-95 %, sem condensação
Verificação/certificado:	  

	DSP 612	DSP 1012	DSP 624	DSP 1024
N.º art.:	9600002543 9600003597	9600002545 9600003599	9600002544 9600003598	9600002546 9600003600
Tensão nominal de entrada:	12 V \equiv		24 V \equiv	
Gama da tensão de entrada:	10 – 16,5 V \equiv		20 – 33 V \equiv	
Potência nominal:	600 W	1000 W	600 W	1000 W
Potência máxima por 1 min:	690 W	1150 W	690 W	1150 W
Pico de corrente de saída por 1 s:	1200 W	2000 W	1200 W	2000 W
Consumo de energia sem carga em tensão nominal:	<0,8 A	<1,0 A	<0,5 A	<0,6 A
Consumo de corrente em standby:	<0,3 A	<0,35 A	<0,2 A	<0,2 A
Dimensões L x C x A:	fig. 15			
Peso:	2,8 kg	3,1 kg	2,8 kg	3,1 kg

	DSP 1512	DSP 2012	DSP 1524	DSP 2024
N.º art.:	9600002547 9600003601	9600002549 9600003603 9600002561	9600002548 9600003602	9600002550 9600003604 9600002562
Tensão nominal de entrada:	12 V ₌₌₌		24 V ₌₌₌	
Gama da tensão de entrada:	10 – 16,5 V ₌₌₌		20 – 33 V ₌₌₌	
Potência nominal:	1500 W	2000 W	1500 W	2000 W
Potência máxima por 1 min:	1725 W	2300 W	1725 W	2300 W
Pico de corrente de saída por 1 s:	3000 W	4000 W	3000 W	4000 W
Consumo de energia sem carga em tensão nominal:	<1,2 A	<1,5 A	<0,6 A	<0,8 A
Consumo de corrente em standby:	<0,4 A	<0,5 A	<0,25 A	<0,3 A
Dimensões L x C x A:	fig. 15			
Peso:	4,9 kg	5,2 kg	4,9 kg	5,2 kg

Dispositivos de proteção

	12 V	24 V
Entrada:	Proteção contra subtensão e polaridade inversa (fusível interno)	
Saída AC:	Sobretensão, curto-circuito, sobrecarga	
Temperatura:	Desliga	
Proteção contra curto-circuito:	Sim, Ipk	

Proteção contra sobretensão

Aparelho	Sobretensão	
	Desliga	Reinicia
DSP612, DSP1012, DSP1512, DSP2012	16,5 V	15,5 V
DSP624, DSP1024, DSP1524, DSP2024	33 V	31 V

Proteção contra subtensão

Aparelho	Subtensão	
	Desliga	Reinicia
DSP612, DSP1012, DSP1512, DSP2012	10 V	12 V
DSP624, DSP1024, DSP1524, DSP2024	20 V	24 V

A atual declaração de conformidade UE do seu aparelho pode ser obtida na respectiva página do produto, em dometic.com, ou solicitada diretamente ao fabricante (ver verso).

Prima di effettuare il montaggio e la messa in funzione leggere accuratamente questo manuale di istruzioni, conservarlo e in caso di trasmissione del prodotto, consegnarlo all'utente successivo.

Indice

1	Spiegazione dei simboli	101
2	Indicazioni di sicurezza generali.	101
3	Dotazione	105
4	Destinatari di questo manuale di istruzioni	105
5	Conformità d'uso	105
6	Descrizione tecnica.	106
7	Montaggio dell'inverter	108
8	Collegamento dell'inverter	110
9	Impiego dell'inverter	112
10	Cura e pulizia dell'inverter	114
11	Ricerca guasti	115
12	Garanzia	116
13	Smaltimento	116
14	Specifiche tecniche.	116

1 Spiegazione dei simboli

**PERICOLO!**

Avviso di sicurezza: la mancata osservanza di questo avviso comporta ferite gravi anche mortali.

**AVVERTENZA!**

Avviso di sicurezza: la mancata osservanza di questo avviso può causare ferite gravi anche mortali.

**AVVISO!**

La mancata osservanza di questa nota può causare danni materiali e compromettere il funzionamento del prodotto.

**NOTA**

Informazioni integranti relative all'impiego del prodotto.

2 Indicazioni di sicurezza generali

2.1 Sicurezza generale

Il produttore non si assume nessuna responsabilità per danni nei seguenti casi:

- errori di montaggio o di allacciamento
- danni al prodotto dovuti a influenze meccaniche o a un'errata tensione di allacciamento
- modifiche al prodotto senza esplicita autorizzazione del produttore
- impiego per altri fini rispetto a quelli descritti nel manuale di istruzioni

Durante l'uso di apparecchi elettrici attenersi alle misure di sicurezza fondamentali descritte qui di seguito per proteggersi da:

- scosse elettriche
- pericolo di incendio
- lesioni

2.2 Sicurezza di base



PERICOLO!

- In caso di incendio usare un estintore per apparecchi elettrici.



AVVERTENZA!

- Utilizzare l'apparecchio solamente per un uso conforme alla sua destinazione.
- Fare attenzione che il morsetto rosso e quello nero non entrino **mai** in contatto.
- Staccare l'apparecchio dalla rete
 - prima di effettuare la pulizia e la cura
 - prima di sostituire un fusibile
- Se l'apparecchio viene smontato:
 - Staccare tutti i collegamenti.
 - Assicurarsi che tutte le uscite e tutti gli ingressi siano privi di tensione.
- Se il cavo di allacciamento o l'apparecchio presentano danni visibili, evitare di mettere in funzione l'apparecchio.
- Se il cavo di allacciamento di questo apparecchio viene danneggiato, esso deve essere sostituito dal produttore, da parte del suo servizio clienti, oppure da una persona sufficientemente qualificata, al fine di evitare pericoli.
- Questo apparecchio deve essere riparato solo da personale specializzato. Le riparazioni effettuate in modo scorretto possono causare rischi enormi.
- Il presente apparecchio può essere usato da bambini a partire dagli 8 anni e da utenti con ridotte capacità fisiche, sensoriali o mentali o inesperti e/o con conoscenze insufficienti, se non sono lasciati soli o se sono stati istruiti sull'utilizzo sicuro dell'apparecchio e hanno compreso i pericoli che possono insorgere.
- **Gli elettrodomestici non sono giocattoli!**
Conservare e impiegare l'apparecchio lontano dalla portata dei bambini.
- Non lasciare soli i bambini per assicurarsi che non giochino con l'apparecchio.

**AVVISO!**

- Prima della messa in funzione, confrontare i dati della tensione riportati sulla targhetta con quelli delle prese e degli attacchi disponibili.
- Assicurarsi che altri oggetti **non** causino un cortocircuito sui contatti dell'apparecchio.
- Non estrarre mai la spina dalla presa tirando il cavo di allacciamento.
- Immagazzinare l'apparecchio in un luogo asciutto e fresco.

2.3 Sicurezza durante il montaggio dell'apparecchio

**PERICOLO!**

- Non montare l'apparecchio in zone dove sussiste il pericolo di esplosioni di gas o polveri.

**ATTENZIONE!**

- Accertarsi che la base di appoggio sia sicura!
Posizionare e fissare l'apparecchio in modo sicuro per impedire che possa rovesciarsi o cadere.

**AVVISO!**

- Non esporre l'apparecchio a fonti di calore (esposizione ai raggi solari, riscaldamento e simili). Evitare che l'apparecchio si surriscaldi ulteriormente.
- Installare l'apparecchio in un posto asciutto e protetto da eventuali spruzzi d'acqua.

2.4 Sicurezza durante il collegamento elettrico dell'apparecchio

**PERICOLO! Pericolo di morte a causa di scossa elettrica!**

- Quando si eseguono lavori agli impianti elettrici, assicurarsi che nelle vicinanze si trovi qualcuno in grado di intervenire in caso di necessità.

**AVVERTENZA!**

- Accertarsi che la sezione del cavo sia sufficientemente ampia.
- Posare le linee in modo che non possano essere danneggiate se fatte passare attraverso porte o cofani del motore.
Cavi schiacciati possono causare lesioni mortali.

**ATTENZIONE!**

- Posare i cavi in modo tale che non sussista pericolo di inciampamento e che si possano escludere eventuali danni al cavo.

**AVVISO!**

- Utilizzare tubi vuoti o canaline per cavi qualora i cavi debbano passare attraverso pareti in lamiera oppure pareti con spigoli vivi.
- **Non** posare il cavo di rete da 230 V e il cavo di corrente continua da 12 V nello stesso condotto (tubo vuoto)!
- **Non** posare i cavi in modo malfermo o con forti pieghe.
- Fissare bene i cavi.
- Non tirare i cavi.

2.5 Sicurezza durante il funzionamento dell'apparecchio

**PERICOLO! Pericolo di morte a causa di scossa elettrica!**

- Non toccare mai i cavi nudi a mani nude.

**AVVERTENZA!**

- Utilizzare l'apparecchio esclusivamente in ambienti chiusi ben aerati.

**ATTENZIONE!**

- **Non** azionare l'apparecchio
 - in ambienti salini, umidi o bagnati,
 - in prossimità di vapori aggressivi
 - in prossimità di materiali infiammabili
 - in zone a rischio di esplosione.
- Prima della messa in funzione, assicurarsi che la linea di alimentazione e la spina siano asciutte.
- Interrompere sempre l'alimentazione elettrica qualora si operi sull'apparecchio.
- Notare che, anche dopo l'attivazione del dispositivo di protezione (fusibile), alcuni componenti dell'apparecchio possono rimanere sotto tensione.
- Non staccare nessun cavo se l'apparecchio è ancora in funzione.

**AVVISO!**

- Accertarsi che gli ingressi e le uscite dell'aria dell'apparecchio non siano coperti.
- Accertarsi che ci sia una buona aerazione.

3 Dotazione

Pos. in fig. 1	Descrizione
1	Inverter a onda sinusoidale pura
2	Controllo remoto
3	Cavo di collegamento del controllo remoto
–	Manuale di istruzioni

4 Destinatari di questo manuale di istruzioni

Il capitolo “Collegamento dell’inverter” a pagina 110 si rivolge esclusivamente a persone specializzate e a conoscenza delle direttive VDE corrispondenti.

Tutti gli altri capitoli si rivolgono anche agli utenti dell’apparecchio.

5 Conformità d’uso



AVVERTENZA!

Non montare l’inverter su veicoli nei quali il polo positivo della batteria è collegato al telaio.

Gli inverter servono a trasformare la tensione continua di 12 V in una tensione alternata da 230 V di 50 Hz:

- **12 V**: DSP612, DSP1012, DSP1512, DSP2012
- **24 V**: DSP624, DSP1024, DSP1524, DSP2024

6 Descrizione tecnica

Gli inverter possono essere messi in funzione laddove sia presente una presa in CC.

- **12 V $\overline{=}$** : DSP612, DSP1012, DSP1512, DSP2012
- **24 V $\overline{=}$** : DSP624, DSP1024, DSP1524, DSP2024

Grazie al peso ridotto e alla struttura compatta, questo apparecchio può essere montato senza problemi su camper, veicoli commerciali oppure su barche a motore o a vela.

La tensione di uscita corrisponde alla tensione domestica della presa di corrente (tensione sinusoidale pura, coefficiente distorsione armonica <5 %).

Osservare i valori della potenza di uscita continua e della potenza di uscita di picco, così come sono riportati nel capitolo "Specifiche tecniche" a pagina 116. I dispositivi con requisiti di potenza più elevati non devono essere collegati.



NOTA

In caso di collegamento di apparecchi con azionamento elettrico (ad es. trapani, frigoriferi, ecc.) tenere presente che, durante la fase di avvio, questi spesso necessitano di una potenza maggiore rispetto a quella riportata sulla targhetta.

L'inverter è dotato di diversi meccanismi di protezione:

- **Protezione da sovratensione:** l'inverter si spegne quando il valore di tensione supera il valore di disinserimento. Si avvia di nuovo quando la tensione scende fino al valore di riavvio.
- **Protezione da sottotensione:** l'inverter si spegne quando il valore di tensione scende sotto il valore di disinserimento. Si avvia di nuovo quando la tensione sale fino al valore di riavvio.
- **Protezione da sovratemperatura:** l'inverter si spegne quando la temperatura all'interno dell'apparecchio o la temperatura del raffreddatore superano un valore di disinserimento. Si avvia di nuovo quando la tensione sale fino al valore di riavvio.
- **Protezione da sovraccarico e protezione da cortocircuito:** il LED sull'inverter segnala un'anomalia di funzionamento se il carico collegato è eccessivo oppure se si è verificato un cortocircuito.

**NOTA**

I singoli valori di commutazione sono riportati nel capitolo “Specifiche tecniche” a pagina 116.

L’inverter può funzionare con i seguenti tipi di rete:

- **Rete TN:**
il conduttore neutro dell’inverter è collegato con la massa. A valle deve essere installato un interruttore differenziale di protezione.
- **Rete IT:**
entrambe le fasi sono isolate. Questa configurazione è adatta per il funzionamento di un’utenza. Se si collega più di un’utenza, è necessario progettare un concetto di protezione (ad es., un sorvegliatore d’isolamento).

Il tipo di rete viene configurato tramite un interruttore di regolazione sull’inverter.

Con il controllo remoto l’inverter può essere commutato sulla modalità a basso consumo energetico per evitare lo scaricamento troppo veloce della batteria alla quale è collegato.

Il controllo remoto consente anche di accendere e spegnere l’inverter nonché di attivare la modalità a basso consumo energetico.

6.1 Elementi di comando

Pos. in fig. 2	Descrizione	Descrizione
1	Interruttore principale	Accende o spegne il dispositivo
2	LED di stato	Vedi capitolo “Spie di funzionamento” a pagina 112
3	Interruttore di regolazione	Imposta il tipo di rete

6.2 Collegamenti



NOTA

Nella figura è rappresentata la versione per l'Europa continentale.

Pos. in fig. 2	Descrizione
4	Presa in corrente alternata
5	Collegamento per controllo remoto
6	Collegamento della corrente continua
7	Morsetto di massa (messa a terra nella carrozzeria del veicolo)
8	Ventola

6.3 Controllo remoto

Pos. in fig. 3	Descrizione
1	Interruttore On/Off
2	LED di stato
3	Collegamento per controllo remoto

7 Montaggio dell'inverter

7.1 Attrezzi necessari

Per il **collegamento elettrico** sono necessari i seguenti strumenti:

- Pinza crimpatrice
- 3 cavi di collegamento flessibili in diversi colori. La sezione richiesta è riportata nella tabella al capitolo "Collegamento dell'inverter" a pagina 110.
- Capicorda

Per il **fissaggio** dell'inverter sono necessari i seguenti strumenti di montaggio:

- Bulloni per macchine (M4) con rondelle e dadi autoserranti oppure
- Viti per lamiera o per legno

7.2 Indicazioni per il montaggio

Per la scelta del luogo di montaggio fare attenzione alle seguenti indicazioni:

- L'inverter può essere montato orizzontalmente o verticalmente.
- L'inverter deve essere montato in un punto protetto da umidità.
- Non montare l'inverter in ambienti in cui sono presenti materiali infiammabili.
- Non montare l'inverter in ambienti polverosi.
- Il luogo di montaggio deve essere sufficientemente aerato. Se le installazioni vengono eseguite in locali piccoli e chiusi, deve essere presente un sistema di aerazione e disaerazione. La distanza libera minima intorno all'inverter deve essere di 5 cm (fig. **4**).
- L'entrata d'aria sul lato posteriore e l'uscita d'aria sul lato anteriore dell'inverter devono rimanere libere.
- Con valori della temperatura ambiente superiori a 40 °C (ad. es. in vani motore o di riscaldamento, esposizione diretta all'irraggiamento solare), è possibile che l'inverter si disattivi malgrado la potenza delle utenze collegate sia inferiore al carico nominale (derating).
- La superficie di montaggio deve essere piana e sufficientemente stabile.



AVVISO!

Prima di effettuare qualsiasi tipo di foro, assicurarsi che nessun cavo elettrico o altri componenti del veicolo vengano danneggiati durante l'uso di trapani, seghe e lime.

7.3 Montaggio dell'inverter

- Montare l'inverter secondo le modalità mostrate (fig. **5**).

7.4 Montaggio del controllo remoto

- Montare il controllo remoto secondo le modalità mostrate (fig. **6**).
- Togliere la pellicola protettiva.

8 Collegamento dell'inverter

8.1 Indicazioni generali



AVVERTENZA!

- Il collegamento dell'inverter deve essere eseguito esclusivamente da tecnici qualificati e specializzati. Le seguenti informazioni si rivolgono a personale specializzato a conoscenza delle direttive e delle disposizioni di sicurezza da adottare.
- L'inverter **non** deve essere utilizzato su veicoli nei quali il polo positivo della batteria è collegato al telaio.
- Se non si inserisce alcun fusibile nel **cavo positivo** della batteria, i cavi di alimentazione possono sovraccaricarsi e causare un incendio.

- Se l'inverter viene installato su veicoli o barche, è necessario che venga collegato al telaio o alla massa.
- Durante il montaggio di un circuito di distribuzione prese (installazione della rete) attenersi alla normativa VDE 0100.
- Utilizzare esclusivamente cavi in rame.
- Contenere il più possibile la lunghezza dei cavi in corrente continua (< 1 m).
- Rispettare la sezione del cavo richiesta e inserire nel conduttore positivo un fusibile per cavi (fig. 7 1) il più vicino possibile alla batteria (vedi tabella).

Apparecchio	Sezione del cavo necessaria	Fusibile per cavi
DSP612	25 mm ²	150 A
DSP624	25 mm ²	150 A
DSP1012	35 mm ²	200 A
DSP1024	25 mm ²	150 A
DSP1512	50 mm ²	250 A
DSP1524	25 mm ²	150 A
DSP2012	70 mm ²	300 A
DSP2024	35 mm ²	200 A

8.2 Collegamento dell'inverter



AVVISO!

- Fare attenzione a non invertire la polarità. L'inversione di polarità può danneggiare l'inverter.
- Prestare attenzione al fatto che l'inverter deve funzionare solo con i seguenti valori della tensione:
 - DSP612, DSP1012, DSP1512, DSP2012: 12 V \equiv
 - DSP624, DSP1024, DSP1524, DSP2024: 24 V \equiv



NOTA

Serrare le viti o i dadi con una coppia di max 15 Nm. Collegamenti allentati possono provocare surriscaldamenti.

- Collegare l'inverter secondo le modalità mostrate:
 - Collegamento della batteria: fig. **7**
 - Collegamento del morsetto di massa: fig. **8**
 - Collegamento del cavo di uscita da 230 V: fig. **9**

8.3 Collegamento del controllo remoto



AVVISO!

Inserire il collegamento per il controllo remoto soltanto nella porta Remote. Un collegamento errato può danneggiare l'apparecchio.

- Collegare il controllo remoto secondo le modalità mostrate (fig. **10**).

8.4 Collegamento dell'interruttore esterno (accessorio)



NOTA

In caso di impiego di un interruttore esterno, non è possibile cambiare lo stato della modalità a basso consumo energetico.

- Collegare un interruttore esterno come raffigurato (fig. **11**).

9 Impiego dell'inverter

9.1 Accensione dell'inverter

- ▶ Posizionare l'interruttore principale (fig. **2** 1) dell'inverter nel modo seguente:
 - "0": Inverter completamente spento
 - "I": Funzionamento normale
 - "II": Funzionamento tramite controllo remoto
- ✓ L'inverter esegue un test di autodiagnosi.
- ✓ Dopo aver effettuato con successo il test di autodiagnosi, il LED di stato (fig. **2** 2) indica lo stato di esercizio:
 - Acceso in modo permanente: modalità di funzionamento normale attivata
 - Lampeggia quattro volte: modalità a basso consumo energetico attivato

9.2 Spie di funzionamento

Il LED (fig. **2** 2) indica lo stato di esercizio dell'inverter.

Visualizzazione	Tensione di ingresso
Luce fissa	Funzionamento normale
Lampeggi lunghi, interruzione breve	Inverter surriscaldato/sovraccarico
Lampeggi veloci	Sovratensione/sottotensione
Spento	Altri errori

L'inverter si spegne quando

- la tensione della batteria scende sotto il valore di 10 V (collegamento da 12 V \Rightarrow) o sotto il valore di 20 V (collegamento da 24 V \Rightarrow);
- la tensione della batteria sale sopra il valore di 16 V (collegamento da 12 V \Rightarrow) o sopra il valore di 32 V (collegamento da 24 V \Rightarrow).
- L'inverter è soggetto a sovraccarico.
- L'inverter è surriscaldato.

In caso di spegnimento dovuto a sovratensione o sottotensione, l'inverter si riaccende non appena è stato raggiunto il valore di tensione impostato.

In caso di spegnimento dovuto a sovraccarico o surriscaldamento, procedere nel modo seguente:

- Spegnere l'inverter con l'interruttore principale (fig. **2** 1).
- Controllare che l'inverter venga sufficientemente areato e che le aperture della ventola e le feritoie di aerazione siano libere.
- Attendere ca. 5 – 10 min e riaccendere l'inverter senza utenza.

9.3 Impostazione della modalità a basso consumo energetico



NOTA

- L'inverter passa automaticamente al funzionamento normale non appena viene collegato un carico superiore a 45 W.
- Quando è collegato un interruttore esterno, la modalità a basso consumo energetico non può essere cambiata.

Attivazione della modalità a basso consumo energetico

- Spegnere l'inverter se necessario.
- Premere il tasto On/Off (fig. **3** 1) del controllo remoto finché il LED di stato (fig. **3** 2) del controllo remoto non ha lampeggiato sei volte.
- ✓ Di seguito il LED di stato (fig. **3** 2) del controllo remoto lampeggia ogni 5 s.
- ✓ La modalità a basso consumo energetico è attivata.

Disattivazione della modalità a basso consumo energetico

- Spegnere l'inverter.
- Premere il tasto On/Off (fig. **3** 1) del controllo remoto finché il LED di stato (fig. **3** 2) del controllo remoto non è acceso fisso.
Prima di restare acceso fisso, il LED di stato indica la disattivazione della modalità a basso consumo energetico lampeggiando prima per quattro volte e poi per sei volte.
- ✓ La modalità normale è attivata.

9.4 Impostazione del tipo di rete



PERICOLO!

La modifica del tipo di rete comporta il pericolo di morte. Le impostazioni sull'interruttore di regolazione devono essere effettuate solo da personale specializzato. Rimuovere il tappo di protezione dell'interruttore di regolazione solo per le impostazioni. Reinserire il tappo di protezione per impedire che l'interruttore di regolazione possa essere manipolato.

L'interruttore di regolazione consente di stabilire il tipo di rete con cui far funzionare l'inverter.

Parametro	Interruttore di regolazione
Rete TN È necessario un interruttore differenziale di protezione esterno a valle.	Acceso
Rete IT Esercizio con una sola utenza o installazione di un sorvegliatore d'isolamento. Osservare le norme nazionali!	Spento

10 Cura e pulizia dell'inverter



AVVISO!

Per la pulizia non impiegare oggetti ruvidi o appuntiti, oppure detersivi perché potrebbero danneggiare il prodotto.

- Pulire il prodotto di tanto in tanto con un panno umido.

11 Ricerca guasti



AVVERTENZA!

Non aprire l'apparecchio. Pericolo di scosse elettriche!



NOTA

In caso di domande specifiche sui **dati dell'inverter**, rivolgersi al produttore (l'indirizzo si trova sul retro del manuale di istruzioni).

Il LED (fig. **2** 2) indica il guasto:

Indicazione LED	Causa	Soluzione
Lampeggio veloce	Tensione di ingresso eccessiva	Controllare la tensione di ingresso e ridurla.
	Tensione di ingresso troppo bassa	La batteria deve essere ricaricata. Controllare i cavi e i collegamenti.
Lampeggiamento di 2 sec., breve interruzione	Sovraccarico termico	Spegnere l'inverter e l'utenza. Attendere ca. 5 – 10 min. e riaccendere l'inverter senza utenza. Ridurre il carico e provvedere a una migliore aerazione dell'inverter. A questo punto riaccendere l'utenza.
	Carico eccessivo	Spegnere l'inverter e rimuovere l'utenza. A questo punto riaccendere l'inverter senza utenza. Se adesso non viene più segnalato un carico eccessivo, significa che si è verificato un cortocircuito nell'utenza oppure che il carico totale è maggiore della potenza specificata nella scheda tecnica. Controllare i cavi e i collegamenti.
Spento	Altri errori	Rivolgersi al Servizio Assistenza Clienti.

12 Garanzia

Vale il termine di garanzia previsto dalla legge. Qualora il prodotto risultasse difettoso, La preghiamo di rivolgersi alla filiale del produttore del suo Paese (l'indirizzo si trova sul retro del manuale di istruzioni), oppure al rivenditore specializzato di riferimento.

Per la riparazione e per il disbrigo delle condizioni di garanzia è necessario inviare la seguente documentazione:

- una copia della fattura con la data di acquisto del prodotto,
- un motivo su cui fondare il reclamo, oppure una descrizione del guasto.

13 Smaltimento

- Raccogliere il materiale di imballaggio possibilmente negli appositi contenitori di riciclaggio.



Quando il prodotto viene messo fuori servizio definitivamente, informarsi al centro di riciclaggio più vicino, oppure presso il proprio rivenditore specializzato, sulle prescrizioni adeguate concernenti lo smaltimento.

14 Specifiche tecniche

Le seguenti specifiche tecniche sono valide per tutti gli inverter:

Tensione di uscita:	230 V~ ± 10 %, onda sinusoidale pura (coefficiente distorsione armonica <5 %)
Frequenza di uscita:	50 Hz ± 0,5 Hz
Coefficiente di efficienza:	>90 %
Asportazione di calore:	ventola a temperatura e carico controllati
Temperatura ambiente per funzionamento:	0 °C a +50 °C
Temperatura ambiente per stoccaggio:	da -30 °C a +70 °C
Umidità dell'aria:	0 - 95 %, non condensante
Certificazione/certificati:	

	DSP612	DSP 1012	DSP624	DSP 1024
N. art:	9600002543 9600003597	9600002545 9600003599	9600002544 9600003598	9600002546 9600003600
Tensione nominale di ingresso:	12 V \equiv		24 V \equiv	
Campo di tensione di ingresso:	10 – 16,5 V \equiv		20 – 33 V \equiv	
Potenza nominale:	600 W	1000 W	600 W	1000 W
Potenza massima per 1 min:	690 W	1150 W	690 W	1150 W
Potenza di picco per 1 s:	1200 W	2000 W	1200 W	2000 W
Assorbimento di corrente a vuoto con tensione nominale:	<0,8 A	<1,0 A	<0,5 A	<0,6 A
Potenza assorbita in stand-by:	<0,3 A	<0,35 A	<0,2 A	<0,2 A
Dimensioni L x P x A:	fig. 15			
Peso:	2,8 kg	3,1 kg	2,8 kg	3,1 kg

	DSP1512	DSP 2012	DSP1524	DSP 2024
N. art:	9600002547 9600003601	9600002549 9600003603 9600002561	9600002548 9600003602	9600002550 9600003604 9600002562
Tensione nominale di ingresso:	12 V \equiv		24 V \equiv	
Campo di tensione di ingresso:	10 – 16,5 V \equiv		20 – 33 V \equiv	
Potenza nominale:	1500 W	2000 W	1500 W	2000 W
Potenza massima per 1 min:	1725 W	2300 W	1725 W	2300 W
Potenza di picco per 1 s:	3000 W	4000 W	3000 W	4000 W
Assorbimento di corrente a vuoto con tensione nominale:	<1,2 A	<1,5 A	<0,6 A	<0,8 A
Potenza assorbita in stand-by:	<0,4 A	<0,5 A	<0,25 A	<0,3 A
Dimensioni L x P x A:	fig. 15			
Peso:	4,9 kg	5,2 kg	4,9 kg	5,2 kg

Dispositivi di protezione

	12 V	24 V
Ingresso:	Sottotensione, protezione contro l'inversione della polarità (fusibile interno)	
Uscita CA:	Sovratensione, cortocircuito, sovraccarico	
Temperatura:	Spegnimento	
Protezione da cortocircuito:	Sì, Ipk	

Protezione da sovratensione

Apparecchio	Sovratensione	
	Spegnimento	Riavvio
DSP612, DSP1012, DSP1512, DSP2012	16,5 V	15,5 V
DSP624, DSP1024, DSP1524, DSP2024	33 V	31 V

Protezione da sottotensione

Apparecchio	Sottotensione	
	Spegnimento	Riavvio
DSP612, DSP1012, DSP1512, DSP2012	10 V	12 V
DSP624, DSP1024, DSP1524, DSP2024	20 V	24 V

L'attuale dichiarazione di conformità UE per il proprio apparecchio è disponibile sulla relativa pagina del prodotto al sito dometic.com o direttamente tramite il produttore (vedi retro).

Lees deze handleiding voor de montage en de ingebruikname zorgvuldig door en bewaar hem. Geef de handleiding bij het doorgeven van het product aan de gebruiker.

Inhoudsopgave

1	Verklaring van de symbolen	121
2	Algemene veiligheidsinstructies	121
3	Omvang van de levering	125
4	Doelgroep van deze handleiding	125
5	Reglementair gebruik	125
6	Technische beschrijving	126
7	Omvormer monteren	128
8	Omvormer aansluiten	129
9	Omvormer gebruiken	131
10	Omvormer onderhouden en reinigen	134
11	Verhelpen van storingen	135
12	Garantie	136
13	Afvoer	136
14	Technische gegevens	136

1 Verklaring van de symbolen

**GEVAAR!**

Veiligheidsaanwijzing: Het niet naleven leidt tot overlijden of ernstig letsel.

**WAARSCHUWING!**

Veiligheidsaanwijzing: Het niet naleven kan leiden tot overlijden of ernstig letsel.

**LET OP!**

Het niet naleven ervan kan leiden tot materiële schade en de werking van het product beperken.

**INSTRUCTIE**

Aanvullende informatie voor het bedienen van het product.

2 Algemene veiligheidsinstructies

2.1 Algemene veiligheid

De fabrikant kan in de volgende gevallen niet aansprakelijk worden gesteld voor schade:

- montage- of aansluitfouten
- beschadiging van het product door mechanische invloeden en verkeerde aansluitspanning
- veranderingen aan het product zonder uitdrukkelijke toestemming van de fabrikant
- gebruik voor andere dan de in de handleiding beschreven toepassingen

Neem de volgende essentiële veiligheidsmaatregelen in acht bij het gebruik van elektrische toestellen, ter bescherming tegen:

- elektrische schokken
- brandgevaar
- verwondingen

2.2 Essentiële veiligheid



GEVAAR!

- Gebruik in het geval van brand een brandblusser die geschikt is voor elektrische toestellen.



WAARSCHUWING!

- Gebruik het toestel alleen volgens de voorschriften.
- Let erop dat de rode en zwarte klem elkaar **nooit** raken.
- Koppel het toestel los van het elektriciteitsnet
 - voor iedere reiniging en ieder onderhoud
 - voor het vervangen van een zekering
- Als u het toestel demonteert:
 - Maak alle verbindingen los.
 - Zorg ervoor dat alle in- en uitgangen spanningsvrij zijn.
- Als het toestel of de aansluitkabel zichtbaar beschadigd zijn, mag u het toestel niet in gebruik nemen.
- Als de aansluitkabel van dit toestel wordt beschadigd, moet deze, om gevaren te vermijden, door de fabrikant, de betreffende klantenservice of een gelijkwaardig gekwalificeerde persoon vervangen worden.
- Reparaties aan dit toestel mogen uitsluitend door vakmonteurs uitgevoerd worden. Door ondeskundige reparaties kunnen grote gevaren ontstaan.
- Dit toestel kan door kinderen vanaf 8 jaar en ouder evenals door personen met verminderde fysieke, zintuiglijke of geestelijke vermogens of tekortschietende ervaring en/of kennis gebruikt worden, als ze worden begeleid of hun is uitgelegd hoe ze het toestel veilig kunnen gebruiken. Ook dienen ze inzicht te hebben in de gevaren die het gebruik van het toestel met zich meebrengt.
- **Elektrische toestellen zijn geen speelgoed!**
Bewaar en gebruik het toestel buiten het bereik van kinderen.
- Er moet toezicht worden gehouden op kinderen, zodat ze niet met het toestel gaan spelen.



LET OP!

- Vergelijk voor de ingebruikneming de spanning op het typeplaatje met de aanwezige energievoorziening.
- Let erop dat andere voorwerpen **geen** kortsluiting bij de contacten van het toestel veroorzaken.

- Trek de stekker nooit aan de aansluitkabel uit het stopcontact.
- Bewaar het toestel op een droge en koele plaats.

2.3 Veiligheid bij de montage van het toestel



GEVAAR!

- Monteer het toestel niet op plaatsen waar gevaar voor gas- of stofexplosie bestaat.



VOORZICHTIG!

- Let op een stabiele stand!
Het toestel moet zo veilig opgesteld en bevestigd worden, dat het niet kan omvallen of naar beneden kan vallen.



LET OP!

- Stel het toestel niet bloot aan een warmtebron (zonnestraling, verwarming enz.). Vermijd zo een extra opwarming van het toestel.
- Stel het toestel op een droge en tegen spatwater beschermde plaats op.

2.4 Veiligheid bij de elektrische aansluiting van het toestel



GEVAAR! Levensgevaar door stroomschok!

- Als u aan elektrische installaties werkt, zorg er dan voor dat er iemand in de buurt is die u in geval van nood kan helpen.



WAARSCHUWING!

- Zorg voor een voldoende grote leidingdoorsnede.
- Leg de leidingen zo aan, dat ze niet door deuren of motorkappen beschadigd kunnen raken.
Geplette kabels kunnen tot levensgevaarlijke verwondingen leiden.



VOORZICHTIG!

- Installeer de leidingen zodanig dat er niet over gestruikeld kan worden en beschadiging van de kabel uitgesloten is.



LET OP!

- Gebruik holle buizen of leidingdoorvoeren, als leidingen door plaatwanden of andere wanden met scherpe randen geleid moeten worden.

- Plaats het 230-V-netsnoer en de 12-V-gelijkstroomleiding **niet** in dezelfde kabelgoot (holle buis).
- Leg de leidingen **niet** los of scherp geknikt.
- Bevestig de leidingen goed.
- Trek niet aan leidingen.

2.5 Veiligheid bij het gebruik van het toestel



GEVAAR! Levensgevaar door stroomschok!

- Blanke leidingen nooit met blote handen aanraken.



WAARSCHUWING!

- Gebruik het toestel uitsluitend in gesloten, goed geventileerde ruimtes.



VOORZICHTIG!


- Gebruik het toestel **niet**
 - in een zouthoudende, vochtige of natte omgeving
 - in de buurt van agressieve dampen
 - in de buurt van brandbare materialen
 - in explosieve omgevingen
- Let er voor de ingebruikneming op dat de toevoerleiding en de stekker droog zijn.
- Onderbreek bij werkzaamheden aan het toestel altijd de stroomtoevoer.
- Let erop dat ook na het activeren van de veiligheidsinrichting (zekering) delen van het toestel onder spanning kunnen blijven staan.
- Maak geen kabels los als het toestel nog in gebruik is.



LET OP!

- Let erop dat de luchtinlaat- en uitlaatopeningen van het toestel niet worden afgedekt.
- Let op een goede ventilatie.

3 Omvang van de levering

Pos. in afb. 	Omschrijving
1	Sinusomvormer
2	Afstandsbediening
3	Aansluitkabel afstandsbediening
–	Gebruiksaanwijzing

4 Doelgroep van deze handleiding

De hoofdstuk „Omvormer aansluiten” op pagina 129 is uitsluitend gericht op vak-kundige personen die met de betreffende VDE-richtlijnen vertrouwd zijn.

Alle overige hoofdstukken zijn ook bedoeld voor de gebruikers van het toestel.

5 Reglementair gebruik



WAARSCHUWING!

De omvormer mag niet worden gebruikt in voertuigen waarbij de plus-pool van de accu met het chassis is verbonden.

De omvormers worden gebruikt om gelijkspanning om te zetten in een wisselspanning van 230 V, 50 Hz.

- **12 V**: DSP612, DSP1012, DSP1512, DSP2012
- **24 V**: DSP624, DSP1024, DSP1524, DSP2024

6 Technische beschrijving

De omvormers kunnen overal gebruikt worden waar een DC-aansluiting voorhanden is.

- **12 V_{DC}**: DSP612, DSP1012, DSP1512, DSP2012
- **24 V_{DC}**: DSP624, DSP1024, DSP1524, DSP2024

Door het geringe gewicht en de compacte constructie kan dit toestel zonder problemen in campers, bedrijfsvoertuigen of motor- en zeilboten worden ingebouwd.

De uitgangsspanning komt overeen met de huishoudspanning uit het stopcontact (zuivere sinusspanning, vervorming <5 %).

Neem de waarden voor continu uitgangsvermogen en piekuitgangsvermogen in acht, zoals ze in hoofdstuk „Technische gegevens” op pagina 136 zijn aangegeven. Toestellen met een hogere vermogensbehoefte mogen niet worden aangesloten.



INSTRUCTIE

Houd er bij de aansluiting van toestellen met elektrische aandrijving (bijv. boormachine, koelkast, e.d.) rekening mee dat die voor het opstarten vaak een hoger vermogen nodig hebben dan is aangegeven op het typeplaatje.

De omvormer beschikt over verschillende beveiligingen:

- **Overspanningsbeveiliging:** De omvormer schakelt uit, als de spanningswaarde boven de uitschakelwaarde stijgt. Hij start weer, als de spanning tot de herstartwaarde daalt.
- **Onderspanningsbeveiliging:** De omvormer schakelt uit, als de spanningswaarde onder de uitschakelwaarde daalt. Hij start weer, als de spanning tot de herstartwaarde stijgt.
- **Oververhittingsbeveiliging:** De omvormer schakelt uit, als de temperatuur binnen in het toestel of de temperatuur bij de koelplaat hoger is dan een uitschakelwaarde. Hij start weer, als de spanning tot de herstartwaarde stijgt.
- **Overbelastingsbeveiliging en beveiliging tegen kortsluiting:** De led op de omvormer meldt een bedrijfsstoring, als er een te grote last is aangesloten of een kortsluiting werd veroorzaakt.



INSTRUCTIE

De afzonderlijke schakelwaarden vindt u in hoofdstuk „Technische gegevens” op pagina 136.

De omvormer kan in de volgende netvormen worden gebruikt:

- **TN-net:**

De nulleider van de omvormer is met massa verbonden. Een nageschakelde aardlekschakelaar moet geïnstalleerd zijn

- **IT-net:**

Beide fasen zijn geïsoleerd. Dit is geschikt voor gebruik van een verbruiker. Als meerdere verbruikers worden aangesloten, moet een veiligheidsconcept worden ontworpen (bijvoorbeeld isolatieschakelaar).

De netvorm wordt via een DIP-switch op de omvormer geconfigureerd.

De omvormer kan met de afstandsbediening in een energiebesparende modus worden geschakeld, zodat de aangesloten accu niet te snel ontladtd.

Met een afstandsbediening kan de omvormer worden in- en uitgeschakeld en de energiebesparende modus worden ingeschakeld.

6.1 Bedieningselementen

Pos. in afb. 2	Omschrijving	Beschrijving
1	Hoofdschakelaar	Schakelt het apparaat in en uit
2	Status-led	Zie hoofdstuk „Bedrijfsindicaties“ op pagina 132
3	DIP-switches	Stelt de netvorm in

6.2 Aansluitingen



INSTRUCTIE

Afgebeeld is de versie voor Continentaal Europa.

Pos. in afb. 2	Beschrijving
4	Wisselstroomcontactdoos
5	Aansluiting voor afstandsbediening
6	Gelijkstroom-aansluiting
7	Massaklem (aarding aan de carrosserie van het voertuig)
8	Ventilator

6.3 Afstandsbediening

Pos. in afb. 3	Omschrijving
1	Aan/uit-schakelaar
2	Status-led
3	Aansluiting voor afstandsbediening

7 Omvormer monteren

7.1 Benodigd gereedschap

Voor de **elektrische aansluiting** heeft u de volgende hulpmiddelen nodig:

- krimptang
- 3 flexibele aansluitkabels in verschillende kleuren. De vereiste diameter kunt u vinden in de tabel in het hoofdstuk „Omvormer aansluiten” op pagina 129.
- Kabelschoenen en adereindhulzen

Voor de **bevestiging** van de omvormer heeft u de volgende hulpmiddelen nodig:

- machineschroeven (M4) met onderlegschilden en zelfborgende moeren of
- plaat- resp. houtschroeven

7.2 Montage-instructies

Neem bij de keuze van de montageplaats de onderstaande instructies in acht:

- De omvormer kan horizontaal en verticaal worden gemonteerd.
- De omvormer moet op een plaats worden ingebouwd die beschermd is tegen vocht.
- De omvormer mag niet in omgevingen met ontvlambare materialen worden ingebouwd.
- De omvormer mag niet in stoffige omgevingen worden ingebouwd.
- De montageplaats moet goed geventileerd zijn. Bij installaties in gesloten, kleine ruimtes moet er ventilatie mogelijk zijn. De vrije minimumafstand om de omvormer moet minimaal 5 cm bedragen (afb. **4**).

- De luchtinlaat aan de achterzijde resp. de luchtuitlaat aan de voorzijde van de omvormer moeten vrij blijven.
- Bij omgevingstemperaturen die hoger zijn dan 40 °C (bijvoorbeeld in motor- of verwarmingsruimtes, direct zonlicht), kan de omvormer uitschakelen hoewel het vermogen van de aangesloten verbruikers onder nominale last ligt (derating).
- Het montagevlak moet vlak zijn en voldoende stevigheid bieden.

**LET OP!**

Controleer voor het boren of er geen elektrische kabels of andere delen van het voertuig door boren, zagen en vijlen beschadigd kunnen raken.

7.3 Omvormer monteren

- Monteer de omvormer zoals weergegeven (afb. **5**).

7.4 Afstandsbediening monteren

- Monteer de afstandsbediening zoals weergegeven (afb. **6**).
- Verwijder de beschermingsfolie.

8 Omvormer aansluiten

8.1 Algemene instructies

**WAARSCHUWING!**

- De aansluiting van de omvormer mag alleen door hiervoor opgeleide vakmensen worden uitgevoerd. De volgende informatie is bestemd voor vakmensen die vertrouwd zijn met de betreffende richtlijnen en veiligheidsmaatregelen.
 - Bij voertuigen waarbij de pluspool van de accu met het chassis is verbonden, mag de omvormer **niet** worden gebruikt.
 - Als u geen zekering in de **plusleiding** van de accu plaatst, kunnen de leidingen overbelast raken. Dit kan brand tot gevolg hebben.
-
- De omvormer moet bij installaties in voertuigen of boten met het chassis resp. met massa verbonden zijn.
 - Houd u bij de opbouw van een distributiekering via het stopcontact (netopbouw) aan de voorschriften van VDE 0100.
 - Gebruik uitsluitend koperkabels.

- Houd de gelijkspanningskabels zo kort mogelijk (< 1 m).
- Houd u aan de vereiste kabeldiameter en plaats een kabelzekering (afb. **7** 1) zo dicht mogelijk bij de accu in de plusleiding (zie tabel).

Toestel	Vereiste kabeldiameter	Kabelzekering
DSP612	25 mm ²	150 A
DSP624	25 mm ²	150 A
DSP1012	35 mm ²	200 A
DSP1024	25 mm ²	150 A
DSP1512	50 mm ²	250 A
DSP1524	25 mm ²	150 A
DSP2012	70 mm ²	300 A
DSP2024	35 mm ²	200 A

8.2 Omvormer aansluiten



LET OP!

- Zorg ervoor dat de polariteit niet wordt verwisseld. Verkeerde polariteit kan de omvormer beschadigen.
- Neem in acht dat de omvormer alleen met volgende spanning mag worden gebruikt.
 - DSP612, DSP1012, DSP1512, DSP2012: 12 V_{DC}
 - DSP624, DSP1024, DSP1524, DSP2024: 24 V_{DC}



INSTRUCTIE

Draai de schroeven of moeren vast met een aanhaalmoment van max. 15 Nm. Losse verbindingen kunnen tot oververhittingen leiden.

- Sluit de omvormer aan zoals weergegeven:
 - Accu aansluiten: afb. **7**
 - Massaklem aansluiten: afb. **8**
 - 230 V-uitgangsleiding aansluiten: afb. **9**

8.3 Afstandsbediening aansluiten

**LET OP!**

Steek de aansluiting voor de afstandsbediening alleen in de remote-poort. Door verkeerd aansluiten kan het toestel beschadigd raken.

- Sluit de afstandsbediening aan zoals weergegeven (afb. **10**).

8.4 Externe schakelaar aansluiten (toebehooren)

**INSTRUCTIE**

Als een externe schakelaar is aangesloten, kunt u de energiebesparingsmodus niet wijzigen.

- Sluit de externe schakelaar zoals weergegeven aan (afb. **11**).

9 Omvormer gebruiken

9.1 Omvormer inschakelen

- Zet de hoofdschakelaar (afb. **2** 1) van de omvormer in schakelaarstand aan:
 - „0”: Omvormer compleet uitgeschakeld
 - „I”: Normaal bedrijf
 - „II”: Bedrijf via afstandsbediening
- ✓ De omvormer voert een zelfdiagnose uit.
- ✓ Na de succesvolle zelfdiagnose toont de statusled (afb. **2** 2) de bedrijfstoestand:
 - Brandt constant: Normale modus geactiveerd
 - Knippert vier keer: Energiebesparingsmodus geactiveerd

9.2 Bedrijfsindicaties

De led (afb. **2** 2,) geeft de bedrijfstoestand van de omvormer aan.

Indicatie	Ingangsspanning
Continu branden	Normaal bedrijf
Lang knipperen, korte onderbreking	Omvormer oververhit/overbelast
Snel knipperen	Overspanning/onderspanning
Uit	Andere fout

De omvormer schakelt uit, als:

- De accuspanning daalt onder 10 V (12 V --- -aansluiting) resp. 20 V (24 V --- -aansluiting).
- De accuspanning stijgt boven 16 V (12 V --- -aansluiting) resp. 32 V (24 V --- -aansluiting).
- De omvormer wordt overbelast.
- De omvormer wordt oververhit.

Bij uitschakeling door overspanning of onderspanning schakelt de omvormer weer in, als de ingestelde spanningswaarde weer wordt bereikt.

Bij uitschakeling door overbelasting of oververhitting als volgt te werk gaan:

- Schakel de omvormer met de hoofdschakelaar (afb. **2** 1) uit.
- Controleer of de omvormer voldoende geventileerd wordt en of de ventilatoropeningen en ventilatiesleuven vrij zijn.
- Wacht ca. 5 – 10 min en schakel de omvormer zonder verbruiker weer in.

9.3 Energiebesparende modus instellen



INSTRUCTIE

- De omvormer wisselt automatisch naar normaal bedrijf, als een last boven 45°W wordt aangesloten.
- Als een externe schakelaar is aangesloten, kunt u de energiebesparingsmodus niet wijzigen.

Energiebesparingsmodus activeren

- Schakel de omvormer eventueel uit.
- Druk op de aan/uit-toets (afb. **3** 1) van de afstandsbediening tot de statusled (afb. **3** 2) van de afstandsbediening zes keer geknipperd heeft.
- ✓ Daarna knippert de statusled (afb. **3** 2) van de afstandsbediening om de 5°s.
- ✓ De energiebesparingsmodus is geactiveerd.

Energiebesparingsmodus deactiveren

- Schakel de omvormer uit.
- Druk op de aan/uit-toets (afb. **3** 1) van de afstandsbediening tot de statusled (afb. **3** 2) van de afstandsbediening permanent brandt.
Voordat de statusled constant brandt, geeft deze het uitschakelen van de energiebesparingsmodus weer door een interval van vier keer knipperen, gevolgd door zes keer knipperen.
- ✓ De normale modus is geactiveerd.

9.4 Netvorm instellen



GEVAAR!

Het wijzigen van de netvorm leidt tot levensgevaar. Instellingen aan de DIP-switch mogen alleen door vakpersoneel worden uitgevoerd.

Verwijder de beschermkap van de DIP-switch alleen om instellingen uit te voeren. Plaats de beschermkap weer zodat de DIP-switch niet kan worden versteld.

Met de DIP-switch kunt u vastleggen in welke netvorm de omvormer moet worden gebruikt.

Parameter	DIP-switches
TN-net Een externe, nageschakelde aardlekschakelaar is vereist.	Aan
IT-net Bedrijf alleen met een verbruiker of installatie van een externe isolatieschakelaar.	Uit

Nationale normen in acht nemen!

10 Omvormer onderhouden en reinigen



LET OP!

Geen scherpe of harde voorwerpen of reinigingsmiddelen bij het reinigen gebruiken. Dit kan het product beschadigen.

- Reinig het product af en toe met een vochtige doek.

11 Verhelpen van storingen



WAARSCHUWING!

Open het toestel niet. Er bestaat gevaar voor een elektrische schok!



INSTRUCTIE

Bij gedetailleerde vragen over de **gegevens van de omvormer** kunt u contact opnemen met de fabrikant (adressen, zie achterzijde van de handleiding).

De led (afb. **2** 2) geeft in rood de storing aan:

Led-indicatie	Oorzaak	Oplossing
Snel knipperen	Te hoge ingangsspanning	Controleer de ingangsspanning en verlaag deze.
	Te lage ingangsspanning	De accu moet worden opgeladen. Controleer de leidingen en verbindingen.
2 s branden, korte onderbreking	Thermische overbelasting	<p>Schakel de omvormer en de verbruiker uit.</p> <p>Wacht ca. 5 – 10 minuten en schakel de omvormer zonder verbruiker weer in.</p> <p>Verminder de belasting en zorg voor een betere ventilatie van de omvormer. Schakel daarna de verbruiker weer in.</p>
	Te hoge belasting	<p>Schakel de omvormer uit en verwijder de verbruiker.</p> <p>Schakel de omvormer zonder verbruiker weer in. Als er nu geen te hoge belasting meer wordt aangegeven, is er sprake van kortsluiting bij de verbruiker of was de volledige belasting hoger dan het vermogen dat in het gegevensblad stond.</p> <p>Controleer de leidingen en verbindingen.</p>
Uit	Andere fout	Neem contact op met de klantenservice.

12 Garantie

De wettelijke garantieperiode is van toepassing. Als het product defect is, wendt u zich tot het filiaal van de fabrikant in uw land (adressen zie achterkant van de handleiding) of tot uw speciaalzaak.

Voor de afhandeling van de reparatie of garantie dient u de volgende documenten mee te sturen:

- een kopie van de factuur met datum van aankoop,
- reden van de klacht of een beschrijving van de storing.

13 Afvoer


► Laat het verpakkingsmateriaal indien mogelijk recylen.



Als u het product definitief buiten bedrijf stelt, informeer dan bij het dichtstbijzijnde recyclingcentrum of uw speciaalzaak naar de betreffende afvoervorschriften.

14 Technische gegevens

Volgende technische gegevens gelden voor alle omvormers:

Uitgangsspanning:	230 V~ ± 10 %, zuivere sinusgolf (vervorming < 5 %)
Uitgangsfrequentie:	50 Hz ± 0,5 Hz
Rendement:	>90 %
Warmteafvoer:	temperatuur- en lastgestuurde ventilator
Omgevingstemperatuur bedrijf:	0 °C tot +50 °C
Omgevingstemperatuur opslag:	-30 °C tot +70 °C
Luchtvochtigheid:	0 – 95 %, niet-condenserend
Keurmerk/certificaat:	

	DSP612	DSP 1012	DSP624	DSP 1024
Artikelnr.:	9600002543 9600003597	9600002545 9600003599	9600002544 9600003598	9600002546 9600003600
Nominale ingangsspanning:	12 V \equiv		24 V \equiv	
Ingangsspanningsbereik:	10 – 16,5 V \equiv		20 – 33 V \equiv	
Nominaal vermogen:	600 W	1000 W	600 W	1000 W
Maximaal vermogen gedurende 1 min:	690 W	1150 W	690 W	1150 W
Piekvermogen gedurende 1 s:	1200 W	2000 W	1200 W	2000 W
Stroomverbruik bij nullast:	<0,8 A	<1,0 A	<0,5 A	<0,6 A
Stand-bystroomopname:	<0,3 A	<0,35 A	<0,2 A	<0,2 A
Afmetingen b x l x h:	afb. 15			
Gewicht:	2,8 kg	3,1 kg	2,8 kg	3,1 kg

	DSP1512	DSP 2012	DSP1524	DSP 2024
Artikelnr.:	9600002547 9600003601	9600002549 9600003603 9600002561	9600002548 9600003602	9600002550 9600003604 9600002562
Nominale ingangsspanning:	12 V \equiv		24 V \equiv	
Ingangsspanningsbereik:	10 – 16,5 V \equiv		20 – 33 V \equiv	
Nominaal vermogen:	1500 W	2000 W	1500 W	2000 W
Maximaal vermogen gedurende 1 min:	1725 W	2300 W	1725 W	2300 W
Piekvermogen gedurende 1 s:	3000 W	4000 W	3000 W	4000 W
Stroomverbruik bij nullast:	<1,2 A	<1,5 A	<0,6 A	<0,8 A
Stand-bystroomopname:	<0,4 A	<0,5 A	<0,25 A	<0,3 A
Afmetingen b x l x h:	afb. 15			
Gewicht:	4,9 kg	5,2 kg	4,9 kg	5,2 kg

Veiligheidsinrichtingen

	12 V	24 V
Ingang:	Onderspanning, beveiliging tegen verkeerd polen (interne zekering)	
AC-uitgang:	Overspanning, kortsluiting, overbelasting	
Temperatuur:	Uitschakeling	
Bescherming tegen kortsluiting:	Ja, lpk	

Overspanningsbeveiliging

Toestel	Overspanning	
	Uitschakeling	Herstart
DSP612, DSP1012, DSP1512, DSP2012	16,5 V	15,5 V
DSP624, DSP1024, DSP1524, DSP2024	33 V	31 V

Onderspanningsbeveiliging

Toestel	Onderspanning	
	Uitschakeling	Herstart
DSP612, DSP1012, DSP1512, DSP2012	10 V	12 V
DSP624, DSP1024, DSP1524, DSP2024	20 V	24 V

De actuele EG-conformiteitsverklaring voor uw apparaat ontvangt u op de desbetreffende productpagina van dometic.com of direct via de fabrikant (zie achterzijde).

Læs denne vejledning omhyggeligt igennem før installation og ibrugtagning, og opbevar den. Giv den til brugeren, hvis du giver produktet videre.

Indholdsfortegnelse

1	Forklaring af symbolerne	139
2	Generelle sikkerhedshenvisninger	140
3	Leveringsomfang	143
4	Målgruppe for denne vejledning	143
5	Korrekt brug	144
6	Teknisk beskrivelse	144
7	Montering af inverteren	146
8	Tilslutning af inverteren	148
9	Anvendelse af inverteren	150
10	Vedligeholdelse og rengøring af inverteren	152
11	Udbedring af fejl	153
12	Garanti	154
13	Bortskaffelse	154
14	Tekniske data	154

1 Forklaring af symbolerne



FARE!

Sikkerhedshenvisning: Manglende overholdelse medfører død eller alvorlig kvæstelse.



ADVARSEL!

Sikkerhedshenvisning: Manglende overholdelse kan medføre død eller alvorlig kvæstelse.

**VIGTIGT!**

Manglende overholdelse kan medføre materielle skader og begrænse produktets funktion.

**BEMÆRK**

Supplerende informationer om betjening af produktet.

2 Generelle sikkerhedshenvisninger

2.1 Generel sikkerhed

Producenten påtager sig intet ansvar for skader i følgende tilfælde:

- Monterings- eller tilslutningsfejl
- Beskadigelser på apparatet på grund af mekanisk påvirkning og forket tilslutningsspænding
- Ændringer på produktet uden udtrykkelig tilladelse fra producenten
- Anvendelse til andre formål end dem, der er beskrevet i vejledningen

Overhold følgende grundlæggende sikkerhedsforanstaltninger ved brug af elektriske apparater for at beskytte mod:

- Elektrisk stød
- Brandfare
- Kvæstelser

2.2 Grundlæggende sikkerhed

**FARE!**

- Anvend i tilfælde af brand en ildslukker, der er egnet til elektriske apparater.

**ADVARSEL!**

- Anvend kun apparatet til det formål, som det er bestemt til.
- Sørg for, at den røde og den sorte klemme **aldrig** berører hinanden.
- Afbryd apparatet fra nettet
 - før rengøring og vedligeholdelse
 - før et sikrings-skift

- Hvis du afmonterer apparatet:
 - Løsn alle forbindelser.
 - Kontrollér, at alle ind- og udgange er uden spænding.
- Hvis apparatet eller tilslutningskablet har synlige beskadigelser, må apparatet ikke tages i drift.
- Hvis dette apparats tilslutningskabel beskadiges, skal det udskiftes af producenten, dennes kundeservice eller en lignende kvalificeret person for at undgå farer.
- Reparationer på dette apparat må kun foretages af fagfolk. Ved ukorrekte reparationer kan der opstå betydelige farer.
- Dette apparat kan anvendes af børn over 8 år og derudover af personer med begrænsede fysiske, sans- eller mentale evner eller uden erfaring og/eller viden, hvis de er under opsyn eller blev instrueret i sikker brug af apparatet og forstår farerne, der følger heraf.
- **El-apparater er ikke legetøj!**
Opbevar og anvend apparatet uden for børns rækkevidde.
- Børn bør være under opsyn for at sikre, at de ikke leger med apparatet.



VIGTIGT!

- Sammenlign forud for ibrugtagning spændingsangivelsen på typeskiltet med energiforsyningen, der er til rådighed.
- Sørg for, at andre genstande **ikke** forårsager en kortslutning på apparatets kontakter.
- Træk aldrig stikket ud af stikdåsen med tilslutningskablet.
- Opbevar apparatet på et tørt og køligt sted.

2.3 Sikkerhed ved montering af apparatet



FARE!

- Montér ikke apparatet i områder, hvor der er fare for en gas- eller støvexplosion.



FORSIGTIG!

- Sørg for, at apparatet står sikkert!
Apparatet skal opstilles og fastgøres sikkert, så det ikke kan vælte eller falde ned.

**VIGTIGT!**

- Udsæt ikke apparatet for varmekilder (sol, varmeapparater osv.). På den måde undgår du yderligere opvarmning af apparatet.
- Stil apparatet på et tørt sted, der er beskyttet mod stænkvand.

2.4 Sikkerhed under elektrisk tilslutning af apparatet

**FARE! Livsfare på grund af elektrisk stød!**

- Når der arbejdes på elektriske anlæg, skal det kontrolleres, at der er nogen i nærheden, som kan hjælpe i et nødstilfælde.

**ADVARSEL!**

- Sørg for et tilstrækkeligt ledningstværsnit.
- Træk ledningerne, så de ikke kan blive beskadiget af døre eller motorhjelme.
Klemte ledninger kan føre til livsfarlige kvæstelser.

**FORSIGTIG!**

- Træk ledningerne, så der ikke er fare for at falde over dem, og en beskadigelse af kablet er udelukket.

**VIGTIGT!**

- Anvend tomme rør eller ledningsgennemføringer, når ledninger skal føres gennem pladevægge eller andre vægge med skarpe kanter.
- Træk **ikke** 230 V-netledningen og 12 V-jævnstrømsledningen i den samme kabelkanal (tomme rør)!
- Træk **ikke** ledningerne løst eller med skarpe knæk.
- Fastgør ledningerne godt.
- Træk ikke i ledninger.

2.5 Sikkerhed under anvendelse af apparatet

**FARE! Livsfare på grund af elektrisk stød!**

- Tag aldrig fat i uisolerede ledninger med bare hænder.

**ADVARSEL!**

- Anvend udelukkende apparatet i lukkede, godt ventilerede rum.

**FORSIGTIG!**

- Anvend **ikke** apparatet
 - i saltholdige, fugtige eller våde omgivelser
 - i nærheden af aggressive dampe
 - i nærheden af brændbare materialer
 - i områder med eksplosionsfare
- Kontrollér før ibrugtagning, at ledningen og stikket er tørre.
- Afbryd altid strømforsyningen ved arbejder på apparatet.
- Vær opmærksom på, at dele af apparatet stadig kan være spændingsførende, når beskyttelsesanordningen (sikring) er blevet udløst.
- Løsn ikke kabler, når apparatet stadig er i drift.

**VIGTIGT!**

- Tildæk ikke apparatets luftind- og -udgange.
- Sørg for god ventilation.

3 Leveringsomfang

Pos. på fig. 1	Betegnelse
1	Sinus inverter
2	Fjernbetjening
3	Tilslutningskabel fjernbetjening
–	Betjeningsvejledning

4 Målgruppe for denne vejledning

kapitlet „Tilslutning af inverteren“ på side 148 henvender sig udelukkende til fagfolk, der kender de pågældende VDE-retningslinjer.

Alle øvrige kapitler henvender sig også til brugerne af apparatet.

5 Korrekt brug



ADVARSEL!

Inverteren må ikke anvendes i køretøjer, hvor batteriets pluspol er forbundet med chassiset.

Inverterne er beregnet til at omforme jævnspænding til en 230 V-vekselspænding på 50 Hz:

- **12 V $\overline{=}$** : DSP612, DSP1012, DSP1512, DSP2012
- **24 V $\overline{=}$** : DSP624, DSP1024, DSP1524, DSP2024

6 Teknisk beskrivelse

Inverterne kan anvendes over alt, hvor der findes en DC-tilslutning.

- **12 V $\overline{=}$** : DSP612, DSP1012, DSP1512, DSP2012
- **24 V $\overline{=}$** : DSP624, DSP1024, DSP1524, DSP2024

På grund af den begrænsede vægt og den kompakte konstruktion kan dette apparat uden problemer monteres i autocampere, erhvervskøretøjer og motor- og sejlyachter.

Udgangsspændingen svarer til almindelig spænding fra stikdåsen (ren sinus-spænding, forvrængningsfaktor < 5 %).

Overhold værdierne for konstant udgangseffekt og spids-udgangseffekt, som de er anført i kapitlet „Tekniske data“ på side 154. Apparater, der har et højere effektforbrug, må ikke tilsluttes.



BEMÆRK

Vær ved tilslutning af apparater med elektrisk drev (f.eks. boremaskine, køleskab osv.) opmærksom på, at disse ofte har brug for en højere effekt, end der er angivet på typeskiltet, når de startes.

Inverteren har forskellige beskyttelsesmekanismer:

- **Overspændingsbeskyttelse:** Inverteren frakobles, hvis spændingsværdien stiger over frakoblingsværdien. Den starter igen, når spændingen falder til genstartsværdien.
- **Underspændingsbeskyttelse:** Inverteren frakobles, hvis spændingsværdien falder under frakoblingsværdien. Den starter igen, når spændingen stiger til genstartsværdien.

- **Overtemperaturbeskyttelse:** Inverteren frakobles, hvis temperaturen i apparatet eller temperaturen på kølelegemet stiger over en frakoblingsværdi. Den starter igen, når spændingen stiger til genstartsværdien.
- **Overbelastningsbeskyttelse og beskyttelse mod kortslutning:** Lysdioden på inverteren melder en driftsmelding, når der er tilsluttet en for stor belastning, eller hvis der er en kortslutning.



BEMÆRK

De enkelte koblingsværdier findes i kapitlet „Tekniske data“ på side 154.

Inverteren kan anvendes i følgende netformer:

- **TN-net:**
Inverterens neutralleder er forbundet med stel. Et efterfølgende fejlstrømsrelæ skal være installeret.
- **IT-net:**
De to faser er isoleret. Det er egnet til driften af en forbruger. Hvis der tilsluttes mere end en forbruger, skal der udkastes et beskyttelseskoncept (f.eks. isole-ringsovervågning).

Netformen konfigureres med en DIP-omskifter på inverteren.

Inverteren kan indstilles på en energibesparelsesmodus med fjernbetjeningen, så det tilsluttede batteri ikke aflades.

Med en fjernbetjening kan inverteren tændes og slukkes og energibesparelsesmodusen tilkobles.

6.1 Betjeningselementer

Pos. på fig. 2	Betegnelse	Beskrivelse
1	Hovedafbryder	Tænder eller slukker apparatet
2	Statuslysdioder	Se kapitlet „Driftsvisninger“ på side 150
3	DIP-omskifter	Indstiller netformen

6.2 Tilslutninger



BEMÆRK

Versionen for Kontinentaleuropa vises.

Pos. på fig. 2	Beskrivelse
4	Vekselstrømskikdåse
5	Tilslutning til fjernbetjening
6	Jævnstrøms tilslutning
7	Stelklemme (jordforbindelse på køretøjets karosseri)
8	Ventilator

6.3 Fjernbetjening

Pos. på fig. 3	Betegnelse
1	Tænd-/sluk-knap
2	Statuslysdioder
3	Tilslutning til fjernbetjening

7 Montering af inverteren

7.1 Nødvendigt værktøj

Til den **elektriske tilslutning** har du brug for følgende hjælpemidler:

- Krympetang
- 3 forskelligfarvede, fleksible tilslutningskabler. Det påkrævede tværsnit findes i tabellen i kapitlet „Tilslutning af inverteren“ på side 148.
- Kabelsko og muffe

Til **fastgørelsen** af inverteren har du brug for følgende monteringsmateriale:

- Maskinskruer (M4) med spændeskiver og selvflåsende møtrikker eller
- plade- eller træskruer

7.2 Monteringshenvisninger

Vær opmærksom på følgende henvisninger ved valg af monteringssted:

- Inverteren kan både monteres horisontalt og vertikalt.
- Inverteren skal monteres på et sted, der er beskyttet mod fugt.
- Inverteren må ikke monteres i omgivelser med antændelige materialer.
- Inverteren må ikke monteres i støvholdige omgivelser.
- Monteringsstedet skal være godt ventileret. Ved installation i lukkede, små rum skal der findes ventilation og udluftning. Den fri minimumafstand omkring inverteren skal mindst være på 5 cm (fig. **4**).
- Luftindgangen på bagsiden og luftudgangen på forsiden af inverteren skal forblive fri.
- Ved udenomstemperaturerne, der er højere end 40 °C (f.eks. i motor- eller fyringsrum, direkte sollys), kan inverteren frakoble, selvom de tilsluttede forbrugerens effekt ligger under mærkebelastningen (derating).
- Monteringsfladen skal være plan og tilstrækkeligt fast.



VIGTIGT!

Før du borer, skal du kontrollere, at elektriske kabler eller andre dele på køretøjet ikke beskadiges, når der bores, saves eller files.

7.3 Montering af inverteren

- Montér inverteren som vist (fig. **5**).

7.4 Montering af fjernbetjeningen

- Montér fjernbetjeningen som vist (fig. **6**).
- Fjern beskyttelsesfolien.

8 Tilslutning af inverteren

8.1 Generelle henvisninger



ADVARSEL!

- Tilslutningen må udelukkende installeres af fagfolk med tilsvarende uddannelse. De efterfølgende informationer henvender sig til fagfolk, der kender forskrifterne og sikkerhedsforanstaltningerne, der skal anvendes.
- Ved køretøjer, hvor batteriets pluspol er forbundet med chassiset, må inverteren **ikke** anvendes.
- Hvis der ikke monteres en sikring i batteriets **plus-ledning**, kan ledningerne blive overbelastet, og der kan opstå brand.

- Inverteren skal ved installation i køretøjer eller både være forbundet med chassiset eller stel.
- Overhold forskrifterne i VDE 0100, når der etableres en stikdåsefordelerkreds (netetablering).
- Anvend udelukkende kobberkabler.
- Hold jævnspændingskablerne så korte som muligt (< 1 m).
- Overhold det påkrævede kabeltværsnit, og montér en kabelsikring (fig. 7 1) så tæt som muligt på batteriet i plus-ledningen (se tabel).

Apparat	Påkrævet kabeltværsnit	Kabelsikring
DSP612	25 mm ²	150 A
DSP624	25 mm ²	150 A
DSP1012	35 mm ²	200 A
DSP1024	25 mm ²	150 A
DSP1512	50 mm ²	250 A
DSP1524	25 mm ²	150 A
DSP2012	70 mm ²	300 A
DSP2024	35 mm ²	200 A

8.2 Tilslutning af inverteren



VIGTIGT!

- Polerne må ikke byttes om. Forkert polaritet kan beskadige inverteren.
- Vær opmærksom på, at inverteren kun må anvendes med følgende spænding:
 - DSP612, DSP1012, DSP1512, DSP2012: 12 V ---
 - DSP624, DSP1024, DSP1524, DSP2024: 24 V ---



BEMÆRK

Spænd skruerne eller møtrikkerne fast med et drejningsmoment på maks. 15 Nm. Løse forbindelse kan medføre overophedning.

- Tilslut inverteren som vist på:
 - Tilslutning af batteriet: fig. **7**
 - Tilslutning af stelklemmen: fig. **8**
 - Tilslutning af 230 V-udgangsledning: fig. **9**

8.3 Tilslutning af fjernbetjeningen



VIGTIGT!

Sæt kun tilslutningen til fjernbetjeningen i Remote-porten. Apparatet kan blive beskadiget som følge af forkert tilslutning.

- Tilslut fjernbetjeningen som vist (fig. **10**).

8.4 Tilslutning af ekstern kontakt (tilbehør)



BEMÆRK

Ved at anvende en ekstern kontakt kan du ikke ændre energibesparelsesmodusens tilstand.

- Tænd en ekstern kontakt som vist (fig. **11**).

9 Anvendelse af inverteren

9.1 Tilkobling af inverteren

- ▶ Stil hovedafbryderen (fig. **2** 1) på inverteren som følger:
 - „0“: Inverter komplet frakoblet
 - „I“: Normal drift
 - „II“: Drift uden fjernbetjening
- ✓ Inverteren udfører en selvtest.
- ✓ Efter den afsluttede selvtest viser statuslysdioden (fig. **2** 2) driftstilstanden:
 - Lyser konstant: Normalmodus aktiveret
 - Blinker fire gange: Energibesparelsesmodus aktiveret

9.2 Driftsvisninger

Lysdioden (fig. **2** 2) viser inverterens driftstilstand.

Visning	Indgangsspænding
Lyser konstant	Normal drift
Blinker længe, kort afbrydelse	Inverter overophedet/overbelastning
Blinker hurtigt	Overspænding/underspænding
Fra	Anden fejl

Inverteren frakobles, hvis:

- Batterispændingen falder til under 10 V (12 V===-tilslutning) eller 20 V (24 V===-tilslutning).
- Batterispændingen stiger til over 16 V (12 V===-tilslutning) eller 32 V (24 V===-tilslutning).
- Inverteren overbelastes.
- Inverteren overophedes.

Ved frakobling på grund af overspænding eller underspænding tilkobles inverteren igen, hvis den indstillede spændingsværdi nås igen.

Gå frem på følgende måde ved frakobling på grund af overbelastning eller overophedning:

- ▶ Sluk inverteren med hovedafbryderen (fig. **2** 1).

- Kontrollér, om inverteren er tilstrækkeligt ventileret, og om ventilatoråbningerne og ventilationsåbningerne er fri.
- Vent ca. 5 – 10 min, og tænd inverteren igen uden forbruger.

9.3 Indstilling af energibesparelsesmodusen



BEMÆRK

- Inverteren skifter automatisk til den normale drift, når der tilsluttes en belastning over 45 W.
- Hvis du har tilsluttet en ekstern kontakt, kan du ikke ændre energibesparelsesmodusen.

Aktivering af energibesparelsesmodusen

- Sluk evt. inverteren.
- Tryk på tænd/sluk-knappen (fig. 3 1) på fjernbetjeningen, indtil statuslysdioden (fig. 3 2) på fjernbetjeningen har blinket seks gange.
- ✓ Derefter blinker statuslysdioden (fig. 3 2) på fjernbetjeningen for hver 5 sek.
- ✓ Energibesparelsesmodusen er aktiveret.

Deaktivering af energibesparelsesmodusen

- Sluk inverteren.
- Tryk på tænd/sluk-knappen (fig. 3 1) på fjernbetjeningen, indtil statuslysdioden (fig. 3 2) på fjernbetjeningen lyser konstant.
Før statuslysdioden lyser konstant, viser den frakoblingen af energibesparelsesmodusen med et interval på fire blink fulgt af seks blink.
- ✓ Normalmodusen er aktiveret.

9.4 Indstilling af netformen



FARE!

Ændringen af netformen fører til livsfare.
Indstillinger på DIP-omskifteren må kun foretages af fagfolk.
Fjern kun beskyttelseskappen på DIP-omskifteren for at indstille den.
Sæt beskyttelseskappen på igen, så DIP-omskifteren ikke kan indstilles forkert.

Med DIP-omskifteren kan du fastlægge, i hvilken netform inverteren skal anvendes.

Parameter	DIP-omskifter
TN-net Et eksternt, efterkoblet fejlstrømsrelæ er nødvendigt.	Til
IT-net Drift med kun en forbruger eller installation af en eksternt isoleringsovervågning.	Fra

Overhold nationale standarder!

10 Vedligeholdelse og rengøring af inverteren



VIGTIGT!

Anvend ikke skarpe eller hårde genstande eller rengøringsmidler til rengøring, da det kan beskadige produktet.

- Rengør af og til produktet med en fugtig klud.

11 Udbedring af fejl



ADVARSEL!

Åbn ikke apparatet. Du udsætter dig selv for fare for elektrisk stød!



BEMÆRK

Kontakt producenten i forbindelse med detaljerede spørgsmål om **inverterens data** (adresse, se vejledningens bagside).

Lysdioden (fig. **2** 2) viser fejlen:

Lysdiodevisning	Årsag	Udbedring
Blinker hurtigt	For høj indgangsspænding	Kontrollér indgangsspændingen, og reducer den.
	For lav indgangsspænding	Batteriet skal oplades. Kontrollér ledningerne og forbindelserne.
Lyser i 2 sek., kort afbrydelse	Termisk overbelastning	Sluk inverteren og forbrugeren. Vent ca. 5 – 10 minutter, og tænd inverteren igen uden forbrugeren. Reducér belastningen, og sørg for en bedre ventilation af inverteren. Tænd derefter forbrugeren igen.
	For kraftig belastning	Sluk inverteren, og fjern forbrugeren. Tænd derefter inverteren uden forbrugeren igen. Hvis der nu ikke længere vises for kraftig belastning, foreligger der en kortslutning på forbrugeren, eller den samlede belastning var højere end effekten, der er anført i databladet. Kontrollér ledningerne og forbindelserne.
Fra	Anden fejl	Kontakt kundeserviceafdelingen.

12 Garanti

Den lovbestemte garantiperiode gælder. Hvis produktet er defekt, skal du kontakte producentens afdeling i dit land (adresser, se vejledningens bagside) eller din forhandler.

Ved reparation eller krav om garanti skal du medsende følgende bilag:

- En kopi af regningen med købsdato
- En reklamationsgrund eller en fejlbeskrivelse

13 Bortskaffelse


► Bortskaf så vidt muligt emballagen sammen med det tilsvarende genbrugsaffald.



Hvis du tager produktet endegyldigt ud af drift, skal du kontakte det nærmeste recyclingcenter eller din faghandel for at få de pågældende forskrifter om bortskaffelse.

14 Tekniske data

Følgende tekniske data gælder for alle invertere:

Udgangsspænding:	230 V~ ± 10 %, ren sinusbølge (forvrængningsfaktor < 5 %)
Udgangsfrekvens:	50 Hz ± 0,5 Hz
Virkningsgrad:	>90 %
Varmeafgivelse:	Temperatur- og belastningsstyret ventilator
Udenomstemperatur drift:	0 °C til +50 °C
Udenomstemperatur opbevaring:	-30 °C til +70 °C
Luftfugtighed:	0 – 95 %, ikke-kondenserende
Godkendelse/certifikat:	

	DSP612	DSP 1012	DSP624	DSP 1024
Art.nr.:	9600002543 9600003597	9600002545 9600003599	9600002544 9600003598	9600002546 9600003600
Nominel indgangsspænding:	12 V ₌₌₌		24 V ₌₌₌	
Indgangsspændingsområde:	10 – 16,5 V ₌₌₌		20 – 33 V ₌₌₌	
Nominel effekt:	600 W	1000 W	600 W	1000 W
Maksimal effekt i 1 min.:	690 W	1150 W	690 W	1150 W
Maksimumeffekt i 1 sek.:	1200 W	2000 W	1200 W	2000 W
Tomgangsstrømforbrug ved nominel spænding:	<0,8 A	<1,0 A	<0,5 A	<0,6 A
Standby-strømforbrug:	<0,3 A	<0,35 A	<0,2 A	<0,2 A
Mål B x L x H:	fig. 15			
Vægt:	2,8 kg	3,1 kg	2,8 kg	3,1 kg

	DSP1512	DSP 2012	DSP1524	DSP 2024
Art.nr.:	9600002547 9600003601	9600002549 9600003603 9600002561	9600002548 9600003602	9600002550 9600003604 9600002562
Nominel indgangsspænding:	12 V ₌₌₌		24 V ₌₌₌	
Indgangsspændingsområde:	10 – 16,5 V ₌₌₌		20 – 33 V ₌₌₌	
Nominel effekt:	1500 W	2000 W	1500 W	2000 W
Maksimal effekt i 1 min.:	1725 W	2300 W	1725 W	2300 W
Maksimumeffekt i 1 sek.:	3000 W	4000 W	3000 W	4000 W
Tomgangsstrømforbrug ved nominel spænding:	<1,2 A	<1,5 A	<0,6 A	<0,8 A
Standby-strømforbrug:	<0,4 A	<0,5 A	<0,25 A	<0,3 A
Mål B x L x H:	fig. 15			
Vægt:	4,9 kg	5,2 kg	4,9 kg	5,2 kg

Beskyttelsesordninger

	12 V	24 V
Indgang:	Underspænding, polbeskyttelse (intern sikring)	
AC-udgang:	Overspænding, kortslutning, overbelastning	
Temperatur:	Frakobling	
Kortslutningsbeskyttelse:	Ja, IpK	

Overspændingsbeskyttelse

Apparat	Overspænding	
	Frakobling	Genstart
DSP612, DSP1012, DSP1512, DSP2012	16,5 V	15,5 V
DSP624, DSP1024, DSP1524, DSP2024	33 V	31 V

Underspændingsbeskyttelse

Apparat	Underspænding	
	Frakobling	Genstart
DSP612, DSP1012, DSP1512, DSP2012	10 V	12 V
DSP624, DSP1024, DSP1524, DSP2024	20 V	24 V

Den aktuelle EU-overensstemmelseserklæring for dit apparat får du på den pågældende produktside på dometic.com eller direkte hos producenten (se bagsiden).

Läs igenom anvisningarna noga innan produkten monteras och används. Spara monterings- och bruksanvisningen för senare bruk. Överlämna bruksanvisningen till den nya ägaren vid ev. vidareförsäljning.

Innehållsförteckning

1	Förklaring av symboler	158
2	Allmänna säkerhetsanvisningar	158
3	Leveransomfattning.	161
4	Målgrupp.	162
5	Ändamålsenlig användning	162
6	Teknisk beskrivning.	162
7	Montera växelriktaren	164
8	Ansluta växelriktaren	166
9	Använda växelriktaren.	168
10	Skötsel och rengöring av växelriktaren	170
11	Felsökning	171
12	Garanti	172
13	Avfallshantering.	172
14	Tekniska data.	172

1 Förklaring av symboler

**FARA!**

Observera: Beaktas anvisningen ej leder det till dödsfara eller svåra skador.

**VARNING!**

Observera: Beaktas anvisningen ej kan det leda till dödsfara eller svåra skador.

**OBSERVERA!**

Om anvisningarna inte beaktas kan det leda till materialskador och produktens funktion kan påverkas negativt.

**ANVISNING**

Kompletterande information om användning av produkten.

2 Allmänna säkerhetsanvisningar

2.1 Allmän säkerhet

Tillverkaren övertar inget ansvar för skador i följande fall:

- monterings- eller anslutningsfel
- skador på produkten orsakade av mekanisk påverkan eller fel anslutnings-spänning
- ändringar som utförts utan uttryckligt medgivande från tillverkaren
- ej ändamålsenlig användning

Observera nedanstående, grundläggande säkerhetsanvisningar för elapparater för att förhindra:

- Elektriska stötar
- Brandfara
- Skador

2.2 Allmän säkerhet



FARA!

- Vid brand, använd en brandsläckare som är lämplig för elektriska apparater.



VARNING!

- Apparaten får endast användas ändamålsenligt.
- Den röda och svarta klämman får **aldrig** vidröra varandra.
- Koppla bort apparaten från elnätet
 - före rengöring och underhåll
 - före byte av säkring
- Om apparaten demonteras:
 - Lossa alla anslutningar.
 - Säkerställ att alla in- och utgångar är fria från spänning.
- Om apparaten eller anslutningskabeln uppvisar synliga skador får apparaten ej tas i drift.
- Om apparatens anslutningskabel skadas måste den bytas ut av tillverkarens kundtjänst eller andra personer som är kvalificerade för liknande arbeten, för att onödiga risker ska undvikas.
- Denna apparat får endast repareras av härför utbildad personal. Icke fackmässiga reparationer kan leda till att allvarliga faror uppstår.
- Denna apparat kan användas av barn från 8 år samt personer med fysiska, sensoriska eller mentala funktionshinder eller oerfarenhet och/eller ovetande under uppsikt av en ansvarig person eller om de har undervisats hur apparaten används på ett säkert sätt utan att faror uppstår.
- **Elapparater är inga leksaker!**
Förvara och använd apparaten utom räckhåll för barn.
- Barn bör hållas under uppsikt, så att de inte leker med apparaten.



OBSERVERA!

- Jämför spänningsinformationen på typskylten med spänningen på ditt uttag innan apparaten tas i drift.
- Se till att andra föremål **inte** orsakar en kortslutning på apparaten.
- Dra aldrig i sladden när du ska dra ut kontakten ur uttaget.
- Förvara apparaten på en torr och sval plats.

2.3 Säkerhet vid montering av apparaten



FARA!

- Montera inte apparaten i områden där det finns risk för gas- eller dammexplosion.



AKTA!

- Se till att apparaten står stadigt!
Apparaten måste ställas upp och fästas så att den inte kan välta eller falla ner.



OBSERVERA!

- Apparaten får inte komma nära en värmekälla (direkt solljus, element, o.s.v.). På så sätt undviks att apparaten blir ännu varmare.
- Ställ apparaten på en torr och stänkvattenskyddad plats.

2.4 Säkerhet vid elektrisk anslutning av apparaten



FARA! Livsfara p.g.a. elektriska stötar!

- När du arbetar på elektriska anläggningar, säkerställ att någon annan är i närheten som kan hjälpa dig i nödfall.



VARNING!

- Se till att kabelarean är tillräcklig.
- Dra ledningarna så att de inte kan skadas av dörrar eller motorhuvar.
Klämda kablar kan leda till livsfarliga skador.



AKTA!

- Dra ledningarna så att ingen kan snubbla över dem och så att ledningarna inte kan skadas



OBSERVERA!

- Använd tomma rör eller kabelkanaler när ledningarna dras genom plåtväggar eller andra väggar med vassa kanter.
- Lägg **inte** 230 V-nätledningen och 12 V-likströmsledningen i samma kabelkanal (tomt rör).
- Lägg **inte** ledningarna löst eller så att de knäckas eller brytas.
- Fäst ledningarna ordentligt.
- Dra inte i ledningarna.

2.5 Säkerhet vid drift av apparaten



FARA! Livsfara p.g.a. elektriska stötar!

- Vidrör inte ledningarna med bara händer.



WARNING!

- Använd apparaten endast i slutna och väl ventilerade utrymmen.



AKTA!

- Använd **inte** apparaten
 - i salthaltiga, fuktiga eller blöta omgivningar
 - i närheten av aggressiva ångor
 - i närheten av brännbara material
 - i explosionsfarliga omgivningar
- Kontrollera före idrifttagningen att ledningarna och kontakten är torra.
- Koppla alltid bort strömförsörjningen före arbeten på apparaten.
- Observera att även om säkringen löser ut kan delar av apparaten fortfarande leda spänning.
- Lossa ingen kabel om apparaten fortfarande är i drift.



OBSERVERA!

- Se till att ventilationen (in och ut) inte täcks över.
- Se till att ventilationen är god.

3 Leveransomfattning

Pos. på bild 1	Beteckning
1	Sinusväxelriktare
2	Fjärrkontroll
3	Anslutningskabel fjärrkontroll
–	Bruksanvisning

4 Målgrupp

kapitel "Ansluta växelriktaren" på sidan 166 riktar sig endast till behörigt fackfolk som har kännedom om relevanta VDE-direktiv.

Alla andra kapitel riktar sig även till apparatens ägare/användare.

5 Ändamålsenlig användning



VARNING!

Växelriktaren får inte användas på fordon där batteriets pluspol är kopplad till chassit.

Växelriktarna används för att omvandla likspänning till 230 V växelspanning med 50 Hz:

- **12 V $\overline{=}$** : DSP612, DSP1012, DSP1512, DSP2012
- **24 V $\overline{=}$** : DSP624, DSP1024, DSP1524, DSP2024

6 Teknisk beskrivning

Växelriktarna kan användas överallt där det finns en DC-anslutning.

- **12 V $\overline{=}$** : DSP612, DSP1012, DSP1512, DSP2012
- **24 V $\overline{=}$** : DSP624, DSP1024, DSP1524, DSP2024

Den låga vikten och det kompakta utförandet gör att modellerna enkelt kan monteras i husbilar, nyttofordon, motor- och segelbåtar.

Utgångsspänningen motsvarar hushållsspänningen ur normala uttag (ren sinus-spänning, klirrfaktor <5 %).

Observera uppgifterna om kontinuerlig uteffekt och högsta uteffekt som anges i kapitel "Tekniska data" på sidan 172. Apparater med större effektbehov får inte anslutas.



ANVISNING

Beakta att eldrivna apparater (t.ex. bormaskiner, kylskåp etc) ofta har större effektbehov under startfasen än vad som anges på typskylten.

Växelriktarna har olika skyddsmekanismer:

- **Överspänningsskydd:** Växelriktaren stängs av när spänningsvärdet överstiger avstängningsvärdet. Den startar igen när spänningen sjunker till startvärdet.

- **Underspänningskydd:** Växelriktaren stängs av när spänningsvärdet sjunker under avstängningsvärdet. Den startar igen när spänningen sjunker till startvärdet.
- **Övertemperaturskydd:** Växelriktaren stängs av om temperaturen i en apparat eller temperaturen på kylelementet överstiger avstängningsvärdet. Den startar igen när spänningen sjunker till startvärdet.
- **Överbelastningskydd och skydd mot kortslutning:** Lysdioden på växelriktaren indikerar drifffel , för stor last eller kortslutning.



ANVISNING

De olika kopplingsvärdena finns i kapitel "Tekniska data" på sidan 172.

Växelriktaren kan anslutas till följande nättyper:

- **TN-nät:**
Växelriktarens neutralledare ansluts till jord. En efterkopplad jordfelsbrytare (FI-brytare) måste vara installerad.
- **IT-nät:**
Båda faserna är isolerade. Det här alternativet lämpar sig om endast en förbrukare ska anslutas. Om fler än en förbrukare ska anslutas måste det finnas ett skyddskoncept (t.ex. isolationsvakter).

Nättyper konfigureras med hjälp av en DIP-switch på växelriktaren.

Med fjärrkontrollen kan växelriktaren försättas i ett energisparläge så att det anslutna batteriet inte laddas ur för snabbt.

Fjärrkontrollen används för att slå på och av växelriktaren och för att aktivera energisparläget.

6.1 Reglage

Pos. på bild 2	Beteckning	Beskrivning
1	Huvudbrytare	Slår på och av apparaten
2	Statuslysdiod	Se kapitel "Lysdioder" på sidan 168
3	DIP-switch	Ställer in nättyper

6.2 Anslutningar



ANVISNING

På bilden visas versionen för Kontinentaleuropa.

Pos. på bild 2	Beskrivning
4	Växelströmsuttag
5	Anslutning för fjärrkontroll
6	Likströmsanslutning
7	Jordanslutning (jordning på fordonskarossen)
8	Fläkt

6.3 Fjärrkontroll

Pos. på bild 3	Beteckning
1	På/av-knapp
2	Statuslysdiod
3	Anslutning för fjärrkontroll

7 Montera växelriktaren

7.1 Verktyg

För **elanslutningen** krävs följande hjälpmedel:

- Crimptång
- 3 olikfärgade flexibla anslutningskablar. Kabelarea, se tabellen i kapitel "Ansluta växelriktaren" på sidan 166.
- Kabelskor och ändhylsor för ledare

För **fastsättning** av växelriktaren krävs följande monteringshjälpmedel:

- Maskinskruvor (M4) med underläggsbrickor och självlåsande muttrar eller
- Plåt- resp. träskruvar

7.2 Monteringsanvisningar

Beakta följande anvisningar vid monteringen:

- Växelriktaren kan monteras horisontellt eller vertikalt.
- Växelriktaren måste monteras på ett ställe som är skyddat mot fukt.
- Växelriktaren får inte monteras i närheten av antändbart material.
- Växelriktaren får inte monteras i dammiga omgivningar.
- Monteringsstället måste ha god ventilation. Vid installation i slutna utrymmen måste man se till att det finns god ventilation (till- och frånluft). Runt omkring växelriktaren måste det finnas minst 5 cm fritt utrymme (bild **4**).
- Ventilationsöppningarna på växelriktarens baksida och framsida får inte täckas över.
- Om omgivningstemperaturen är högre än 40 °C (t.ex. i motor- eller pannrum, direkt solljus) kan det hända att växelriktaren stängs av trots att de anslutna förbrukarnas effekt ligger under nominell belastning (derating).
- Montera apparaten på en jämn och stabil yta.



OBSERVERA!

Innan borrar göras: kontrollera att inga elkablar eller andra delar kan skadas genom borrar, sågning eller filning.

7.3 Montera växelriktaren

- Montera växelriktaren enligt illustrationen (bild **5**).

7.4 Montera fjärrkontroll

- Montera fjärrkontrollen enligt illustrationen (bild **6**).
- Ta bort skyddsfoliet.

8 Ansluta växelriktaren

8.1 Allmän information



VARNING!

- Växelriktaren får endast anslutas av behöriga installatörer. Informationen nedan riktar sig till installatörer som har kännedom om gällande direktiv och säkerhetsåtgärder.
- Växelriktaren får **inte** användas för fordon där batteriets pluspol är kopplad till chassit.
- Om ingen säkring sätts in i batteriets **pluskabel** kan ledningarna överbelastas, vilket kan leda till brand.

- När växelriktaren installeras i fordon eller på båtar måste den anslutas till chassit resp. till jord.
- Beakta föreskrifterna i VDE 0100 när elanläggningen (nät) planeras/installeras.
- Använd endast kopparkablar.
- Använd så korta likspänningskablar som möjligt (< 1 m).
- Se till att kabelarean stämmer och sätt in en kabelsäkring (bild **7** 1) så nära batteriet som möjligt i pluskabeln (se tabell).

Apparat	Erforderlig kabelarea	Kabelsäkring
DSP612	25 mm ²	150 A
DSP624	25 mm ²	150 A
DSP1012	35 mm ²	200 A
DSP1024	25 mm ²	150 A
DSP1512	50 mm ²	250 A
DSP1524	25 mm ²	150 A
DSP2012	70 mm ²	300 A
DSP2024	35 mm ²	200 A

8.2 Ansluta växelriktaren



OBSERVERA!

- Se till att polerna ansluts rätt. Felaktig polaritet kan skada växelriktaren.
- Växelriktaren får endast anslutas till följande spänning:
 - DSP612, DSP1012, DSP1512, DSP2012: 12 V $\overline{=}$
 - DSP624, DSP1024, DSP1524, DSP2024: 24 V $\overline{=}$



ANVISNING

Dra åt skruvarna eller muttrarna med ett åtdragningsmoment på max. 15 Nm. Lösa kopplingar kan leda till överhettning.

- Anslut växelriktaren så som det visas på bilden:
 - Anslut batteriet: bild **7**
 - Anslut jordanslutningen: bild **8**
 - Anslut 230 V utgångskabeln: bild **9**

8.3 Ansluta fjärrkontrollen



OBSERVERA!

Anslut alltid fjärrkontrollen till remote-porten. Apparaten kan skadas vid felaktig anslutning.

- Anslut fjärrkontrollen enligt illustrationen (bild **10**).

8.4 Anslutning av en extern strömbrytare (tillbehör)



ANVISNING

Om man använder en extern strömbrytare kan man inte ändra energisparlägets status.

- Anslut den externa strömbrytaren enligt bilden (bild **11**).

9 Använda växelriktaren

9.1 Slå på växelriktaren

- ▶ Ställ växelriktarens huvudbrytare (bild **2** 1,) enligt följande:
 - "0": Växelriktaren är helt avstängd
 - "I": Normal drift
 - "II": Användning med fjärrkontroll
- ✓ Växelriktaren genomför ett självttest.
- ✓ Efter självttestet visar statuslysdioden (bild **2** 2) aktuell driftstatus:
 - Lyser konstant: Normal drift aktiverad
 - Blinkar fyra gånger: Energisparläge aktiverat

9.2 Lysdioder

Lysdioden (bild **2** 2,) indikerar växelriktarens driftläge.

Lysdiod	Ingångsspänning
Lyser konstant	Normal drift
Blinkar långsamt, kort paus	Växelriktaren överhettad/överbelastning
Blinkar snabbt	Överspänning/underspänning
Av	Annat fel

Växelriktaren stängs av:

- Om batterispänningen sjunker under 10 V (12 V---anslutning) resp. 20 V (24 V---anslutning).
- Om batterispänningen överstiger 16 V (12 V---anslutning) resp. 32 V (24 V---anslutning).
- Växelriktaren överbelastas.
- Växelriktaren överhettas.

När växelriktaren har stängts av på grund av överspänning eller underspänning startar den igen när det inställda spänningsvärdet nås.

Vid avstängning på grund av överbelastning eller överhettning:

- ▶ Stäng av växelriktaren med huvudbrytaren (bild **2** 1).

- Kontrollera att växelriktaren har god ventilation och att fläkt- och luftöppningarna inte är övertäckta.
- Vänta ca 5 – 10 min och slå på växelriktaren utan förbrukare igen.

9.3 Ställa in energisparläget



ANVISNING

- Växelriktaren övergår automatiskt till normal drift när en last på över 45 W ansluts.
- Om man har anslutit en extern strömbrytare är det inte möjligt att ändra energisparläget.

Aktivera energisparläget

- Stäng ev. av växelriktaren.
- Tryck på fjärrkontrollens På/Av-knapp (bild **3** 1) tills fjärrkontrollens statuslysdiod (bild **3** 2) har blinkat sex gånger.
- ✓ Sedan blinkar fjärrkontrollens statuslysdiod (bild **3** 2) var 5:e sek.
- ✓ Energisparläget är aktiverat.

Inaktivera energisparläget

- Stäng av växelriktaren.
- Tryck på fjärrkontrollens På/Av-knapp (bild **3** 1) tills fjärrkontrollens statuslysdiod (bild **3** 2) lyser med fast sken.
Innan statuslysdioden lyser med fast sken visas det faktum att energisparläget är avstängt med ett intervall där det förekommer fyra blinkningar och sedan sex blinkningar.
- ✓ Standardläget är aktiverat.

9.4 Ställa in nättyp



FARA!

Det innebär livsfara att ändra nättyp.

DIP-switchen får endast ställas in av behörig personal

Ta endast bort skyddet från DIP-switchen när inställningar ska göras. Sätt sedan på skyddet igen så att DIP-switchens inställning inte kan ändras.

Med DIP-switchen ställer man in vilken nättyp som ska användas för växelriktaren.

Parameter	DIP-switch
TN-nät Extern, efterkopplad jordfelsbrytare (FI-brytare) måste finnas.	På
IT-nät Endast för en förbrukare, eller installation av extern av extern installationsvakt. Observera nationella regler och bestämmelser!	Av

10 Skötsel och rengöring av växelriktaren



OBSERVERA!

Använd inga vassa eller hårda föremål för rengöring, använd inga skarpa rengöringsmedel; produkten kan skadas.

- Rengör produkten då och då med en fuktig trasa.

11 Felsökning



VARNING!

Öppna inte apparaten. Risk för strömstötar!



ANVISNING

Kontakta tillverkaren (adress på handbokens baksida) om du önskar detaljerad information om **växelriktarens data**.

Lysdioden (bild **2** 2) indikerar felet:

Lysdiod	Orsak	Åtgärd
Blinkar snabbt	För hög ingångsspänning	Kontrollera ingångsspänningen, sänk den.
	För låg ingångsspänning	Batteriet måste laddas. Kontrollera kablarna och anslutningarna.
Lyser 2 s, kort paus	Termisk överbelastning	Stäng av växelriktaren och förbrukaren. Vänta ca 5 – 10 minuter och slå på växelriktaren utan förbrukare igen. Minska belastningen och förbättra växelriktarens ventilation. Slå på förbrukaren igen.
	För stor belastning	Stäng av växelriktaren och ta bort förbrukaren. Slå på växelriktaren utan förbrukare. Om det nu inte indikeras för hög belastning längre finns det en kortslutning i förbrukaren, eller den totala belastningen var större än värdet som anges i databladet. Kontrollera kablarna och anslutningarna.
Av	Annat fel	Kontakta kundtjänst.

12 Garanti

Den lagstadgade garantitiden gäller. Om produkten är defekt: kontakta tillverkarens kontor i ditt land (adresser, se bruksanvisningens baksida) eller återförsäljaren.

Vid reparations- resp. garantiärenden ska följande skickas med:

- en kopia på fakturan med inköpsdatum,
- en reklamationsbeskrivning/felbeskrivning.

13 Avfallshantering


► Lämna om möjligt förpackningsmaterialet till återvinning.



När produkten slutgiltigt tas ur bruk: informera dig om gällande bestämmelser hos närmaste återvinningscentral eller hos återförsäljaren.

14 Tekniska data

Följande tekniska data gäller för alla växelriktare:

Utgångsspänning:	230 V \sim \pm 10 %, ren sinusspänning (klirrfaktor < 5 %)
Utgångsfrekvens:	50 Hz \pm 0,5 Hz
Verkningsgrad:	>90 %
Värmeavledning:	Temperatur- och laststyrd fläkt
Omgivningstemperatur vid drift:	0 °C till +50 °C
Omgivningstemperatur vid förvaring:	-30 °C till +70 °C
Luftfuktighet:	0 – 95 %, ej kondenserande
Provning/certifikat:	

	DSP612	DSP 1012	DSP624	DSP 1024
Art.nr:	9600002543 9600003597	9600002545 9600003599	9600002544 9600003598	9600002546 9600003600
Nominell ingångsspänning:	12 V \equiv		24 V \equiv	
Ingångsspänning:	10 – 16,5 V \equiv		20 – 33 V \equiv	
Märkeffekt:	600 W	1000 W	600 W	1000 W
Max. effekt för 1 min:	690 W	1150 W	690 W	1150 W
Toppeffekt för 1 s:	1200 W	2000 W	1200 W	2000 W
Strömbehov vid tomgång och nominell spänning:	<0,8 A	<1,0 A	<0,5 A	<0,6 A
Standby-strömbehov:	<0,3 A	<0,35 A	<0,2 A	<0,2 A
Mått B x L x H:	bild 15			
Vikt:	2,8 kg	3,1 kg	2,8 kg	3,1 kg

	DSP1512	DSP 2012	DSP1524	DSP 2024
Art.nr:	9600002547 9600003601	9600002549 9600003603 9600002561	9600002548 9600003602	9600002550 9600003604 9600002562
Nominell ingångsspänning:	12 V \equiv		24 V \equiv	
Ingångsspänning:	10 – 16,5 V \equiv		20 – 33 V \equiv	
Märkeffekt:	1500 W	2000 W	1500 W	2000 W
Max. effekt för 1 min:	1725 W	2300 W	1725 W	2300 W
Toppeffekt för 1 s:	3000 W	4000 W	3000 W	4000 W
Strömbehov vid tomgång och nominell spänning:	<1,2 A	<1,5 A	<0,6 A	<0,8 A
Standby-strömbehov:	<0,4 A	<0,5 A	<0,25 A	<0,3 A
Mått B x L x H:	bild 15			
Vikt:	4,9 kg	5,2 kg	4,9 kg	5,2 kg

Skyddsanordningar

	12 V	24 V
Ingång:	Underspänning, skydd mot polförväxling (intern säkring)	
AC utgång:	Överspänning, kortslutning, överbelastning	
Temperatur:	Avstängning	
Kortslutningsskydd:	Ja, IpK	

Överspänningsskydd

Apparat	Överspänning	
	Avstängning	Omstart
DSP612, DSP1012, DSP1512, DSP2012	16,5 V	15,5 V
DSP624, DSP1024, DSP1524, DSP2024	33 V	31 V

Underspänningsskydd

Apparat	Underspänning	
	Avstängning	Omstart
DSP612, DSP1012, DSP1512, DSP2012	10 V	12 V
DSP624, DSP1024, DSP1524, DSP2024	20 V	24 V

Aktuell EU-försäkran om överensstämmelse för maskinen kan erhållas från respektive produktsida på dometic.com eller direkt via tillverkaren (se baksida).

Les bruksanvisningen nøye før du monterer og tar apparatet i bruk, og ta vare på den. Hvis produktet selges videre, må du sørge for å gi bruksanvisningen videre også.

Innholdsfortegnelse

1	Symbolforklaring	176
2	Generelle sikkerhetsregler	176
3	Leveringsomfang	179
4	Målgruppen for denne veiledningen	180
5	Forskriftsmessig bruk	180
6	Teknisk beskrivelse	180
7	Montere vekselretter	182
8	Koble til vekselretteren	184
9	Bruk av vekselretteren	186
10	Stell og rengjøring av vekselretteren	188
11	Feilsøking	189
12	Garanti	190
13	Avfallsbehandling	190
14	Tekniske data	190

1 Symbolforklaring

**FARE!**

Sikkerhetsregel: Hvis man ikke overholder denne regelen, fører det til død eller alvorlig skade.

**ADVARSEL!**

Sikkerhetsregel: Hvis man ikke overholder denne regelen, kan det føre til død eller alvorlig skade.

**PASS PÅ!**

Hvis man ikke overholder denne regelen, kan det føre til materielle skader og skade funksjonen til produktet.

**MERK**

Utfyllende informasjon om bruk av produktet.

2 Generelle sikkerhetsregler

2.1 Generell sikkerhet

Produsenten tar i følgende tilfeller intet ansvar for skader:

- Montasje- eller tilkoblingsfeil
- Skader på produktet på grunn av mekanisk påvirkning og feil tilkoblingsspenning
- Endringer på produktet uten at det er gitt uttrykkelig godkjenning av produsenten
- Bruk til andre formål enn det som er beskrevet i veiledningen

Overhold følgende grunnleggende sikkerhetsregler ved bruk av elektriske apparater for å beskytte mot:

- Elektrisk støt
- Brannfare
- Skader

2.2 Grunnleggende sikkerhet



FARE!

- Bruk i tilfelle brann et brannslukningsapparat som er egnet for elektriske apparater.



ADVARSEL!

- Bruk apparatet kun til det det er beregnet for.
- Pass på at du **ikke** berører den røde og den svarte klemmen.
- Koble apparatet fra strømmettet.
 - før rengjøring og stell
 - før bytting av sikring
- Hvis du demonterer apparatet:
 - Løsne alle forbindelsene.
 - Forsikre deg om at alle inn- og utganger er spenningsfrie.
- Hvis apparatet eller tilkoblingskabelen har synlige skader, må det ikke brukes.
- Hvis tilkoblingskabelen på dette apparatet blir skadet, må den erstattes av produsent, kundeservice eller annen kvalifisert person for å unngå farlige situasjoner.
- Reparasjoner på dette apparatet må kun utføres av fagfolk. Feil reparasjoner kan føre til betydelige skader.
- Dette apparatet kan brukes av barn fra 8 år og oppover, og av personer med nedsatte fysiske, sensoriske eller mentale evner eller manglende erfaring og/eller kunnskap, når de er under oppsikt eller har fått opplæring i sikker bruk av apparatet og hvilke farer som er forbundet med det.
- **Elektriske apparater er ikke beregnet for barn!**
Oppbevar og bruk apparatet utenfor barns rekkevidde.
- Barn skal være under tilsyn for å sikre at de ikke leker med apparatet.



PASS PÅ!

- Før igangsetting må du sammenligne spenningsspesifikasjonene på merkeskiltet med tilgjengelig strømtilførsel.
- Påse at andre gjenstander **ikke** forårsaker kortslutning på kontaktene til apparatet.
- Trekk aldri støpslet ut av stikkkontakten etter ledningen.
- Lagre apparatet på et tørt og kjølig sted.

2.3 Sikkerhet ved montering av apparatet



FARE!

- Ikke monter apparatet på steder hvor det er fare for gass- eller støveksplosjon.



FORSIKTIG!

- Pass på at det står stødig! Apparatet må stå stødig og festes slik at det ikke kan velte eller falle ned.



PASS PÅ!

- Utsett ikke apparatet for varmekilder (solstråling, oppvarming osv.). Unngå ekstra oppvarming av apparatet.
- Sett apparatet på et tørt sted som ikke er utsatt for vannsprut.

2.4 Sikkerhet ved elektrisk tilkobling av apparatet



FARE! Livsfare ved strømstøt!

- Når du arbeider på elektriske anlegg, forsikre deg om at det er noen i nærheten som kan hjelpe deg i et nødstilfelle.



ADVARSEL!

- Sørg for tilstrekkelig ledningstverrsnitt.
- Legg ledningene slik at de ikke skades av dører eller motorpanser. Kabler i klem kan føre til livsfarlige skader.



FORSIKTIG!

- Legg ledningene slik at man ikke snubler i dem og slik at man unngår å skade kabelen.



PASS PÅ!

- Bruk tomme rør eller ledningsgjennomføringer når ledninger må føres gjennom platevegger eller andre vegger med skarpe kanter.
- Legg **ikke** 230 V nettledningen og 12 V likestrømsledningen sammen i den samme kabelkanalen (tomt rør).
- Legg **ikke** ledningene løst eller med skarpe bøyer.
- Fest ledningene godt.
- Ikke trekk i ledninger.

2.5 Sikkerhet ved bruk av apparatet



FARE! Livsfare ved strømstøt!

- Ta ikke i bare ledninger med bare hender.



ADVARSEL!

- Bruk apparatet kun i lukkede, godt ventilerte rom.



FORSIKTIG!

- Bruk **ikke** apparatet
 - På saltholdige, fuktige eller våte steder
 - I nærheten av aggressive damper
 - I nærheten av brennbare materialer
 - Der det er eksplosjonsfare.
- Før du tar apparatet i bruk, må du passe på at ledningen og støpslet er tørre.
- Ved arbeid på apparatet må man alltid avbryte strømforsyningen.
- Vær oppmerksom på at deler av apparatet fortsatt er under spenning også etter at beskyttelsesanordningen (sikring) er utløst.
- Ikke løsne noen kabler mens apparatet fortsatt er i drift.



PASS PÅ!

- Pass på at lufteåpningene på apparatet ikke blir blokkert.
- Pass på at du har god lufting.

3 Leveringsomfang

Pos. i fig. 1	Betegnelse
1	Sinus vekselretter
2	Fjernkontroll
3	Tilkoblingskabel fjernstyring
–	Bruksanvisning

4 Målgruppen for denne veiledningen

kapittel «Koble til vekselretteren» på side 184 henvender seg kun til fagfolk som kjenner de tilhørende VDE-retningslinjene.

Alle de andre kapitlene henvender seg også til de som bruker apparatet.

5 Forskriftsmessig bruk



ADVARSEL!

Vekselretteren må ikke brukes på kjøretøyer hvor plusspolen til batteriet er koblet til sjassiet.

Vekselretterne omformer likespenning til en 230 V vekselspanning på 50 Hz:

- **12 V**: DSP612, DSP1012, DSP1512, DSP2012
- **24 V**: DSP624, DSP1024, DSP1524, DSP2024

6 Teknisk beskrivelse

Vekselretterne kan brukes overalt hvor det er likestrømskontakt.

- **12 V**: DSP612, DSP1012, DSP1512, DSP2012
- **24 V**: DSP624, DSP1024, DSP1524, DSP2024

Den lave vekten og den kompakte konstruksjonen gjør at dette apparatet enkelt kan monteres i bobiler, nyttekjøretøy eller motor- og seilbåter.

Utgangsspenningen tilsvarer vanlig spenning fra stikkkontakten (ren sinusspanning, forvrengning <5 %).

Ta hensyn til verdien for kontinuerlig utgangseffekt og spisseffekt, slik de er oppgitt i kapittel «Tekniske data» på side 190. Apparater som har et større effektbehov, må ikke kobles til.



MERK

Ved tilkobling av apparater med elektrisk starter (f.eks. bormaskiner, kjøleskap osv.) må man være oppmerksom på at disse trenger høyere effekt for å starte enn det som er angitt på typeskiltet.

Vekselretteren har forskjellige beskyttelsesmekanismer:

- **Overspenningsvern:** Vekselretteren slås av når spenningsverdien stiger over utkoblingsverdien. Den starter igjen når spenningen på nystart-verdien synker.

- **Underspenningsvern:** Vekselretteren slås av når spenningsverdien synker under utkoblingsverdien. Den starter igjen når spenningen på nystart-verdien stiger.
- **Overtemperaturvern:** Vekselretteren slås av når temperaturen inne i apparatet eller temperaturen på kjøleelementet stiger over en utkoblingsverdi. Den starter opp igjen når spenningen på nystart-verdien stiger.
- **Overbelastningsvern og kortslutningsvern:** LED-en på vekselretteren melder fra om en driftssvikt hvis det er koblet til en for stor last eller det har oppstått en kortslutning.

**MERK**

Du finner de enkelte koblingsverdiene i kapittel «Tekniske data» på side 190.

Vekselretteren kan brukes på følgende nett:

- **TN-nett:**
Vekselretterens nøytralleder er forbundet med jord. En nedstrøms jordfeilstromvernebryter må være installert.
- **IT-nett:**
Begge faser er isolert. Dette er egnet for drift av en forbruker. Hvis det tilkobles mer enn én forbruker må det utvikles et beskyttelseskonsept (f.eks. isolasjonsvoktere).

Nettformen konfigureres via en DIP-bryter på vekselretteren.

Vekselretteren kan kobles over til energisparemodus med fjernstyringen, slik at det tilkoblede batteriet ikke lades ut for raskt.

Med en fjernstyring kan vekselretteren slås på og av, og likeledes kan energisparemodusen slås på.

6.1 Betjeningselementer

Pos. i fig. 2	Betegnelse	Beskrivelse
1	Hovedbryter	Slår apparatet på eller av
2	Status-LED	Se kapittel «Varsellamper» på side 186
3	DIP-bryter	Stiller inn nettformen

6.2 Kontakter



MERK

Illustrasjonen viser versjonen for det europeiske kontinentet.

Pos. i fig. 2	Beskrivelse
4	Vekselstrømsstikkontakt
5	Tilkobling for fjernkontroll
6	Likestrømskontakt
7	Jordklemme (jording på kjøretøykarosseriet)
8	Vifte

6.3 Fjernkontroll

Pos. i fig. 3	Betegnelse
1	På-/av-bryter
2	Status-LED
3	Tilkobling for fjernkontroll

7 Montere vekselretter

7.1 Nødvendig verktøy

For **elektrisk tilkobling** trenger du følgende hjelpemidler:

- Krympetang
- 3 fleksible tilkoblingskabler i forskjellige farger. Det påkrevde tverrsnittet finner du i tabellen i kapittel «Koble til vekselretteren» på side 184.
- Kabelsko og kabelhylser

For **festing** av vekselretteren trenger du følgende festemidler:

- Maskinskruer (M4) med underlagsskiver og selvfestende muttere eller
- Plate- eller treskruer

7.2 Råd for montering

Pass på følgende ved valg av monteringssted:

- Montering av vekselretteren kan foretas enten horisontalt eller vertikalt.
- Vekselretteren må monteres på et sted som er beskyttet mot fuktighet.
- Vekselretteren må ikke brukes i omgivelser hvor det er lettantennelige materialer.
- Vekselretteren må ikke brukes i støvete omgivelser.
- Monteringsstedet må være godt luftet. Ved installasjon i lukkede rom, må man sørge for skikkelig lufting. Det må være et fritt område rundt vekselretteren på minst 5 cm (fig. **4**).
- Luftinnløpet på baksiden eller luftutløpet på forsiden av vekselretteren må være frie.
- Ved omgivelsestemperaturer som ligger over 40 °C (f.eks. i motor- eller varmerom, ved direkte sollys), kan vekselretteren slå seg av selv om effekten til den tilkoblede forbrukeren ligger under nominell last (derating).
- Montasjeflaten må være plan og sterk nok.



PASS PÅ!

Før du borer noe som helst, må du forsikre deg om at ingen elektriske kabler eller andre deler på kjøretøyet kan skades av boring, saging og filing.

7.3 Montering av vekselretteren

- Monter vekselretteren som vist (fig. **5**).

7.4 Montere fjernstyring

- Monter fjernstyringen som vist (fig. **6**).
- Fjern beskyttelsesfolien.

8 Koble til vekselretteren

8.1 Generelle råd



ADVARSEL!

- Tilkobling av vekselretteren må kun gjøres av fagfolk. Den følgende informasjonen er beregnet på fagfolk som er fortrolig med relevante retningslinjer og sikkerhetstiltak.
- På kjøretøy hvor plusspolen på batteriet er forbundet med chassiset, må vekselretten **ikke** benyttes.
- Hvis du ikke setter en sikring i **pluss-ledningen** til batteriet, kan ledningene bli overbelastet og det kan oppstå en brann.

- Ved installasjon i kjøretøy eller båter må vekselretteren være koblet til chassiset hhv. jord.
- Når man fester en stikkontaktfordelerkrets (nettoppbygging) må man følge forskriftene i VDE 0100.
- Bruk kun kopperkabel.
- Hold likespenningskabelen så kort som mulig (< 1 m).
- Overhold det påkrevde kabelverrsnittet og sett inn en kabelsikring (fig. **7** 1) på pluss-ledningen så nær batteriet som mulig (se tabell).

Apparat	Nødvendig kabelverrsnitt	Kabelsikring
DSP612	25 mm ²	150 A
DSP624	25 mm ²	150 A
DSP1012	35 mm ²	200 A
DSP1024	25 mm ²	150 A
DSP1512	50 mm ²	250 A
DSP1524	25 mm ²	150 A
DSP2012	70 mm ²	300 A
DSP2024	35 mm ²	200 A

8.2 Tilkoble vekselretter



PASS PÅ!

- Pass på at du ikke bytter polaritet. Feil polaritet kan skade vekselretteren.
- Ta hensyn til at vekselretteren kun må brukes med følgende spenning:
 - DSP612, DSP1012, DSP1512, DSP2012: 12 V ---
 - DSP624, DSP1024, DSP1524, DSP2024: 24 V ---



MERK

Trekk til skruene eller mutrene med et dreiemoment på 15 Nm. Løse forbindelser kan føre til overoppheting.

- Tilkoble vekselretteren som vist:
 - Tilkoble batteri: fig. **7**
 - Tilkoble jordklemme: fig. **8**
 - Tilkoble 230 V-utgangsledning: fig. **9**

8.3 Koble til fjernstyring



PASS PÅ!

Sett fjernstyringens tilkobling kun inn i Remote-porten. Apparatet kan bli skadet ved feil tilkobling.

- Tilkoble fjernstyringen som vist (fig. **10**).

8.4 Koble til ekstern bryter (tilbehør)



MERK

Ved bruk av en ekstern bryter kan du ikke endre tilstand på energisparemodusen.

- Koble til en ekstern bryter som vist (fig. **11**).

9 Bruk av vekselretteren

9.1 Slå på vekselretteren

- ▶ Still inn hovedbryteren (fig. **2** 1) til vekselretteren som følger:
 - «0»: Vekselretter slått helt av
 - «I»: Normal drift
 - «II»: Drift via fjernstyring
- ✓ Vekselretteren utfører en selvtest.
- ✓ Etter en vellykket egentest viser status-LED-en (fig. **2** 2) driftsstatusen:
 - Lyser konstant: Normalmodus aktivert
 - Blinker fire ganger: Energisparemodus aktivert

9.2 Varsellamper

LED-en (fig. **2** 2) viser driftsstatusen til vekselretteren.

Indikering	Inngangsspenning
Lyser kontinuerlig	Normal drift
Lang blinking, kort pause	Vekselretter overopphetet / overbelastning
Hurtig blinking	Overspenning/underspenning
Av	Andre feil

Vekselretteren slår seg av hvis:

- Batterispenningen synker under 10 V (12 V---tilkobling) eller 20 V (24 V---tilkobling).
- Batterispenningen stiger over 16 V (12 V---tilkobling) eller 32 V (24 V---tilkobling).
- Vekselretteren blir overbelastet.
- Vekselretteren blir overopphetet.

Ved utkobling som følge av overspenning eller underspenning, slår vekselretteren seg på igjen når den innstilte spenningsverdien nås på nytt.

Ved utkobling som følge av overbelastning eller overoppheting, går du frem på følgende måte:

- ▶ Slå av vekselretteren med hovedbryteren (fig. **2** 1).

- Kontroller om vekselretteren er nok luftet og om vifteåpningene og lufteråpningene er åpne.
- Vent ca. 5 – 10 min og slå på vekselretteren igjen uten forbrukere.

9.3 Stille inn energisparemodus



MERK

- Vekselretteren går automatisk over i normal drift hvis det kobles til en forbruker på over 45 W.
- Hvis en ekstern bryter er tilkoblet, kan du ikke endre energisparemodusen.

Aktivere energisparemodus

- Slå av vekselretteren.
- Trykk på PÅ/AV-knappen (fig. 3 1) på fjernkontrollen til status-LED-lampen (fig. 3 2) på fjernkontrollen har blinket seks ganger.
- ✓ Deretter blinker status-LED-lampen (fig. 3 2) på fjernkontrollen hvert 5. sekund.
- ✓ Energisparemodus er aktivert.

Deaktivere energisparemodus

- Slå av vekselretteren.
- Trykk på PÅ/AV-knappen (fig. 3 1) på fjernkontrollen til status-LED-lampen (fig. 3 2) på fjernkontrollen lyser konstant.
Før status-LED-lampen lyser konstant, vises utkobling av energisparemodus med et intervall på fire blink, fulgt av seks blink.
- ✓ Normalmodus er aktivert.

9.4 Stille inn nettform



FARE!

Endring av nettform innebærer livsfare.
Innstilling på DIP-bryteren skal bare foretas av fagarbeidere.
Ta kun av beskyttelseslokket på DIP-bryteren for å foreta innstillingen.
Sett på beskyttelseslokket igjen slik at DIP-bryteren ikke kan justeres.

Med DIP-bryteren kan du fastlegge i hvilken nettform vekselretteren skal brukes.

Parameter	DIP-bryter
TN-nett En ekstern, nedstrøms jordfeilstrom-vernebryter er nødvendig.	På
IT-nett Drift med kun én forbruker eller installasjon av en ekstern isolasjonsvokter. Ta hensyn til nasjonale standarder!	Av

10 Stell og rengjøring av vekselretteren



PASS PÅ!

Bruk ikke skarpe eller harde gjenstander eller rengjøringsmidler til rengjøring, da det kan skade produktet.

- Rengjør produktet regelmessig med en fuktig klut.

11 Feilsøking



ADVARSEL!

Åpne ikke apparatet. Du kan få elektrisk støt!



MERK

Ved detaljerte spørsmål om **data** for **vekselretteren** kan du ta kontakt med produsenten (adressen finner du på baksiden av veiledningen).

LED-en (fig. **2** 2) indikerer feilen:

Lysdiode-indikering	Årsak	Tiltak
Hurtig blinking	For høy inngangsspenning	Kontroller inngangsspenningen og reduser denne.
	For lav inngangsspenning	Batteriet må etterlades. Kontroller ledningene og forbindelsene.
2 sek belysning, kort pause	Termisk overbelastning	Slå av vekselretteren og forbrukeren. Vent ca. 5 – 10 min og slå på vekselretteren igjen uten forbrukere. Reduser belastningen og sørg for bedre lufting av vekselretteren. Slå på forbrukeren igjen.
	For høy belastning	Slå av vekselretteren og fjern forbrukeren. Slå på vekselretteren uten forbruker igjen. Hvis for høy belastning ikke indikeres lenger nå, er det kortslutning på forbrukeren eller den totale belastningen var høyere enn effekten som var spesifisert i databladet. Kontroller ledningene og forbindelsene.
Av	Andre feil	Ta kontakt med kundeservice.

12 Garanti

Lovmessig garantitid gjelder. Hvis produktet skulle være defekt, kontakter du produsentens filial i ditt land (du finner adressene på baksiden av veiledningen) eller til din faghandler.

Ved henvendelser vedrørende reparasjon eller garanti, må du sende med følgende dokumentasjon:

- kopi av kvitteringen med kjøpsdato,
- årsak til reklamasjonen eller beskrivelse av feilen.

13 Avfallsbehandling

► Lever emballasje til resirkulering så langt det er mulig.



Når du tar produktet ut av drift for siste gang, må du sørge for å få informasjon om deponeringsforskrifter hos nærmeste resirkuleringsstasjon eller hos din faghandler.

14 Tekniske data

Følgende tekniske data gjelder for alle vekselrettere:

Utgangsspenning:	230 V~ ± 10 %, ren sinusurve (forvrengning <5 %)
Utgangsfrekvens:	50 Hz ± 0,5 Hz
Virkningsgrad:	> 90 %
Varmeavgang:	temperatur- og belastningsstyrt ventilator
Omgivelsestemperatur drift:	0 °C til +50 °C
Omgivelsestemperatur lagring:	-30 °C til +70 °C
Luftfuktighet:	0 – 95 %, ikke kondenserende
Test/sertifikat:	

	DSP612	DSP 1012	DSP624	DSP 1024
Art.nr.:	9600002543 9600003597	9600002545 9600003599	9600002544 9600003598	9600002546 9600003600
Nominell inngangsspenning:	12 V _{DC}		24 V _{DC}	
Inngangsspenningsområde:	10 – 16,5 V _{DC}		20 – 33 V _{DC}	
Nominell effekt:	600 W	1000 W	600 W	1000 W
Maks. effekt i 1 min:	690 W	1150 W	690 W	1150 W
Støtteffekt i 1 sek:	1200 W	2000 W	1200 W	2000 W
Tomgangsstrømforbruk ved nominell spenning:	< 0,8 A	< 1,0 A	< 0,5 A	< 0,6 A
Standby-strømforbruk	< 0,3 A	< 0,35 A	< 0,2 A	< 0,2 A
Mål B x L x H	fig. 15			
Vekt:	2,8 kg	3,1 kg	2,8 kg	3,1 kg

	DSP1512	DSP 2012	DSP1524	DSP 2024
Art.nr.:	9600002547 9600003601	9600002549 9600003603 9600002561	9600002548 9600003602	9600002550 9600003604 9600002562
Nominell inngangsspenning:	12 V _{DC}		24 V _{DC}	
Inngangsspenningsområde:	10 – 16,5 V _{DC}		20 – 33 V _{DC}	
Nominell effekt:	1500 W	2000 W	1500 W	2000 W
Maks. effekt i 1 min:	1725 W	2300 W	1725 W	2300 W
Støtteffekt i 1 sek:	3000 W	4000 W	3000 W	4000 W
Tomgangsstrømforbruk ved nominell spenning:	< 1,2 A	< 1,5 A	< 0,6 A	< 0,8 A
Standby-strømforbruk	< 0,4 A	< 0,5 A	< 0,25 A	< 0,3 A
Mål B x L x H	fig. 15			
Vekt:	4,9 kg	5,2 kg	4,9 kg	5,2 kg

Beskyttelsesinnretninger

	12 V	24 V
Inngang:	Underspenning, forpolingsvern (intern sikring)	
Vekselstrømsutgang:	Overspenning, kortslutning, overbelastning	
Temperatur:	Utkobling	
Kortslutningsvern:	Ja, lpk	

Overspenningsvern

Apparat	Overspenning	
	Utkobling	Ny start
DSP612, DSP1012, DSP1512, DSP2012	16,5 V	15,5 V
DSP624, DSP1024, DSP1524, DSP2024	33 V	31 V

Underspenningsvern

Apparat	Underspenning	
	Utkobling	Ny start
DSP612, DSP1012, DSP1512, DSP2012	10 V	12 V
DSP624, DSP1024, DSP1524, DSP2024	20 V	24 V

Den aktuelle EU-konformitetserklæringen for ditt apparat får du på den respektive produksiden på dometic.com eller direkte via produsenten (se baksiden).

Lue tämä ohje huolellisesti läpi ennen asennusta ja käyttöönottoa ja säilytä ohje hyvin. Jos myyt tuotteen eteenpäin, anna ohje tällöin edelleen uudelle käyttäjälle.

Sisällysluettelo

1	Symbolien selitykset	194
2	Yleisiä turvallisuusohjeita	194
3	Toimituskokonaisuus.	197
4	Tämän käyttöohjeen kohderyhmä	198
5	Tarkoituksenmukainen käyttö	198
6	Tekninen kuvaus	198
7	Vaihtosuuntaajan asentaminen	201
8	Vaihtosuuntaajan liittäminen	202
9	Vaihtosuuntaajan käyttäminen	204
10	Vaihtosuuntaajan hoito ja puhdistus.	206
11	Vianetsintä	207
12	Tuotevastuu	208
13	Hävittäminen	208
14	Tekniset tiedot	208

1 Symbolien selitykset

**VAARA!**

Turvallisuusohje: Huomiotta jättäminen aiheuttaa hengenvaaran tai vakavan loukkaantumisen.

**VAROITUS!**

Turvallisuusohje: Huomiotta jättäminen voi aiheuttaa hengenvaaran tai vakavan loukkaantumisen.

**HUOMAUTUS!**

Huomiotta jättäminen voi johtaa materiaalivaurioihin ja haitata tuotteen toimintaa.

**OHJE**

Tuotteen käyttöä koskevia lisätietoja.

2 Yleisiä turvallisuusohjeita

2.1 Yleinen turvallisuus

Valmistaja ei ota mitään vastuuta vahingoista seuraavissa tapauksissa:

- asennus- tai liitännävirheet
- laite on vaurioitunut mekaanisten tekijöiden vaikutuksesta ja väärän liitännäjännitteen vuoksi
- tuotteeseen ilman valmistajan nimenomaista lupaa tehdyt muutokset
- käyttö muuhun kuin käyttöohjeessa ilmoitettuun tarkoitukseen

Noudata seuraavia perustavia turvatoimenpiteitä käyttäessäsi sähköllä toimivia laitteita. Tämä suojelee sinua:

- sähköiskulta
- palovaaralta
- loukkaantumiselta

2.2 Perusturvallisuus



VAARA!

- Käytä tulipalon sattuessa palonsammutinta, joka sopii sähkölaitteiden sammuttamiseen.



VAROITUS!

- Käytä laitetta ainoastaan sen määräysten mukaiseen tarkoitukseen.
- Pidä huoli, ettei punaiset ja mustat liittimet **koskaan** kosketa toisiaan.
- Irrota laite verkosta
 - ennen jokaista puhdistusta tai huoltoa
 - ennen sulakkeen vaihtamista
- Jos irrotat laitteen:
 - Irrota kaikki liitännät.
 - Varmista, että kaikki tulot ja lähdöt ovat jännitteettömiä.
- Laitetta ei saa ottaa käyttöön, jos laitteessa tai sen liitintäjohtoissa on näkyviä vaurioita.
- Jos tämän laitteen liitintäjohto vaurioituu, tulee valmistajan tai valtuutetun asiakaspalvelun tai vastaavasti pätevän henkilön vaihtaa se vaaran välttämiseksi.
- Ainoastaan ammattilaiset saavat korjata tätä laitetta. Epäasianmukaisista korjauksista saattaa aiheutua huomattavia vaaroja.
- 8-vuotiaat tai sitä vanhemmat lapset sekä henkilöt, joiden fyysiset, sensoriset tai psyykkiset kyvyt ovat rajoittuneita tai jotka ovat kokemattomia ja/tai tietämättömiä, voivat käyttää tätä laitetta valvonnan alaisina tai kun heille on opetettu laitteen turvallinen käyttö ja he ovat ymmärtäneet siitä aiheutuvat vaarat.
- **Sähkölaitteet eivät ole lasten leluja!**
Säilytä ja käytä laitetta lasten ulottumattomissa.
- Lapsia tulee valvoa sen varmistamiseksi, etteivät he leiki laitteella.



HUOMAUTUS!

- Vertaa tyyppikilven jännitetietoja käytettävissä olevaan energiansyöttöön ennen käyttöön ottamista.
- Huolehdi siitä, että mitkään esineet **eivät** aiheuta oikosukua laitteen kontakteihin.
- Älä ota pistoketta koskaan pois pistorasiasta johdosta vetämällä.
- Säilytä laitetta kuivassa ja viileässä paikassa.

2.3 Turvallisuus laitteen asentamisen yhteydessä



VAARA!

- Älä asenna laitetta paikkoihin, joissa on olemassa kaasu- tai pölyräjähdysten vaara.



HUOMIO!

- Huomaa tukeva seisonta!
Laitte täytyy sijoittaa ja kiinnittää niin vakaasti, että se ei voi kaatua tai pudota.



HUOMAUTUS!

- Älä aseta laitetta alttiiksi millekään lämpölähteelle (auringonpaiste, lämmitys jne.). Vältä näin laitteen lisälämpenemistä.
- Aseta laite kuivaan ja roiskevedeltä suojattuun paikkaan.

2.4 Turvallisuus laitteen sähköliitännässä



VAARA! Sähköiskusta johtuva hengenvaara!

- Kun työskentelet sähköisten laitteiden kanssa, varmista, että joku on avuntarpeen tullen lähellä.



VAROITUS!

- Huolehdi siitä, että johtojen poikkipinta-ala on riittävä.
- Vedä johtimet siten, että ovet tai konepellit eivät voi vahingoittaa niitä. Rusentuneet johdot voivat johtaa hengenvaarallisiin vammoihin.



HUOMIO!

- Vedä johtimet siten, että niihin ei voi kompastua ja että johdon vaurioitumisen mahdollisuus on pois suljettu.



HUOMAUTUS!

- Käytä putkia tai läpivientiholkkeja, jos johtimia täytyy vetää peltiseinien tai muiden teräväreunaisten seinien läpi.
- **Älä** aseta 230 V -verkkojohtoa ja 12 V -tasavirtajohtoa samaan johtokanavaan (putkitus).
- Johtimia **ei** saa asettaa löysälle tai teräville taitteille.
- Kiinnitä johtimet hyvin.
- Älä kisko johtimista.

2.5 Laitteen käyttöturvallisuus



VAARA! Sähköiskusta johtuva hengenvaara!

- Älä kosketa avojohtimia koskaan paljain käsin.



VAROITUS!

- Käytä laitetta ainoastaan suljetuissa, hyvin tuuletetuissa tiloissa.



HUOMIO!

- Laitetta **ei** saa käyttää
 - suolapitoisessa, kosteassa tai märässä ympäristössä.
 - aggressiivisten höyryjen lähellä
 - palavien materiaalien lähellä
 - räjähdysvaarallisilla alueilla.
- Huolehdi ennen laitteen käyttöönottoa siitä, että johto ja pistoke ovat kuivia.
- Katkaise virransyöttö aina laitetta koskevien töiden ajaksi.
- Huomaa, että osa laitteesta voi jäädä jännitteiseksi myös suojalaitteiston (sulake) laukeamisen jälkeen.
- Älä irrota mitään johtoja, kun laite on vielä toiminnassa.



HUOMAUTUS!

- Huolehdi siitä, että laitteen ilmantulo- ja -poistoaukkoja ei peitetä.
- Huolehdi hyvästä tuuletuksesta.

3 Toimituskokonaisuus

Kohta – kuva 1	Nimitys
1	Sini-vaihtosuuntaaja
2	Kauko-ohjain
3	Kaukosäätimen liitäntäjohto
–	Käyttöohje

4 Tämän käyttöohjeen kohderyhmä

Kohta kap. "Vaihtosuuntaajan liittäminen" sivulla 202on tarkoitettu yksinomaan ammattilaisille, joille vastaavat VDE-direktiivit ovat tuttuja.

Kaikki muut kappaleet on tarkoitettu laitteen käyttäjälle.

5 Tarkoituksenmukainen käyttö



VAROITUS!

Vaihtosuuntaajaa ei saa käyttää ajoneuvoissa, joiden akun plus-napa on yhdistetty runkoon.

Vaihtosuuntaajia käytetään tasajännitteen muuntamiseen 230 V -vaihtojännitteeksi, jonka taajuus on 50 Hz:

- **12 V_{DC}**: DSP612, DSP1012, DSP1512, DSP2012
- **24 V_{DC}**: DSP624, DSP1024, DSP1524, DSP2024

6 Tekninen kuvaus

Vaihtosuuntaajia voidaan käyttää kaikkialla, missä on DC-tasavirtaliitäntä.

- **12 V_{DC}**: DSP612, DSP1012, DSP1512, DSP2012
- **24 V_{DC}**: DSP624, DSP1024, DSP1524, DSP2024

Laitteen keveyden ja kompaktin rakenteen ansiosta se voidaan asentaa ongelmitta matkailuautoihin, hyötyajoneuvoihin sekä moottori- tai purjeveneisiin.

Lähtöjännite vastaa kotitalouksien pistorasian jännitettä (puhdas sinimuotoinen jännite, särökerroin <5 %).

Ole hyvä ja noudata jatkuvaa lähtötehoa ja huippulähtötehoa koskevia arvoja, jotka ilmoitetaan kap. "Tekniset tiedot" sivulla 208. Laitteeseen ei saa liittää laitteita, joiden tehontarve on tätä suurempi.



OHJE

Huomaa moottoroituja sähkölaitteita liittäessäsi (esim. porakone, jääkaappi jne.), että nämä tarvitsevat käynnistyäkseen usein suuremman tehon kuin mitä tyyppikilvessä ilmoitetaan.

Vaihtosuuntaajassa on erilaisia suojamekanismeja:

- **Ylijännitesuoja:** Vaihtosuuntaaja kytkeytyy pois päältä, jos jännitearvo kohoaa katkaisuarvoa suuremmaksi. Se käynnistyy jälleen, kun jännite laskee uudelleenkäynnistysarvoon.
- **Alijännitesuoja:** Vaihtosuuntaaja kytkeytyy pois päältä, jos jännitearvo laskee katkaisuarvoa alemmaksi. Se käynnistyy jälleen, kun jännite nousee uudelleenkäynnistysarvoon.
- **Ylikuumentumissuoja:** Vaihtosuuntaaja kytkeytyy pois päältä, jos lämpötila laitteen sisällä tai jäähdytyslementin lämpötila kohoaa yli katkaisuarvon. Se käynnistyy jälleen, kun jännite nousee uudelleenkäynnistysarvoon.
- **Ylikuormitusuoja ja oikosulkusuoja:** Vaihtosuuntaajan LED ilmaisee toimintahäiriön, jos liitetty kuorma on liian suuri tai on syntynyt oikosulku.



OHJE

Yksittäiset kytkentäarvot löytyvät kohdasta kap. "Tekniset tiedot" sivulla 208.

Vaihtosuuntaajaa voi käyttää seuraavanlaisissa verkoissa:

- **TN-verkko:**
Vaihtosuuntaajan nollajohdin on yhdistetty maahan. Jäljempänä täytyy olla asennettuna vikavirtasuojajakytkin.
- **IT-verkko:**
Molemmat vaiheet on eristetty. Tämä sopii yhden sähkölaitteen käyttämiseen. Jos liitetään useampia sähkölaitteita, suojaus täytyy suunnitella erikseen (esim. eristyksenvalvontalaite).

Verkon tyyppi konfiguroidaan vaihtosuuntaajan DIP-kytkimellä.

Vaihtosuuntaajan voi kytkeä kaukosäätimellä energiansäästötilaan, jotta siihen yhdistetty akku ei purkaudu liian nopeasti.

Kaukosäätimellä vaihtosuuntaaja voidaan kytkeä päälle ja pois ja energiansäästötilaan.

6.1 Käyttölaitteet

Kohta – kuva 2	Nimitys	Kuvaus
1	Pääkytkin	Kytkee laitteen päälle tai pois
2	Tila-LED	Katso kap. "Toimintailmaisimet" sivulla 204
3	DIP-kytkin	Asettaa verkon tyyppin

6.2 Liitännät



OHJE

Kuvassa on nähtävissä Manner-Eurooppaan tarkoitettu versio.

Kohta – kuva 2	Kuvaus
4	Vaihtovirtapistorasias
5	Kaukosäätimen liitäntä
6	Tasavirtaliitäntä
7	Maaliitin (Maadoitus ajoneuvon koriin)
8	Tuuletin

6.3 Kauko-ohjain

Kohta – kuva 3	Nimitys
1	Päälle/pois-kytkin
2	Tila-LED
3	Kaukosäätimen liitäntä

7 Vaihtosuuntaajan asentaminen

7.1 Tarvittavat työkalut

Sähköiseen liitântään tarvitaan seuraavia apuvälineitä:

- Abico-pihdit
- 3 eriväristä, joustavaa liitântäjohtoa. Vaadittavan halkaisijan löydät taulukosta kap. "Vaihtosuuntaajan liittäminen" sivulla 202.
- Kaapelikenkiä ja pääteholkkeja johtimiin

Vaihtosuuntaajan **kiinnittämiseen** tarvitaan seuraavia asennusvälineitä:

- Pultteja (M4) ja prikoja sekä itsestäänlukittuvia muttereita tai
- Pelti- tai puuruuveja

7.2 Asennusohjeita

Noudata asennuspaikkaa valitessasi seuraavia ohjeita:

- Vaihtosuuntaaja voidaan asentaa sekä pystysuoraan että vaakasuoraan.
- Vaihtosuuntaaja täytyy asentaa kosteudelta suojattuun paikkaan.
- Vaihtosuuntaajaa ei saa asentaa ympäristöön, jossa on syttyviä materiaaleja.
- Vaihtosuuntaajaa ei saa asentaa pölyiseen ympäristöön.
- Sijoituspaikassa pitää olla hyvä tuuletus. Asennettaessa laite pieneen suljettuun tilaan siinä pitää olla ilmanvaihtoaukot tulo- ja poistoilmalle. Vaihtosuuntaajan ympärillä täytyy olla vähintään 5 cm vapaata tilaa (kuva **4**).
- Vaihtosuuntaajan takapuolella olevan ilmanoton ja etupuolella olevan ilmanpoiston täytyy olla vapaita.
- Yli 40 °C:n ympäristön lämpötiloissa (esim. moottori- tai lämmitystilat, suora auringonpaiste) vaihtosuuntaaja voi kytkeytyä pois päältä vaikka siihen liitettyjen sähkölaitteiden teho on pienempi kuin nimelliskuorma (Derating).
- Asennuspinnan täytyy olla tasainen ja kyllin luja.



HUOMAUTUS!

Ennen kuin teet mitään reikiä, varmista, että poraaminen, sahaaminen tai viilaaminen ei vahingoita sähköjohtoja tai ajoneuvon muita osia.

7.3 Vaihtosuuntaajan asentaminen

- ▶ Asenna vaihtosuuntaaja esitetyllä tavalla (kuva **5**).

7.4 Kaukosäätimen asentaminen

- Asenna kaukosäädin esitetyllä tavalla (kuva **6**).
- Poista suojakalvo.

8 Vaihtosuuntaajan liittäminen

8.1 Yleisiä ohjeita



VAROITUS!

- Vaihtosuuntaajan saavat liittää yksinomaan vastaavan koulutuksen omaavat ammattiliikkeet. Seuraavat tiedot on suunnattu ammattilaisille, jotka tuntevat sovellettavat direktiivit ja turvajärjestelyt.
- Vaihtosuuntaajaa **ei saa** käyttää ajoneuvoissa, joiden akun plus-napa on yhdistetty runkoon.
- Jos et asenna sulaketta akun **plus-johtimeen**, johdot voivat ylikuormittua ja aiheuttaa tulipalon.

- Vaihtosuuntaaja täytyy yhdistää runkoon tai maahan, jos se asennetaan ajoneuvoihin tai veneisiin.
- Noudata pistorasiaverkkoa rakentaessasi (verkko) VDE 0100:n määräyksiä.
- Käytä yksinomaan kuparijohtoja.
- Pidä tasavirtajohdot niin lyhyinä kuin mahdollista (< 1 m).
- Noudata tarvittavaa johtohalkaisijaa ja asenna johtosulake (kuva **7** 1,) plus-johtimeen mahdollisimman lähelle akkua (kts. taulukko).

Laite	Vaadittu johdon poikki-leikkaus	Johtosulake
DSP612	25 mm ²	150 A
DSP624	25 mm ²	150 A
DSP1012	35 mm ²	200 A
DSP1024	25 mm ²	150 A
DSP1512	50 mm ²	250 A
DSP1524	25 mm ²	150 A
DSP2012	70 mm ²	300 A
DSP2024	35 mm ²	200 A

8.2 Vaihtosuuntaajan liittäminen



HUOMAUTUS!

- Huolehdi siitä, että napaisuus ei mene ristiin. Väärä napaisuus voi vaurioittaa vaihtosuuntaajaa.
- Huomaa, että vaihtosuuntaajaa saa käyttää vain seuraavalla jännitteellä:
 - DSP612, DSP1012, DSP1512, DSP2012: 12 V \equiv
 - DSP624, DSP1024, DSP1524, DSP2024: 24 V \equiv



OHJE

Kiristä ruuvit ja mutterit maks. 15 Nm:n vääntömomentilla. Löysät liitokset voivat johtaa ylikuumentumiseen.

- Liitä tasasuuntaaja esitetyllä tavalla:
 - Akun liittäminen: kuva **7**
 - Maaliittimen liittäminen: kuva **8**
 - 230 V -lähtöjohtimen liittäminen: kuva **9**

8.3 Kaukosäätimen liittäminen



HUOMAUTUS!

Työnnä kaukosäätimen liitäntä vain Remote-porttiin. Väärä liittäminen voi vaurioittaa laitetta.

- Liitä kaukosäädin esitetyllä tavalla (kuva **10**).

8.4 Ulkoisen kytkimen yhdistäminen (lisävaruste)



OHJE

Mikäli käytät ulkoista kytkintä, et voi muuttaa energiansäästötilan toimintatilaa.

- Yhdistä ulkoinen kytkin kuvan mukaisesti (kuva **11**).

9 Vaihtosuuntaajan käyttäminen

9.1 Vaihtosuuntaajan päälle kytkeminen

- Aseta vaihtosuuntaajan pääkytkin (kuva **2** 1,) seuraavalla tavalla:
 - "0": Vaihtosuuntaaja kokonaan pois päältä
 - "I": Normaalikäyttö
 - "II": Käyttö kaukosäätimen avulla
- ✓ Vaihtosuuntaaja testaa itsensä.
- ✓ Tila-LED (kuva **2** 2) näyttää toimintatilan onnistuneen itsetestauksen jälkeen:
 - Palaa jatkuvasti: Normaalitila aktivoitu
 - Vilkahtaa neljä kertaa: Energiansäästötila aktivoitu

9.2 Toimintailmaisimet

LED (kuva **2** 2) ilmaisee vaihtosuuntaajan toimintatilan.

Näyttö	Tulojännite
Loistaa jatkuvasti	Normaalikäyttö
Pitkä vilkku, ei katkoa	Vaihtosuuntaaja ylikuumentunut/ylikuorma
Nopea vilkku	Ylijännite/alijännite
Pois	Muu virhe

Vaihtosuuntaaja kytkeytyy pois päältä, jos:

- Akkujännite laskee alle arvon 10 V (12 V---liitântä) tai 20 V (24 V---liitântä).
- Akkujännite nousee yli arvon 16 V (12 V---liitântä) tai 32 V (24 V---liitântä).
- Vaihtosuuntaaja ylikuormittuu.
- Vaihtosuuntaaja ylikuumenee.

Kun katkaisu tapahtuu ylijännitteen tai alijännitteen takia, vaihtosuuntaaja kytkeytyy takaisin päälle, kun asetettu jännitearvo on jälleen saavutettu.

Kun katkaisu tapahtuu ylikuorman tai ylikuumenemisen takia, menettele seuraavasti:

- Kytke vaihtosuuntaaja pois päältä pääkytkimellä (kuva **2** 1).
- Tarkasta, onko vaihtosuuntaajan tuuletus riittävä ja ovatko tuuletinaukot ja tuuletusrakokset vapaina.

- Odota n. 5 – 10 min ja kytke vaihtosuuntaaja jälleen päälle ilman liitettyä sähkölaitetta.

9.3 Energiansäästötilan asettaminen



OHJE

- Invertteri siirtyy automaattisesti normaaliin toimintatilaan, kun siihen liitetään yli 45 W:n kuorma.
- Et voi tehdä muutoksia energiansäästötilaan, mikäli olet yhdistänyt laitteeseen ulkoisen kytkimen.

Energiansäästötilan käyttöönotto

- Kytke invertteri tarvittaessa pois päältä.
- Paina kaukosäätimen virtapainiketta (kuva **3** 1) siihen saakka, kunnes kaukosäätimen tilamerkkivalo (kuva **3** 2) on välähtänyt kuusi kertaa.
- ✓ Kaukosäätimen tilamerkkivalo (kuva **3** 2) vilkkuu tämän jälkeen viiden sekunnin välein.
- ✓ Energiansäästötila on käytössä.

Energiansäästötilan poistaminen käytöstä

- Kytke invertteri pois päältä.
- Paina kaukosäätimen virtapainiketta (kuva **3** 1) siihen saakka, kunnes kaukosäätimen tilamerkkivalo (kuva **3** 2) palaa jatkuvasti.
Tilamerkkivalo ilmaisee energiansäästötilan kytkeytymisen pois päältä vilkkumalla ensin neljän kertaa ja tämän jälkeen kuusi kertaa. Merkkivalo palaa jatkuvasti vasta tämän jälkeen.
- ✓ Normaali toimintatila on käytössä.

9.4 Verkon tyyppin asettaminen



VAARA!

Verkon tyyppin muuttaminen aiheuttaa hengenvaaran.

Ainoastaan ammattilaiset saavat muuttaa DIP-kytkinten asetuksia

Ota DIP-kytkimen suojus pois vain asetusten tekemistä varten. Laita suo-
jus takaisin paikalleen, jotta DIP-kytkimen asetus ei pääse muuttumaan.

DIP-kytkimellä voit määrittää, minkä tyyppisessä verkossa vaihtosuuntaajaa on tarkoitus käyttää.

Parametri	DIP-kytkin
TN-verkko Ulkoinen, perään kytketty vikavirtasuojakytkin on välttämätön.	Päällä
IT-verkko Käyttö vain yhden sähkölaitteen kanssa tai on asennettava ulkoinen eristyksenvalvontalaite. Noudata kansallisia standardeja!	Pois

10 Vaihtosuuntaajan hoito ja puhdistus



HUOMAUTUS!

Puhdistukseen ei saa käyttää teräviä tai kovia välineitä eikä puhdistusaineita, koska tämä voi johtaa tuotteen vahingoittumiseen.

- Puhdista tuote toisinaan ulkopuolelta kostealla liinalla.

11 Vianetsintä



VAROITUS!

Älä avaa laitetta. Siitä aiheutuu sinulle sähköiskuvaara!



OHJE

Käännä valmistajan puoleen, jos sinulla on **vaihtosuuntaajan tietoja** koskevia yksityiskohtaisia kysymyksiä (Osoitteet käyttöohjeen takasivulla).

LED (kuva **2** 2) osoittaa virheen:

LED-näyttö	Syy	Poistaminen
Nopea vilkku	Liian korkea tulojännite	Tarkista tulojännite ja pienennä sitä.
	Liian matala tulojännite	Akku täytyy ladata uudelleen. Tarkasta johtimet ja liitännät.
Palaa 2 s, lyhyt katko	Terminen ylikuormitus	Kytke vaihtosuuntaaja ja sähkölaite pois päältä. Odota n. 5 – 10 minuuttia ja kytke vaihtosuuntaaja jälleen päälle ilman liitettyä sähkölaitetta. Vähennä kuormitusta ja huolehdi vaihtosuuntaajan paremmasta tuuleutuksesta. Kytke sitten sähkölaite jälleen päälle.
	Liian suuri kuormitus	Kytke vaihtosuuntaaja pois päältä ja poista siihen liitetty sähkölaite. Kytke vaihtosuuntaaja jälleen päälle ilman sähkölaitekuormaa. Jos liian suurta kuormitusta ei enää ilmaista, liitettyinä olleessa sähkölaitteessa on oikosulku tai kokonaiskuormitus oli suurempi kuin tietolehtisessä määritelty teho. Tarkasta johtimet ja liitännät.
Pois	Muu virhe	Käännä asiakaspalvelun puoleen.

12 Tuotevastuu

Laitetta koskee lakisääteinen takuu-aika. Jos tuote sattuu olemaan viallinen, käänny maasi valmistajan toimipisteen puoleen (osoitteet käyttöohjeen takasivulla) tai ota yhteyttä omaan ammattikauppiaseesi.

Korjaus- ja takuukäsittelyä varten lähetä mukana seuraavat asiakirjat:

- kopio ostolaskusta, jossa näkyy ostopäivä,
- valitusperuste tai vikakuvaus.

13 Hävittäminen


- Vie pakkausmateriaali mahdollisuuksien mukaan vastaavan kierrätysjätteen joukkoon.



Jos poistat tuotteen lopullisesti käytöstä, pyydä tietoa sen hävittämistä koskevista määräyksistä lähimmästä kierrätyskeskuksesta tai ammattiliikkeestäsi.

14 Tekniset tiedot

Seuraavat tekniset tiedot koskevat kaikkia vaihtosuuntaajia:

Lähtöjännite:	230 V~ ± 10 %, puhdas siniaalto (särokerroin < 5 %)
Lähtötaajuus:	50 Hz ± 0,5 Hz
Hyötysuhde:	>90 %
Lämmönpoisto:	lämpötila- ja kuormaohjattu tuuletin
Ympäristön lämpötila, käyttö:	0 °C ... +50 °C
Ympäristön lämpötila, varastointi:	-30 °C ... +70 °C
Ilmankosteus:	0 – 95 %, ei-tiivistyvä
Tarkastus/sertifikaatti:	

	DSP612	DSP 1012	DSP624	DSP 1024
Tuotenro:	9600002543 9600003597	9600002545 9600003599	9600002544 9600003598	9600002546 9600003600
Nimellinen tulojännite:	12 V ₌₌₌		24 V ₌₌₌	
Tulojännitealue:	10 – 16,5 V ₌₌₌		20 – 33 V ₌₌₌	
Nimellisteho:	600 W	1000 W	600 W	1000 W
Maksimiteho 1 min:	690 W	1150 W	690 W	1150 W
Tehohuippu 1 s:	1200 W	2000 W	1200 W	2000 W
Tyhjäkäyntivirrankulutus nimellisjännitteellä:	<0,8 A	<1,0 A	<0,5 A	<0,6 A
Standby-virrankulutus:	<0,3 A	<0,35 A	<0,2 A	<0,2 A
Mitat L x P x K:	kuva 15			
Paino:	2,8 kg	3,1 kg	2,8 kg	3,1 kg

	DSP1512	DSP 2012	DSP1524	DSP 2024
Tuotenro:	9600002547 9600003601	9600002549 9600003603 9600002561	9600002548 9600003602	9600002550 9600003604 9600002562
Nimellinen tulojännite:	12 V ₌₌₌		24 V ₌₌₌	
Tulojännitealue:	10 – 16,5 V ₌₌₌		20 – 33 V ₌₌₌	
Nimellisteho:	1500 W	2000 W	1500 W	2000 W
Maksimiteho 1 min:	1725 W	2300 W	1725 W	2300 W
Tehohuippu 1 s:	3000 W	4000 W	3000 W	4000 W
Tyhjäkäyntivirrankulutus nimellisjännitteellä:	<1,2 A	<1,5 A	<0,6 A	<0,8 A
Standby-virrankulutus:	<0,4 A	<0,5 A	<0,25 A	<0,3 A
Mitat L x P x K:	kuva 15			
Paino:	4,9 kg	5,2 kg	4,9 kg	5,2 kg

Suojalaitteistot

	12 V	24 V
Tulo:	Alijännite, napaisuussuojaus (sisäinen sulake)	
AC-lähtö:	Alijännite, oikosulku, ylikuorma	
Lämpötila:	Katkaisu	
Oikosulkusuojaus:	Kyllä, Ipk	

Ylijännitesuoja

Laite	Ylijännite	
	Katkaisu	Uudelleenkäynnistys
DSP612, DSP1012, DSP1512, DSP2012	16,5 V	15,5 V
DSP624, DSP1024, DSP1524, DSP2024	33 V	31 V

Alijännitesuoja

Laite	Alijännite	
	Katkaisu	Uudelleenkäynnistys
DSP612, DSP1012, DSP1512, DSP2012	10 V	12 V
DSP624, DSP1024, DSP1524, DSP2024	20 V	24 V

Laitteesi voimassa olevan EU-vaatimustenmukaisuusvakuutuksen saat kyseisen tuotteen sivulta osoitteesta dometic.com tai suoraan valmistajalta (ks. taustapuoli).

Прочтите данную инструкцию перед монтажом и вводом в эксплуатацию и сохраните ее. В случае передачи продукта передайте инструкцию следующему пользователю.

Оглавление

1	Пояснение к символам	212
2	Общие указания по технике безопасности.	212
3	Комплект поставки	216
4	Целевая группа данной инструкции	216
5	Использование по назначению	216
6	Техническое описание	217
7	Монтаж инвертора.	220
8	Подключение инвертора	221
9	Использование инвертора	224
10	Уход и очистка инвертора	226
11	Устранение неисправностей	227
12	Гарантия	228
13	Утилизация	228
14	Технические характеристики	228

1 Пояснение к символам



ОПАСНОСТЬ!

Указания по технике безопасности: Несоблюдение ведет к смертельному исходу или тяжелым травмам.



ПРЕДУПРЕЖДЕНИЕ!

Указания по технике безопасности: Несоблюдение может привести к смертельному исходу или тяжелым травмам.



ВНИМАНИЕ!

Несоблюдение может привести к повреждениям и нарушить работу продукта.



УКАЗАНИЕ

Дополнительная информация по управлению продуктом.

2 Общие указания по технике безопасности

2.1 Общая безопасность

Изготовитель не несет никакой ответственности за ущерб в следующих случаях:

- Ошибки монтажа или подключения
- Повреждения продукта из-за механических воздействий и неверного напряжения питания
- Изменения в продукте, выполненные без однозначного разрешения изготовителя
- Использование в целях, отличных от указанных в данной инструкции

Соблюдайте следующие основные предписания по технике безопасности при пользовании электроприборами для защиты от:

- поражения электрическим током
- опасности возникновения пожара
- травм

2.2 Основные указания по технике безопасности



ОПАСНОСТЬ!

- В случае пожара используйте огнетушитель, пригодный для тушения электрооборудования.



ПРЕДУПРЕЖДЕНИЕ!

- Используйте прибор только по назначению.
- Следите за тем, чтобы **не** соприкасались красный и черный зажимы.
- Отсоединяйте прибор от сети
 - перед каждой чисткой и уходом
 - перед заменой предохранителя
- Если Вы демонтируете прибор:
 - Отсоедините все соединения.
 - Убедитесь в том, что все входы и выходы обесточены.
- Запрещается вводить прибор в работу, если он или соединительный кабель имеют видимые повреждения.
- В случае повреждения питающего кабеля данного прибора он - во избежание опасностей - должен быть заменен изготовителем, сервисным центром или имеющим аналогичную квалификацию персоналом.
- Ремонт данного прибора разрешается выполнять только специалистам. Неправильно выполненный ремонт может приводить к серьезным опасностям.
- Этот прибор может использоваться детьми с 8-ми лет и старше, а также лицами с ограниченными физическими, сенсорными и умственными способностями или при недостатке необходимого опыта и/или знаний только под присмотром или после прохождения инструктажа по безопасному использованию прибора, если они поняли опасности, которые при этом могут возникнуть.
- **Электроприборы не являются детскими игрушками!**
Поэтому храните и используйте прибор в недоступном для детей месте.
- За детьми необходимо постоянно следить, чтобы не допустить их игры с прибором.

**ВНИМАНИЕ!**

- Перед вводом в эксплуатацию сравните значения напряжения, указанные на заводской табличке, с характеристиками имеющегося источника питания.
- Следите за тем, чтобы другие предметы **не** вызывали короткого замыкания на контактах прибора.
- Не вытаскивайте штекер из розетки за питающий кабель.
- Храните прибор в сухом, прохладном месте.

2.3 Техника безопасности при монтаже прибора

**ОПАСНОСТЬ!**

- Не устанавливайте прибор в зонах, в которых имеется опасность взрыва газа или пыли.

**ОСТОРОЖНО!**

- Обеспечивайте надежность расположения!
Прибор должен быть установлен и закреплен таким образом, чтобы он не мог опрокинуться или упасть.

**ВНИМАНИЕ!**

- Не эксплуатируйте прибор вблизи источников тепла (солнечных лучей, радиаторов отопления и т. п.). Не допускайте дополнительного нагрева прибора.
- Установите прибор в сухом, защищенном от брызг месте.

2.4 Техника безопасности при присоединении прибора к электрической сети

**ОПАСНОСТЬ! Опасность для жизни из-за поражения электрическим током!**

- При работах на электрооборудовании убедитесь в том, что вблизи находятся люди, которые в экстренном случае могут оказать Вам помощь.

**ПРЕДУПРЕЖДЕНИЕ!**

- Обеспечивайте достаточное поперечное сечение проводов.
- Прокладывайте провода так, чтобы исключить их повреждение дверями или капотом.
Зажатые кабели могут приводить к опасным для жизни травмам.

**ОСТОРОЖНО!**

- Прокладывайте провода так, чтобы исключить опасность спотыкания и повреждения кабеля.

**ВНИМАНИЕ!**

- Если необходимо провести электрические провода через металлические стенки или иные стенки с острыми краями, то используйте металлорукава или кабельные вводы.
- **Не** прокладывайте сетевой кабель 230 В и провод 12 В постоянного тока совместно с одним и тем же кабельном канале (металлорукаве).
- **Не** прокладывайте провода незакрепленными или сильно изогнутыми.
- Обеспечивайте надежное крепление проводов.
- Не тяните за провода.

2.5 Техника безопасности при работе прибора

**ОПАСНОСТЬ! Опасность для жизни из-за поражения электрическим током!**

- Не беритесь голыми руками за оголенные провода.

**ПРЕДУПРЕЖДЕНИЕ!**

- Используйте прибор только в закрытых, хорошо проветриваемых помещениях.

**ОСТОРОЖНО!**

- **Не** эксплуатируйте прибор
 - в условиях высокой влажности и высокого содержания соли в воздухе
 - вблизи источников агрессивных паров
 - вблизи горючих материалов
 - во взрывоопасных зонах
- Перед вводом в эксплуатацию убедитесь в том, что питающий кабель и штекер сухие.
- При работах на приборе всегда прерывайте электропитание.
- Учтите, что даже после срабатывания защитного устройства (предохранителя) части прибора могут оставаться под напряжением.
- Не отсоединяйте кабели, если прибор еще находится в работе.

**ВНИМАНИЕ!**

- Следите за тем, чтобы не перекрывались отверстия входа и выхода воздуха.
- Обеспечивайте хорошую вентиляцию.

3 Комплект поставки

Поз. на рис. 1	Наименование
1	Синусоидальный инвертор
2	Пульт дистанционного управления
3	Кабель пульта дистанционного управления
–	Инструкция по эксплуатации

4 Целевая группа данной инструкции

гл. «Подключение инвертора» на стр. 221 предназначена исключительно для специалистов, которые знают соответствующие предписания Союза немецких электриков.

Все остальные главы предназначены также и для пользователей прибора.

5 Использование по назначению

**ПРЕДУПРЕЖДЕНИЕ!**

Запрещается использовать инвертор в автомобилях, у которых положительный полюс аккумуляторной батареи соединен с шасси.

Инверторы служат для преобразования постоянного напряжения в переменное напряжение 230 В с частотой 50 Гц:

- **12 В**---: DSP612, DSP1012, DSP1512, DSP2012
- **24 В**---: DSP624, DSP1024, DSP1524, DSP2024

6 Техническое описание

Инвертор может работать в любом месте, где имеется разъем постоянного тока.

- **12 В**: DSP612, DSP1012, DSP1512, DSP2012
- **24 В**: DSP624, DSP1024, DSP1524, DSP2024

Благодаря небольшому весу и компактной конструкции прибор можно использовать в автофургонах, грузовых автомобилях, автобусах, а также на моторных и парусных яхтах.

Выходное напряжение соответствует бытовому напряжению из розетки (чистое синусоидальное напряжение, суммарный КНИ < 5 %).

Необходимо учитывать значения постоянной и пиковой выходной мощности, указанные в гл. гл. «Технические характеристики» на стр. 228. Запрещается присоединять приборы, имеющие большую потребляемую мощность.



УКАЗАНИЕ

При подключении приборов с электроприводом (например, дрели, холодильника и т. п.) необходимо учитывать, что им часто для пуска требуется больше мощности, чем указано на заводской табличке.

Инвертор имеет различные защитные механизмы:

- **Защита от повышенного напряжения:** Инвертор отключается, если величина напряжения превышает значение отключения. Он включается снова, как только напряжение падает ниже значения перезапуска.
- **Защита от пониженного напряжения:** Инвертор отключается, если величина напряжения падает ниже значение отключения. Он включается снова, как только напряжение достигает значения перезапуска.
- **Защита от перегрева:** Инвертор отключается, если температура внутри прибора или температура на радиаторе превышает значение отключения. Он включается снова, как только напряжение достигает значения перезапуска.
- **Защита от перегрузки и защита от короткого замыкания:** Непрерывный красный свет светодиодного индикатора на инверторе свидетельствует о сбое (присоединена слишком большая нагрузка или возникло короткое замыкание).



УКАЗАНИЕ

Отдельные значения переключения указаны в гл. «Технические характеристики» на стр. 228.

Инвертор может работать в следующих сетях:

- **Сеть TN:**
провод нейтрали инвертора соединен с массой. Необходимо также установить защитное устройство отключения.
- **Сеть IT:**
обе фазы изолированы. Такая сеть подходит для подключения одного потребителя. Если подключается несколько потребителей, необходимо дополнительные средства защиты (например, датчик, контролирующий состояние изоляции).

Тип сети задается через DIP-переключатель инвертора.

Пульт дистанционного управления инвертор можно переключить в режим энергосбережения, чтобы присоединенная батарея не разряжалась слишком быстро.

Пульт дистанционного управления позволяет включать и выключать инвертор и переключать его в энергосберегающий режим.

6.1 Элементы управления

Поз. на рис. 2	Наименование	Описание
1	Главный выключатель	Включает и выключает прибор
2	Светодиодный индикатор состояния	См. гл. «Рабочие индикаторы» на стр. 224
3	DIP-переключатель	Для задания типа сети

6.2 Разъемы



УКАЗАНИЕ

Изображена версия для континентальной Европы.

Поз. на рис. 2	Описание
4	Розетка переменного тока
5	Разъем для пульта дистанционного управления
6	Разъем постоянного тока
7	Клемма для соединения с корпусом автомобиля (масса)
8	Вентилятор

6.3 Пульт дистанционного управления

Поз. на рис. 3	Наименование
1	Выключатель
2	Светодиодный индикатор состояния
3	Разъем для пульта дистанционного управления

7 Монтаж инвертора

7.1 Требуемый инструмент

Для **электрического подключения** требуются следующие инструменты и материалы:

- Обжимные клещи
- 3 гибких соединительных кабеля различных цветов. Требуемое поперечное сечение указано в таблице в гл. «Подключение инвертора» на стр. 221.
- Кабельные наконечники и кабельные зажимы

Для **крепления** инвертора требуется следующий крепеж:

- Винты (М4) с подкладными шайбами и самостопорящимися гайками или
- Самонарезающие винты или шурупы

7.2 Указания по монтажу

При выборе места монтажа соблюдайте следующие указания:

- Инвертор может быть установлен как горизонтально, так и вертикально.
- Инвертор должен быть установлен в защищенном от попадания влаги месте.
- Запрещается установка инвертора вблизи легковоспламеняющихся материалов.
- Инвертор запрещается устанавливать в запыленной атмосфере.
- В месте монтажа должна иметься хорошая вентиляция. При монтаже в небольших закрытых помещениях должна иметься приточно-вытяжная вентиляция. Свободное расстояние вокруг инвертора должно составлять не менее 5 см (рис. 4).
- Отверстия входа воздуха с обратной стороны и отверстие выхода воздуха с лицевой стороны инвертора должны оставаться свободными.
- При температуре окружающей среды более 40 °С (например, в моторных или котельных отделениях, под воздействием прямых солнечных лучей) возможно отключение инвертора, даже если напряжение подключенного потребителя ниже номинальной нагрузки (понижение мощности).
- Поверхность монтажа должна быть ровной и достаточно прочной.

**ВНИМАНИЕ!**

Прежде чем просверлить какие-либо отверстия, убедитесь в том, что электрические кабели или другие детали автомобиля не будут повреждены при сверлении, пилении и обработке напильником.

7.3 Монтаж инвертора

- ▶ Установите инвертор, как изображено на иллюстрации (рис. **5**).

7.4 Установка пульта дистанционного управления

- ▶ Установите пульт дистанционного управления, как изображено на иллюстрации (рис. **6**).
- ▶ Снимите защитную пленку.

8 Подключение инвертора

8.1 Общие указания

**ПРЕДУПРЕЖДЕНИЕ!**

- Подключение инвертора разрешается выполнять только специализированным предприятиям. Последующая информация предназначена для специалистов, которые знакомы с действующими стандартами и техникой безопасности.
 - **Запрещается** использовать инвертор в автомобилях, в которых положительный полюс батареи соединен с рамой.
 - Если предохранитель не установлен **в положительный провод** батареи, возможна перегрузка проводов и возникновение пожара.
- При установке в автомобилях или на катерах инвертор должен быть соединен с рамой или массой (корпусом).
 - При установке контура сетевого разветвителя соблюдайте требования VDE 0100.
 - Используйте только медные кабели.
 - Используйте кабели постоянного тока минимальной длины (< 1 м).

- Используйте кабели с требуемым поперечным сечением и установите кабельный предохранитель (рис. **7** 1,) в положительный провод как можно ближе к батарее (см. таблицу).

Прибор	Требуемое поперечное сечение кабелей	Кабельный предохранитель
DSP612	25 мм ²	150 A
DSP624	25 мм ²	150 A
DSP1012	35 мм ²	200 A
DSP1024	25 мм ²	150 A
DSP1512	50 мм ²	250 A
DSP1524	25 мм ²	150 A
DSP2012	70 мм ²	300 A
DSP2024	35 мм ²	200 A

8.2 Подключение инвертора



ВНИМАНИЕ!

- Следите за правильной полярностью. Неправильная полярность может привести к повреждениям инвертора.
- Учитывайте, что инвертор можно использовать только со следующим напряжением:
 - DSP612, DSP1012, DSP1512, DSP2012: 12 В
 - DSP624, DSP1024, DSP1524, DSP2024: 24 В



УКАЗАНИЕ

Затяните винты или гайки с моментом затяжки не более 15 Нм. Ослабленные соединения могут приводить к перегреву.

- ▶ Подключите инвертор, как изображено на схеме:
 - Присоединение батареи: рис. **7**
 - Подсоединение к клемме заземления на корпус автомобиля: рис. **8**
 - Присоединение выходного провода 230 В: рис. **9**

8.3 Подключение пульта дистанционного управления



ВНИМАНИЕ!

Пульт дистанционного управления разрешается подключать только в порт Remote. Неправильное подключение может привести к повреждениям прибора.

- Подключите пульт дистанционного управления, как изображено на схеме (рис. **10**).

8.4 Присоединение внешнего выключателя (аксессуар)



УКАЗАНИЕ

При использовании внешнего выключателя изменение состояния энергосберегающего режима не возможно.

- Присоедините внешний выключатель, как изображено на схеме (рис. **11**).

9 Использование инвертора

9.1 Включение инвертора

- ▶ Установите главный выключатель (рис. **2** 1,) инвертора следующим образом:
 - «0»: инвертор выключен
 - «I»: нормальный режим работы
 - «II»: дистанционный режим работы
- ✓ Инвертор выполняет самопроверку.
- ✓ О результатах диагностики инвертор сообщает через индикатор состояния (рис. **2** 2):
 - горит непрерывно: активирован нормальный режим
 - мигает четыре раза: активирован энергосберегающий режим

9.2 Рабочие индикаторы

Светодиод (рис. **2** 2,) сообщает о рабочем состоянии инвертора.

Индикация	Входное напряжение
Горит непрерывно	Нормальный режим работы
Медленное мигание с короткими паузами	Перегрев или перегрузка инвертора
Быстрое мигание	Слишком высокое или низкое напряжение
Выключен	Другая неисправность

Инвертор отключается, если:

- напряжение батареи падает ниже 10 В (подключение к 12 В \equiv) или 20 В (подключение к 24 В \equiv).
- напряжение батареи выше 16 В (подключение к 12 В \equiv) или 32 В (подключение к 24 В \equiv).
- Перегрузка инвертора.
- Перегрев инвертора.

При отключении из-за слишком высокого или низкого напряжения инвертор включается автоматически, как только будет восстановлено расчетное напряжение.

В случае перегрузки или перегрева отключение инвертора производится следующим образом:

- отключите инвертор главным выключателем (рис. **2** 1).
- Проверьте, обеспечивается ли достаточная вентиляция инвертора и не перекрыты ли отверстия вентилятора и вентиляционные прорези.
- Подождите около 5 – 10 минут и снова включите инвертор без потребителей.

9.3 Настройка режима энергосбережения



УКАЗАНИЕ

- Инвертор автоматически переключается в нормальный режим сразу после подключения какой-либо нагрузки мощностью 45 Вт.
- При присоединении внешнего выключателя изменение энергосберегающего режима не возможно.

Активирование энергосберегающего режима

- При известных обстоятельствах, выключите инвертор.
- Нажимайте кнопку включения/выключения (рис. **3** 1) на пульте дистанционного управления до тех пор, пока индикатор состояния (рис. **3** 2) пульта дистанционного управления не мигнет шесть раз.
- ✓ После этого индикатор состояния (рис. **3** 2) пульта дистанционного управления мигает каждые 5 секунд.
- ✓ Энергосберегающий режим активирован.

Деактивирование энергосберегающего режима

- Выключите инвертор.
- Нажимайте кнопку включения/выключения (рис. **3** 1) на пульте дистанционного управления до тех пор, пока индикатор состояния (рис. **3** 2) пульта дистанционного управления не начнет светиться непрерывно.
Прежде, чем индикатор состояния начнет светиться непрерывно, он указывает отключение энергосберегающего режима, мигая четыре раза, а после небольшого перерыва - еще шесть раз.
- ✓ Нормальный режим активирован.

9.4 Настройка типа сети



ОПАСНОСТЬ!

Изменение типа сети ведет к сокращению срока службы. Настройки DIP-переключателя разрешается менять только специалистам.

Разрешается снимать защитную крышку DIP-переключателя только в целях настройки. Установите на место защитную крышку, чтобы не допустить случайного изменения настроек DIP-переключателя.

DIP-переключатель позволяет выбрать тип сети, к которой будет использоваться инвертор.

Параметр	DIP-переключатель
Сеть TN Требуется внешнее последовательно подключенное устройство защитного отключения.	Включен
Сеть IT Только один потребитель; если несколько потребителей, необходим внешний датчик состояния изоляции.	Выключен

Выполнять требования национальных норм!

10 Уход и очистка инвертора



ВНИМАНИЕ!

Не использовать для очистки острые или твердые предметы или чистящие средства, т. к. это может привести к повреждениям продукта.

- Периодически очищайте продукт влажной тряпкой.

11 Устранение неисправностей



ПРЕДУПРЕЖДЕНИЕ!

Не вскрывайте прибор. Возможно поражение электрическим током!



УКАЗАНИЕ

По вопросам, касающимся **характеристик инвертора**, обращайтесь к изготовителю (адреса см. на обратной стороне инструкции).

Светодиодный индикатор (рис. **2** 2,) сообщает о неполадке:

Светодиодный индикатор	Причина	Устранение
Быстрое мигание	Слишком высокое входное напряжение	Проверьте входное напряжение и уменьшите его.
	Слишком низкое входное напряжение	Необходимо зарядить батарею. Проверьте провода и соединения.
Сигналы 2 с короткими паузами	Тепловая перегрузка	Выключите инвертор и потребителей. Подождите около 5 – 10 минут и снова включите инвертор без потребителей. Уменьшите нагрузку и обеспечьте лучшую вентиляцию инвертора. После этого снова включите потребители.
	Слишком большая нагрузка	Выключите инвертор и отсоедините потребителей. Снова включите инвертор без потребителей. Если индикатор не сообщает о высокой нагрузке, это означает, что имеется короткое замыкание в потребителях или суммарная нагрузка была больше нагрузки, указанной в техническом паспорте. Проверьте провода и соединения.
Выключен	Другая неисправность	Обратитесь в сервисный центр.

12 Гарантия

Действителен установленный законом срок гарантии. Если продукт неисправен, обратитесь в представительство изготовителя в Вашей стране (адреса см. на оборотной стороне инструкции) или в торговую организацию.

В целях проведения ремонта или гарантийного обслуживания Вы должны также послать следующие документы:

- копию счета с датой покупки,
- причину рекламации или описание неисправности.

13 Утилизация

- По возможности, выкидывайте упаковочный материал в мусор, подлежащий вторичной переработке.



Если Вы окончательно выводите продукт из эксплуатации, то получите информацию в ближайшем центре по вторичной переработке или в торговой сети о соответствующих предписаниях по утилизации.

14 Технические характеристики

Следующие технические характеристики относятся ко всем инверторам:

Выходное напряжение:	230 В \sim \pm 10 %, чистая синусоидальная волна (КНИ < 5 %)
Выходная частота:	50 Гц \pm 0,5 Гц
КПД:	> 90 %
Отвод тепла:	вентилятор с управлением по температуре и нагрузке
Температура окружающей среды при эксплуатации:	от 0 °С до +50 °С
Температура окружающей среды при хранении:	от -30 °С до +70 °С
Относительная влажность воздуха:	0 – 95 %, без конденсации
Испытания/сертификат:	

	DSP612	DSP 1012	DSP624	DSP 1024
Арт. №:	9600002543 9600003597	9600002545 9600003599	9600002544 9600003598	9600002546 9600003600
Входное номинальное напряжение:	12 В ⁼⁼⁼		24 В ⁼⁼⁼	
Диапазон входного напряжения:	10 – 16,5 В ⁼⁼⁼		20 – 33 В ⁼⁼⁼	
Номинальная мощность:	600 Вт	1000 Вт	600 Вт	1000 Вт
Максимальная мощность в течение 1 мин:	690 Вт	1150 Вт	690 Вт	1150 Вт
Выходная пиковая мощность (на 1 с):	1200 Вт	2000 Вт	1200 Вт	2000 Вт
Потребляемый ток в холостом режиме при номинальной мощности:	<0,8 А	<1,0 А	<0,5 А	<0,6 А
Потребляемый ток в режиме ожидания:	<0,3 А	<0,35 А	<0,2 А	<0,2 А
Размеры Ш x Д x В:	рис. 15			
Вес:	2,8 кг	3,1 кг	2,8 кг	3,1 кг

	DSP1512	DSP 2012	DSP1524	DSP 2024
Арт. №:	9600002547 9600003601	9600002549 9600003603 9600002561	9600002548 9600003602	9600002550 9600003604 9600002562
Входное номинальное напряжение:	12 В ⁼⁼⁼		24 В ⁼⁼⁼	
Диапазон входного напряжения:	10 – 16,5 В ⁼⁼⁼		20 – 33 В ⁼⁼⁼	
Номинальная мощность:	1500 Вт	2000 Вт	1500 Вт	2000 Вт
Максимальная мощность в течение 1 мин:	1725 Вт	2300 Вт	1725 Вт	2300 Вт
Выходная пиковая мощность (на 1 с):	3000 Вт	4000 Вт	3000 Вт	4000 Вт
Потребляемый ток в холостом режиме при номинальной мощности:	<1,2 А	<1,5 А	<0,6 А	<0,8 А
Потребляемый ток в режиме ожидания:	<0,4 А	<0,5 А	<0,25 А	<0,3 А
Размеры Ш x Д x В:	рис. 15			
Вес:	4,9 кг	5,2 кг	4,9 кг	5,2 кг

Защитные устройства

	12 В	24 В
Вход:	низкое напряжение, защита от неправильной полярности (внутренний предохранитель)	
Выход переменного тока:	высокое напряжение, короткое замыкание, перегрузка	
Температура:	отключение	
Защита от короткого замыкания:	да, I _{pk}	

Защита от повышенного напряжения

Прибор	Повышенное напряжение	
	Отключение	Перезапуск
DSP612, DSP1012, DSP1512, DSP2012	16,5 В	15,5 В
DSP624, DSP1024, DSP1524, DSP2024	33 В	31 В

Защита от пониженного напряжения

Прибор	Пониженное напряжение	
	Отключение	Перезапуск
DSP612, DSP1012, DSP1512, DSP2012	10 В	12 В
DSP624, DSP1024, DSP1524, DSP2024	20 В	24 В

Действующее Заявление о соответствии стандартам ЕС для конкретного устройства можно найти на странице изделия на сайте dometic.com или запросить непосредственно у производителя (см. обратную сторону).

Przed instalacją i uruchomieniem urządzenia należy uważnie przeczytać niniejszą instrukcję. Instrukcję należy zachować. W razie przekazywania urządzenia należy ją udostępnić kolejnemu nabywcy.

Spis treści

1	Objaśnienie symboli	233
2	Ogólne wskazówki bezpieczeństwa	233
3	W zestawie	237
4	Odbiorcy instrukcji	237
5	Użytkowanie zgodne z przeznaczeniem	237
6	Opis techniczny	238
7	Montaż przetwornicy	240
8	Podłączanie przetwornicy	242
9	Używanie przetwornicy	244
10	Pielęgnacja i czyszczenie przetwornicy	246
11	Usuwanie usterek	247
12	Gwarancja	248
13	Utylizacja	248
14	Dane techniczne	248

1 Objąśnienie symboli

**NIEBEZPIECZEŃSTWO!**

Wskazówka dot. bezpieczeństwa: Nieprzestrzeganie powoduje śmierć lub ciężkie obrażenia ciała.

**OSTRZEŻENIE!**

Wskazówka dot. bezpieczeństwa: Nieprzestrzeganie może prowadzić do śmierci lub ciężkich obrażeń ciała.

**UWAGA!**

Nieprzestrzeganie może prowadzić do powstania szkód materialnych i zakłóceń w działaniu produktu.

**WSKAZÓWKA**

Informacje uzupełniające dot. obsługi produktu.

2 Ogólne wskazówki bezpieczeństwa

2.1 Ogólne bezpieczeństwo

Producent nie odpowiada za szkody spowodowane:

- błędami powstałymi w trakcie montażu lub podłączania
- uszkodzeniami produktu wywołanymi czynnikami mechanicznymi i niewłaściwym napięciem zasilania
- zmianami dokonanyymi w produkcie bez wyraźnej zgody producenta
- użytkowaniem w celach innych niż opisane w niniejszej instrukcji

Należy przestrzegać podstawowych zasad bezpieczeństwa obowiązujących przy używaniu urządzeń elektrycznych w celu ochrony przed:

- porażeniem prądem
- pożarem
- obrażeniami ciała

2.2 Podstawowe zasady bezpieczeństwa



NIEBEZPIECZEŃSTWO!

- W przypadku pożaru należy użyć gaśnicy odpowiedniej do zastosowania w przypadku urządzeń elektrycznych.



OSTRZEŻENIE!

- Urządzenie należy wykorzystywać zgodnie z jego przeznaczeniem.
- Należy także pamiętać, aby **nigdy** nie dotykać czerwonego oraz czarnego zacisku.
- Urządzenie należy odłączyć od sieci
 - przed każdym czyszczeniem i konserwacją
 - przed wymianą bezpiecznika
- W przypadku demontażu urządzenia:
 - Należy odłączyć wszystkie połączenia.
 - Należy upewnić się, iż wszystkie wejścia i wyjścia są pozbawione napięcia.
- Jeżeli chłodziarka lub kabel przyłączeniowy są w widoczny sposób uszkodzone, nie wolno używać chłodziarki.
- Gdy przewód przyłączeniowy ulegnie uszkodzeniu, musi zostać wymieniony przez producenta, jego serwis lub podobnie wykwalifikowaną osobę, aby uniknąć zagrożenia.
- Napraw mogą dokonywać tylko odpowiednio wykwalifikowane osoby. Niefachowe naprawy mogą spowodować poważne niebezpieczeństwo.
- Dzieci od 8 roku życia i osoby o ograniczonych możliwościach fizycznych, sensorycznych lub umysłowych oraz/lub osoby niedysponujące stosowną wiedzą i doświadczeniem mogą użytkować to urządzenie, o ile osoby te znajdują się pod nadzorem lub zostały poinstruowane w zakresie bezpiecznego użytkowania urządzenia i zrozumiały ewentualne zagrożenia wynikające z niewłaściwego użytkowania.
- **Urządzenia elektryczne nie są zabawkami dla dzieci!** Urządzenie należy stosować i przechowywać poza zasięgiem dzieci.
- Należy dopilnować, by dzieci nie bawiły się urządzeniem.



UWAGA!

- Przed uruchomieniem należy porównać dane dotyczące napięcia na tabliczce znamionowej z dostępnym źródłem zasilania.

- Należy zwrócić uwagę na to, aby inne przedmioty **nie** spowodowały zwarcia przy stykach urządzenia.
- Wtyczki nie wolno nigdy wyciągać z gniazdka, ciągnąc za przewód przyłączeniowy.
- Urządzenie należy przechowywać w suchym i chłodnym miejscu.

2.3 Bezpieczeństwo podczas montażu urządzenia



NIEBEZPIECZEŃSTWO!

- Nie należy montować urządzenia w obszarach, w których występuje niebezpieczeństwo wybuchu gazu lub pyłu.



OSTROŻNIE!

- Należy zapewnić bezpieczną pozycję! Urządzenie musi być ustawione i przymocowane w taki sposób, aby nie mogło się przewrócić lub spaść.



UWAGA!

- Nie należy trzymać urządzenia w pobliżu źródła ciepła (promieni słonecznych, ogrzewania itd.). Źródło ciepła spowoduje jego dodatkowe nagrzanie.
- Urządzenie należy ustawić w suchym miejscu, zabezpieczonym przed zachlapaniem.

2.4 Bezpieczeństwo podczas elektrycznego podłączenia urządzenia



NIEBEZPIECZEŃSTWO! Zagrożenie życia w wyniku porażenia prądem!

- W przypadku wykonywania pracy z urządzeniami elektrycznymi należy upewnić się, iż w pobliżu znajduje się osoba, która może w nagłym przypadku udzielić pomocy.



OSTRZEŻENIE!

- Należy zwrócić uwagę na wystarczający przekrój przewodu.
- Przewody należy układać tak, by uniknąć ich uszkodzenia przez drzwi lub maskę silnika.
Zmiażdżone kable mogą spowodować obrażenia zagrażające życiu.

**OSTROŻNIE!**

- Przewody należy układać tak, by uniknąć potykania się o nie i ich uszkodzenia.

**UWAGA!**

- Jeżeli przewody muszą zostać przeprowadzone przez blaszane ściany lub inne ściany o ostrych krawędziach, należy użyć pustych rurek lub przepustów przewodów.
- **Nie** należy układać przewodów sieciowych 230 V i przewodów prądu stałego 12 V w tym samym kanale kablowym (pusta rurka).
- **Nie** należy układać luźnych albo mocno zgiętych przewodów.
- Należy dobrze przymocować przewody.
- Nie ciągnąć za przewody.

2.5 Bezpieczeństwo podczas eksploatacji urządzenia

**NIEBEZPIECZEŃSTWO! Zagrożenie życia w wyniku porażenia prądem!**

- Nigdy nie wolno chwytać gołymi rękami nieosłoniętych przewodów.

**OSTRZEŻENIE!**

- Urządzenie można używać jedynie w zamkniętych oraz dobrze wentylowanych pomieszczeniach.

**OSTROŻNIE!**

- Urządzenia **nie** należy eksploatować:
 - w słonym, wilgotnym lub mokrym otoczeniu
 - w sąsiedztwie żrących oparów
 - w pobliżu materiałów palnych
 - w miejscach, w których istnieje zagrożenie wybuchem
- Przed użyciem należy sprawdzić, czy przewód i wtyczka są suche.
- Podczas wykonywania prac na urządzeniu należy zawsze odłączyć urządzenie od zasilania.
- Po włączeniu urządzenia ochronnego (bezpiecznika) części urządzenia pozostają pod napięciem.
- Nie należy luzować przewodów w trakcie pracy urządzenia.

**UWAGA!**

- Należy uważać, aby wloty i wyloty powietrza w urządzeniu nie były zasłonięte.
- Konieczne jest zapewnienie dobrej wentylacji.

3 W zestawie

Poz. na rys. 1	Nazwa
1	Przetwornica sinusoidalna
2	Pilot
3	Kabel przyłączeniowy pilota
–	Instrukcja obsługi

4 Odbiorcy instrukcji

Ten rozdział rozdz. „Podłączanie przetwornicy” na stronie 242 przeznaczony jest wyłącznie dla specjalistów, którzy dysponują wiedzą w zakresie odpowiednich dyrektyw VDE.

Wszystkie pozostałe rozdziały skierowane są do użytkowników urządzenia.

5 Użytkowanie zgodne z przeznaczeniem

**OSTRZEŻENIE!**

Przetwornicy nie wolno stosować w pojazdach, w których biegun dodatni akumulatora jest połączony z podwoziem.

Przetwornice służą do przetwarzania napięcia stałego na napięcie zmienne 230 V o częstotliwości 50 Hz.

- **12 V**: DSP612, DSP1012, DSP1512, DSP2012
- **24 V**: DSP624, DSP1024, DSP1524, DSP2024

6 Opis techniczny

Przetwornice można stosować wszędzie tam, gdzie występuje przyłącze DC.

- **12 V_{DC}**: DSP612, DSP1012, DSP1512, DSP2012
- **24 V_{DC}**: DSP624, DSP1024, DSP1524, DSP2024

Dzięki niewielkiej masie oraz zwartej konstrukcji urządzenie to można bez problemów zamontować w pojazdach turystycznych, pojazdach użytkowych oraz jachtach wyposażonych w silniki bądź żagle.

Napięcie wyjściowe odpowiada napięciu dostępnemu w gniazdach sieci domowej (czyste napięcie sinusoidalne, współczynnik zniekształceń nieliniowych <5 %).

Należy zapoznać się z wartościami trwałej i szczytowej mocy wyjściowej, zobacz rozdz. „Dane techniczne” na stronie 248. Nie wolno podłączać urządzeń o większym zapotrzebowaniu mocy.



WSKAZÓWKA

Przy podłączaniu urządzeń z napędem elektrycznym (np. wiertarki, lodówki itd.) należy pamiętać, że przy rozruchu często wymagają one wyższej mocy niż podano na tabliczce znamionowej.

Przetwornica wyposażona jest w różne mechanizmy zabezpieczające:

- **Ochrona przed przepięciem:** Przetwornica wyłącza się wówczas, gdy wartość napięcia przekroczy wartość wyłączeniową. Włącza się ponownie po tym, jak napięcie spadnie do wartości ponownego uruchomienia.
- **Ochrona przed podnapięciem:** Przetwornica wyłącza się wówczas, gdy wartość napięcia spadnie poniżej wartości wyłączeniowej. Włącza się ponownie po tym, jak napięcie wzrośnie do wartości ponownego uruchomienia.
- **Ochrona przed zbyt wysoką temperaturą:** Przetwornica wyłącza się wówczas, gdy temperatura wewnątrz urządzenia lub temperatura elementu chłodzącego przekroczy wartość wyłączeniową. Włącza się ponownie po tym, jak napięcie wzrośnie do wartości ponownego uruchomienia.
- **Zabezpieczenie przeciążeniowe i zwarciove:** Dioda LED na przetwornicy sygnalizuje zakłócenie pracy, jeżeli podłączone obciążenie jest za duże lub nastąpiło zwarcie.



WSKAZÓWKA

Poszczególne wartości przełączania, zobacz rozdz. „Dane techniczne” na stronie 248.

Przetwornica może pracować w następujących rodzajach sieci:

- **Sieć TN:**

Przewód neutralny połączony jest z masą. Dodatkowo, w następnej kolejności musi być zainstalowany wyłącznik ochronny prądowy.

- **Sieć IT:**

Obie fazy są zaizolowane. Nadaje się ona do pracy jednego odbiornika. Gdy podłączonych będzie więcej niż jeden odbiornik, należy stworzyć projekt zabezpieczenia (np. czujnikiem izolacji).

Rodzaj sieci konfiguruje się przełącznikiem DIP na przetwornicy.

Przetwornicę można przełączać pilotem na tryb energooszczędny, aby podłączony akumulator nie rozładował się zbyt szybko.

Pilotem można włączać i wyłączać przetwornicę, a także włączać tryb energooszczędny.

6.1 Elementy obsługowe

Poz. na rys. 2	Nazwa	Opis
1	Główny przełącznik	Służy do włączania lub wyłączania urządzenia.
2	Dioda LED statusu	Patrz rozdz. „Wskaźniki trybu pracy” na stronie 244
3	Przełącznik DIP	Ustawia rodzaj sieci

6.2 Podłączenia



WSKAZÓWKA

Ilustracja przedstawia wersję na Europę kontynentalną

Poz. na rys. 2	Opis
4	Gniazda prądu zmiennego
5	Złącze do pilota
6	Przyłącze prądu stałego
7	Zacisk masy (uziemienie na karoserii samochodu)
8	Wentylatory

6.3 Pilot

Poz. na rys. 3	Nazwa
1	Włącznik/Wyłącznik
2	Dioda LED statusu
3	Złącze do pilota

7 Montaż przetwornicy

7.1 Wymagane narzędzia

Do **podłączenia elektrycznego** potrzebne są następujące narzędzia:

- Obcęgi zaciskowe
- 3 różnobarwne elastyczne kable przyłączeniowe. Wymagany przekrój jest podany w tabeli w rozdz. „Podłączanie przetwornicy” na stronie 242.
- Końcówki kablowe i tulejki zaciskowe do żył

Do **zamocowania** przetwornicy potrzebne są następujące materiały montażowe:

- Śruby maszynowe (M4) z podkładkami i śrubami samozabezpieczającymi lub
- Wkręty do blach lub drewna

7.2 Zasady montażu

Przed wyborem miejsca montażu należy uwzględnić następujące wskazówki:

- Przetwornicę można montować zarówno poziomo, jak i pionowo.
- Przetwornicę należy zamontować w miejscu chronionym przed wilgocią.
- Nie wolno montować przetwornicy w otoczeniu materiałów palnych.
- Przetwornicy nie wolno montować w zakurzonym otoczeniu.
- Miejsce montażu musi być dobrze wentylowane. W przypadku instalacji w zamkniętych, małych pomieszczeniach powinno być zapewnione napowietrzanie i odpowietrzanie. Minimalna wolna przestrzeń wokół przetwornicy musi wynosić co najmniej 5 cm (rys. 4).
- Należy zachować swobodny dopływ powietrza od tyłu lub wylot powietrza od przodu przetwornicy.
- Przy temperaturach otoczenia, powyżej 40°C (np. w komorach silnika lub ogrzewania, bezpośrednio oddziaływanie promieni słonecznych), przetwornica może się wyłączyć, mimo że moc podłączonych odbiorników będzie wynosiła poniżej obciążenia znamionowego (zmniejszanie dopuszczalnego obciążenia).
- Powierzchnia montażu musi być równa i wystarczająco wytrzymała.



UWAGA!

Przed wykonaniem jakichkolwiek nawierceń należy się upewnić, że kable elektryczne bądź inne części samochodu nie zostaną uszkodzone w wyniku wiercenia i piłowania.

7.3 Montaż przetwornicy

- Zamontować przetwornicę, jak pokazano na rysunku (rys. 5).

7.4 Montaż pilota

- Zamontować pilota, jak pokazano na rysunku (rys. 6).
- Usunąć folię ochronną.

8 Podłączanie przetwornicy

8.1 Ogólne wskazówki



OSTRZEŻENIE!

- Podłączenie przetwornicy może być wykonywane wyłącznie przez odpowiednio wyszkolonych specjalistów. Poniższe informacje są skierowane do specjalistów, którzy zapoznali się z odpowiednimi wytycznymi i środkami bezpieczeństwa.
- W przypadku pojazdów, w których biegun dodatni akumulatora jest połączony z podwoziem, **nie** wolno używać przetwornicy.
- Jeżeli na **przewodzie dodatnim** akumulatora nie zostanie zainstalowany bezpiecznik, może dojść do przecięcia przewodów, a w konsekwencji do pożaru.

- Przetwornica w przypadku instalacji w pojazdach oraz na łodziach musi zostać połączona z podwoziem lub masą.
- Podczas montowania obwodu rozdzielczego gniazd wtykowych (budowy sieci) należy przestrzegać przepisów VDE 0100.
- Należy stosować wyłącznie kable miedziane.
- Długość kabli stałego napięcia powinna być jak najmniejsza (< 1 m).
- Należy zastosować kabel o wymaganym przekroju i zainstalować bezpiecznik kablowy rys. **7** 1) na przewodzie plusowym jak najbliższej akumulatora (patrz tabela).

Urządzenie	Wymagany przekrój kabla	Bezpiecznik kabla
DSP612	25 mm ²	150 A
DSP624	25 mm ²	150 A
DSP1012	35 mm ²	200 A
DSP1024	25 mm ²	150 A
DSP1512	50 mm ²	250 A
DSP1524	25 mm ²	150 A
DSP2012	70 mm ²	300 A
DSP2024	35 mm ²	200 A

8.2 Podłączanie przetwornicy



UWAGA!

- Uważać, aby nie pomylić położenia biegunów. Nieprawidłowa biegunowość może spowodować uszkodzenie przetwornicy.
- Przetwornica może pracować wyłącznie z następującym napięciem:
 - DSP612, DSP1012, DSP1512, DSP2012: 12 V $\overline{=}$
 - DSP624, DSP1024, DSP1524, DSP2024: 24 V $\overline{=}$



WSKAZÓWKA

Należy dokręcić śruby lub nakrętki z maksymalnym momentem obrotowym 15 Nm. Luźne połączenia mogą prowadzić do przegrzania.

- Podłączyć przetwornicę, jak pokazano na rysunku.
 - Podłączanie akumulatora: rys. **7**
 - Podłączanie zacisku masy: rys. **8**
 - Podłączanie przewodu wyjściowego 230 V: rys. **9**

8.3 Podłączenie pilota zdalnej obsługi



UWAGA!

Złącze do pilota należy podłączać tylko do portu zdalnego. Nieprawidłowe podłączenie może spowodować uszkodzenie urządzenia.

- Podłączyć pilota, jak pokazano na rysunku (rys. **10**).

8.4 Podłączanie zewnętrznego przełącznika (osprzęt)



WSKAZÓWKA

W przypadku stosowania zewnętrznego przełącznika nie można zmienić stanu trybu energooszczędnego.

- Podłączyć przełącznik zewnętrzny, jak pokazano na rysunku (rys. **11**).

9 Używanie przetwornicy

9.1 Włączyć przetwornicę

- Wyłącznik główny (rys. **2** 1) przetwornicy ustawić w następujący sposób:
 - „0”: Całkowite wyłączenie przetwornicy
 - „I”: Tryb zwykły
 - „II”: Obsługa pilotem
- ✓ Przetwornica przeprowadza autotest.
- ✓ Po pomyślnym przeprowadzeniu autotestu dioda LED statusu (rys. **2** 2) pokazuje stan roboczy:
 - świeci się bez przerwy: aktywny normalny tryb pracy
 - mignięcie czterokrotne: tryb energooszczędny aktywny

9.2 Wskaźniki trybu pracy

Dioda LED (rys. **2** 2) sygnalizuje stan pracy przetwornicy.

Wskaźnik	Napięcie wejściowe
Ciągłe światło	Tryb zwykły
Długie miganie, krótka przerwa	Przetwornica przegrzana/przeciążenie
Szybkie miganie	Przebiecie/podnapięcie
Wył.	Inny błąd

Przetwornica wyłącza się, gdy:

- Napięcie akumulatora spada poniżej 10 V (przyłłącze 12 V \equiv) wzgl. 20 V (przyłłącze 24 V \equiv).
- Napięcie akumulatora wzrasta powyżej 16 V (przyłłącze 12 V \equiv) wzgl. 32 V (przyłłącze 24 V \equiv).
- Przetwornica zostaje przeciążona.
- Przetwornica zostaje przegrzana.

Po wyłączeniu z powodu przebiecia lub podnapięcia przetwornica włącza się ponownie, gdy ponownie zostanie osiągnięta ustawiona wartość napięcia.

Postępowanie w razie przeciążenia lub przegrzania:

- Włączyć przetwornicę za pomocą wyłącznika głównego (rys. **2** 1).

- Należy sprawdzić, czy przetwornica jest dobrze wentylowana i czy otwory wentylatora i szczeliny wentylacyjne nie są zablokowane.
- Odczekać ok. 5 – 10 min. i ponownie włączyć przetwornicę bez odbiorników.

9.3 Ustawianie trybu energooszczędnego



WSKAZÓWKA

- Inwerter przełączy się automatycznie na normalny tryb pracy, gdy podłączony zostanie odbiornik o mocy powyżej 45 W.
- Jeżeli podłączony jest zewnętrzny przełącznik, nie można zmienić trybu energooszczędnego.

Włączanie trybu energooszczędnego

- Ewentualnie wyłączyć inwerter.
- Nacisnąć przycisk wł./wył. (rys. 3 1) pilota tak długo, aż dioda LED statusu (rys. 3 2) mignie sześć razy.
- ✓ Następnie dioda LED statusu (rys. 3 2) na pilocie miga co 5 s.
- ✓ Tryb energooszczędny jest aktywny.

Wyłączanie trybu energooszczędnego

- Wyłączyć inwerter.
- Nacisnąć przycisk wł./wył. (rys. 3 1) pilota tak długo, aż dioda LED statusu (rys. 3 2) zacznie się świecić ciągle.
Zanim dioda LED statusu zacznie się świecić ciągle, sygnalizuje ona wyłączenie trybu energooszczędnego interwałem czterokrotnego migania, a następnie sześciokrotnego migania.
- ✓ Normalny tryb pracy jest aktywny.

9.4 Wybór rodzaju sieci



NIEBEZPIECZEŃSTWO!

Zmiana rodzaju sieci grozi śmiertelnym niebezpieczeństwem. Ustawienia w przełączniku DIP mogą być przeprowadzane wyłącznie przez wykwalifikowany personel. Kapturek ochronny przełącznika DIP zdejmować wyłącznie w celu dokonania ustawień. Założyć ponownie kapturek ochronny, by uniemożliwić przypadkowe przestawienie przełącznika DIP.

Za pomocą przełącznika DIP można ustalić rodzaj sieci, w jakim będzie używana przetwornica.

Parametr	Przełącznik DIP
<p>Sieć TN</p> <p>Niezbędny jest zewnętrzny, zainstalowany w następnej kolejności wyłącznik ochronny prądowy.</p>	Włączony
<p>Sieć IT</p> <p>Praca wyłącznie z jednym podłączonym odbiornikiem lub instalacja zewnętrznego czujnika izolacji.</p> <p>Przestrzegać krajowych norm!</p>	Wył.

10 Pielęgnacja i czyszczenie przetwornicy



UWAGA!

Do czyszczenia nie należy używać ostrych i twardych środków czyszczących; mogą one uszkodzić produkt.

- Od czasu do czasu należy czyścić produkt wilgotną ściereczką.

11 Usuwanie usterek



OSTRZEŻENIE!

Nie wolno otwierać urządzenia. W ten sposób użytkownik naraziłby się na niebezpieczeństwo porażenia prądem elektrycznym!



WSKAZÓWKA

W przypadku szczegółowych pytań dotyczących **danych przetwornicy** należy skontaktować się z jej producentem (adresy na odwrocie instrukcji).

Dioda LED (rys. **2** 2) sygnalizuje błąd:

Wskazanie diody LED	Przyczyna	Usuwanie
Szybkie miganie	Zbyt wysokie napięcie wejściowe	Należy sprawdzić napięcie wejściowe i zredukować je.
	Zbyt niskie napięcie wejściowe	Należy naładować akumulator. Należy sprawdzić przewody i połączenia.
Świecenie przez 2 sekundy, krótkie przerwanie	Przeciążenie termiczne	Należy sprawdzić przetwornicę oraz odbiorniki. Należy odczekać ok. 5 – 10 minut i ponownie włączyć przetwornicę bez odbiorników. Należy zredukować obciążenie i zadbać o lepszą wentylację przetwornicy. Następnie należy ponownie włączyć odbiornik.
	Zbyt wysokie obciążenie	Należy wyłączyć przetwornicę i usunąć odbiorniki. Następnie należy ponownie włączyć przetwornicę bez odbiorników. Jeśli teraz nie będzie wskazywane zbyt wysokie obciążenie, zwarcie występuje w odbiorniku lub łączne obciążenie było wyższe niż moc podana w specyfikacji. Należy sprawdzić przewody i połączenia.
Wył.	Inny błąd	W celu przeprowadzenia naprawy należy zwrócić się do działu serwisowego.

12 Gwarancja

Warunki gwarancji zostały opisane w Karcie Gwarancyjnej dołączonej do produktu.

W celu naprawy lub rozpatrzenia gwarancji konieczne jest przesłanie:

- kopii rachunku z datą zakupu,
- informacji o przyczynie reklamacji lub opisu wady.

13 Utylizacja


- Opakowanie należy wyrzucić do odpowiedniego pojemnika na śmieci do recyklingu.



Jeżeli produkt nie będzie dłużej eksploatowany, koniecznie dowiedz się w najbliższym zakładzie recyklingu lub w specjalistycznym sklepie, jakie są aktualnie obowiązujące przepisy dotyczące utylizacji.

14 Dane techniczne

Poniższe dane techniczne dotyczą wszystkich wersji przetwornicy:

Napięcie wyjściowe:	230 V \sim \pm 10 %, czysta fala sinusoidalna (współczynnik zniekształceń nieliniowych < 5 %)
Częstotliwość wyjściowa:	50 Hz \pm 0,5 Hz
Sprawność:	>90 %
Odprowadzanie ciepła:	wentylator uruchamiający się w zależności od temperatury i obciążenia
Temperatura otoczenia przy pracy:	0 °C do +50 °C
Temperatura otoczenia przy składowaniu:	-30 °C do +70 °C
Wilgotność powietrza:	0 – 95 %, nieskroplone
Kontrola/certyfikat:	

	DSP612	DSP 1012	DSP624	DSP 1024
Nr kat.:	9600002543 9600003597	9600002545 9600003599	9600002544 9600003598	9600002546 9600003600
Napięcie znamionowe wejściowe:	12 V \equiv		24 V \equiv	
Zakres napięcia wejściowego:	10 – 16,5 V \equiv		20 – 33 V \equiv	
Moc znamionowa:	600 W	1000 W	600 W	1000 W
Moc maksymalna przez 1 min:	690 W	1150 W	690 W	1150 W
Moc szczytowa przez 1 s:	1200 W	2000 W	1200 W	2000 W
Pobór prądu bez obciążenia przy napięciu nominalnym:	<0,8 A	<1,0 A	<0,5 A	<0,6 A
Pobór prądu w stanie spoczynku (Standby):	<0,3 A	<0,35 A	<0,2 A	<0,2 A
Wymiary Sz x D x W	rys. 15			
Waga:	2,8 kg	3,1 kg	2,8 kg	3,1 kg

	DSP1512	DSP 2012	DSP1524	DSP 2024
Nr wyrobu:	9600002547 9600003601	9600002549 9600003603 9600002561	9600002548 9600003602	9600002550 9600003604 9600002562
Napięcie znamionowe wejściowe:	12 V \equiv		24 V \equiv	
Zakres napięcia wejściowego:	10 – 16,5 V \equiv		20 – 33 V \equiv	
Moc znamionowa:	1500 W	2000 W	1500 W	2000 W
Moc maksymalna przez 1 min:	1725 W	2300 W	1725 W	2300 W
Moc szczytowa przez 1 s:	3000 W	4000 W	3000 W	4000 W
Pobór prądu bez obciążenia przy napięciu nominalnym:	<1,2 A	<1,5 A	<0,6 A	<0,8 A
Pobór prądu w stanie spoczynku (Standby):	<0,4 A	<0,5 A	<0,25 A	<0,3 A
Wymiary Sz x D x W	rys. 15			
Waga:	4,9 kg	5,2 kg	4,9 kg	5,2 kg

Urządzenia zabezpieczające

	12 V	24 V
Wejście:	Pod napięcie, zabezpieczenie przed nieprawidłowym podłączeniem biegunów (bezpiecznik wewnętrzny)	
Wyjście AC:	Przebieżenie, zwarcie, przeciążenie	
Temperatura:	Wyłączenie	
Ochrona przed zwarcieniem:	tak, Ipk	

Ochrona przed przepięciem

Urządzenie	Nad napięcie	
	Wyłączenie	Ponowne uruchomienie
DSP612, DSP1012, DSP1512, DSP2012	16,5 V	15,5 V
DSP624, DSP1024, DSP1524, DSP2024	33 V	31 V

Ochrona przed pod napięciem

Urządzenie	Pod napięcie	
	Wyłączenie	Ponowne uruchomienie
DSP612, DSP1012, DSP1512, DSP2012	10 V	12 V
DSP624, DSP1024, DSP1524, DSP2024	20 V	24 V

Aktualną deklarację zgodności UE dla urządzenia znajdą Państwo na podstronie danego produktu na stronie dometic.com lub bezpośrednio u producenta (zob. na odwrocie).

Pred montážou a uvedením do prevádzky si prosím pozorne prečítajte tento návod a odložte si ho. V prípade odovzdania výrobku ďalšiemu používateľovi mu odovzdajte aj tento návod.

Obsah

1	Vysvetlenie symbolov	253
2	Všeobecné bezpečnostné upozornenia	253
3	Rozsah dodávky	256
4	Cieľová skupina tohto návodu	257
5	Používanie v súlade s určením	257
6	Technický opis.	257
7	Montáž striedača.	260
8	Pripojenie striedača	261
9	Používanie striedača	263
10	Ošetrovanie a čistenie striedača.	265
11	Odstraňovanie porúch	266
12	Záruka	267
13	Likvidácia	267
14	Technické údaje	267

1 Vysvetlenie symbolov

**NEBZPEČENSTVO!**

Bezpečnostný pokyn: Nerešpektovanie vedie k smrti alebo k ťažkému zraneniu.

**VÝSTRAHA!**

Bezpečnostný pokyn: Nerešpektovanie môže viesť k smrti alebo k ťažkému zraneniu.

**POZOR!**

Nerešpektovanie môže viesť k materiálnym škodám a môže ovplyvniť funkciu zariadenia.

**POZNÁMKA**

Doplňujúce informácie k obsluhu výrobku.

2 Všeobecné bezpečnostné upozornenia

2.1 Všeobecná bezpečnosť

Výrobca v nasledujúcich prípadoch nepreberá za škody žiadnu záruku:

- Chyby montáže alebo pripojenia
- Poškodenia produktu mechanickým pôsobením a nesprávnym pripájacím napätím
- Zmeny produktu bez vyjadreného povolenia výrobcu
- Použitie na iné účely ako sú účely uvedené v návode

Rešpektujte nasledujúce zásadné bezpečnostné opatrenia pri používaní elektrických prístrojov na ochranu pred:

- zásahom elektrického prúdu,
- nebezpečenstvom požiaru,
- zraneniami.

2.2 Základná bezpečnosť



NEBZPEČENSTVO!

- V prípade požiaru použite hasiaci prístroj, ktorý je vhodný na elektrické prístroje.



VÝSTRAHA!

- Používajte prístroj iba na účely, na ktoré je určený.
- Dávajte pozor na to, aby sa červená a čierna svorka **nikdy** navzájom nedotkli.
- Odpojte prístroj od siete
 - pred každým čistením a ošetrovaním,
 - pred každou výmenou poistky.
- Ak prístroj demontujete:
 - Odpojte všetky spoje.
 - Uistite sa, že sú všetky vstupy a výstupy bez napätia.
- Keď má prístroj alebo pripájací kábel viditeľné poškodenia, nesmiete prístroj uviesť do prevádzky.
- Keď je poškodený pripájací kábel tohto prístroja, musí ho vymeniť výroba, jeho zákaznícka služba alebo podobne kvalifikovaná osoba, aby sa zabránilo ohrozeniam.
- Opravy na tomto prístroji smú vykonávať len odborníci. Neodbornými opravami môžu vzniknúť značné nebezpečenstvá.
- Prístroj smú používať deti od 8 rokov a osoby so zníženými psychickými, zmyslovými alebo mentálnymi schopnosťami a vedomosťami, keď sú pod dozorom alebo keď boli poučené o bezpečnom používaní prístroja a keď chápu, aké riziká z toho vyplývajú.
- **Elektrické prístroje nie sú hračkou pre deti!**
Prístroj používajte mimo dosahu detí.
- Deti by mali byť pod dozorom, aby sa zabezpečilo, že sa nebudú hrať s týmto prístrojom.



POZOR!

- Pred uvedením do prevádzky porovnajte údaj o napätí na výrobnom štítku s prítomným zásobovaním energiou.
- Dávajte pozor na to, aby iné predmety nespôsobili **žiadny** skrat na kontaktoch prístroja.
- Neťahajte zástrčku zo zásuvky nikdy za pripájací kábel.
- Uschovajte prístroj na suchom a chladnom mieste.

2.3 Bezpečnosť pri montáži prístroja



NEBZPEČENSTVO!

- Nemontujte prístroj v oblastiach, v ktorých existuje nebezpečenstvo výbuchu plynov alebo prachu.



UPOZORNENIE!

- Dávajte pozor na bezpečné postavenie! Prístroj musí byť postavený a upevnený tak bezpečne, aby sa nemohol prevrátiť alebo spadnúť.



POZOR!

- Nevystavte prístroj žiadnemu tepelnému zdroju (slnečné žiarenie, kúrenie atď.). Vyhnete sa tak dodatočnému zohriatiu prístroja.
- Prístroj osadzte na suchom mieste, ktoré je chránené pred striekajúcou vodou.

2.4 Bezpečnosť pri elektrickom pripájaní prístroja



NEBZPEČENSTVO! Nebezpečenstvo ohrozenia života zásahom elektrického prúdu!

- Keď pracujete na elektrických zariadeniach, uistite sa, že je niekto nablízku, kto by vám mohol v núdzovom prípade pomôcť.



VÝSTRAHA!

- Dávajte pozor na dostatočný prierez kábla.
- Položte káble tak, aby sa nepoškodili dverami alebo kapotou motora. Privrznuté káble môžu spôsobiť život ohrozujúce zranenia.



UPOZORNENIE!

- Položte káble tak, aby nevzniklo žiadne nebezpečenstvo zakopnutia a vylúčilo sa poškodenie kábla.



POZOR!

- Použite prázdne rúrky alebo káblové priechodky, keď sa káble musia prevliecť cez plechové steny alebo iné steny s ostrými hranami.
- Neuložte** 230 V sieťové káble a 12 V káble jednosmerného prúdu v rovnakom káblovom kanáli (prázdna rúrka).
- Nepoložte** káble voľne alebo ostro zalomené.
- Káble dobre upevnite.
- Neťahajte za káble.

2.5 Bezpečnosť pri prevádzke zariadenia



NEBZPEČENSTVO! Nebezpečenstvo ohrozenia života zásahom elektrického prúdu!

- Nikdy sa nedotýkajte holými rukami obnažených vodičov.



VÝSTRAHA!

- Používajte prístroj výlučne v uzavretých, dobre vetraných miestnostiach.



UPOZORNENIE!

- **Neprevádzkujte** prístroj
 - v prostredí, ktoré obsahuje soľ, ani vo vlhkom alebo mokrom prostredí,
 - v blízkosti agresívnych pár,
 - v blízkosti horľavých materiálov,
 - v oblastiach s nebezpečenstvom výbuchu.
- Pred uvedením do prevádzky dávajte pozor na to, aby boli prírodný kábel a zástrčka suché.
- Pri práci na prístroji vždy prerušte zásobovanie prúdom.
- Rešpektujte, že aj po aktivácii ochranného zariadenia (poistka) môžu časti prístroja ostať pod napätím.
- Neodpájajte žiadne káble, keď je prístroj ešte v prevádzke.



POZOR!

- Dávajte pozor na to, aby neboli vstupy a výstupy vzduchu na prístroji zakryté.
- Dbajte na dobré vetranie.

3 Rozsah dodávky

Pol. na obr. 1	Označenie
1	Sínusový menič
2	Diaľkové ovládanie
3	Pripájací kábel diaľkového ovládania
–	Návod na obsluhu

4 Cieľová skupina tohto návodu

kap. „Pripojenie striedača“ na strane 261 je určená výlučne pre odborníkov, ktorí sú oboznámení s príslušnými smernicami VDE.

Všetky ostatné kapitoly sú určené aj pre používateľa prístroja.

5 Používanie v súlade s určením



VÝSTRAHA!

Striedač sa nesmie používať vo vozidlách, v ktorých je kladný pól batérie spojený s kostrou.

Striedač slúži na premieňanie jednosmerného napätia na 230 V striedavé napätie 50 Hz.

- **12 V $\overline{\text{---}}$** : DSP612, DSP1012, DSP1512, DSP2012
- **24 V $\overline{\text{---}}$** : DSP624, DSP1024, DSP1524, DSP2024

6 Technický opis

Striedače sa dajú prevádzkovať všade tam, kde je k dispozícii prípojka jednosmerného napätia.

- **12 V $\overline{\text{---}}$** : DSP612, DSP1012, DSP1512, DSP2012
- **24 V $\overline{\text{---}}$** : DSP624, DSP1024, DSP1524, DSP2024

Vďaka nízkej hmotnosti a kompaktnej konštrukcii sa prístroj dá ľahko zabudovať do cestovných automobilov, úžitkových vozidiel alebo do motorových lodí a plachetníc.

Výstupné napätie zodpovedá napätiu v elektrickej sieti domácnosti zo zásuvky (čisté sínusové napätie, činiteľ harmonického skreslenia < 5 %).

Dbajte na hodnoty trvalého výstupného výkonu a špičkového výstupného výkonu, ako sú uvedené v kap. „Technické údaje“ na strane 267. Zariadenia, ktoré majú vyšší príkon, sa nesmú pripájať.



POZNÁMKA

Pri pripojení zariadení s elektrickým pohonom (napr. vŕtačka, chladnička atď.) si uvedomte, že na rozbeh potrebujú často vyšší výkon, ako je uvedený na typovom štítku.

Striedač je vybavený rôznymi ochrannými mechanizmami:

- **Prepätová ochrana:** Striedač sa vypne, keď hodnota napätia prekročí hodnotu vypnutia. Opäť sa zapne, keď napätie klesne na hodnotu opätovného zapnutia.
- **Podpätová ochrana:** Striedač sa vypne, keď hodnota napätia klesne pod hodnotu vypnutia. Opäť sa zapne, keď napätie stúpne na hodnotu opätovného zapnutia.
- **Ochrana v prípade nadmernej teploty:** Striedač sa vypne, keď teplota v rámci prístroja alebo teplota na chladiacom telese prekročí hodnotu vypnutia. Opäť sa zapne, keď napätie stúpne na hodnotu opätovného zapnutia.
- **Ochrana pred preťažením a pred skratom:** LED na striedači hlási prevádzkovú poruchu (červené neprerušované svetlo), keď je pripojená príliš veľká záťaž alebo vznikol skrat.



POZNÁMKA

Jednotlivé hodnoty spínania nájdete v kap. „Technické údaje“ na strane 267.

Striedač je možné prevádzkovať v nasledujúcich sieťových formách:

- **TN sieť:**
Neutrálny vodič striedača je spojený s uzemnením. Musí byť nainštalovaný následne zapojený prúdový chránič.
- **IT sieť:**
Obidve fázy sú izolované. Toto je vhodné pre prevádzku so spotrebičom. Ak sa pripája viac spotrebičov, musí sa navrhnuť bezpečnostný koncept (napr. snímač izolácie).

Sieťová forma sa konfiguruje cez spínač DIP na striedači.

Striedač sa môže pomocou diaľkového ovládania prepnúť do režimu úspory energie, aby sa pripojená batéria príliš rýchlo nevybila.

Diaľkovým ovládaním je možné zapnúť a vypnúť striedač, ako aj zapnúť režim úspory energie.

6.1 Ovládacie prvky

Pol. na obr. 2	Označenie	Popis
1	Hlavný vypínač	Zapína alebo vypína zariadenie
2	Stavová LED	Pozri kap. „Prevádzkové indikátory“ na strane 263
3	Spínač DIP	Nastavuje sieťovú formu

6.2 Pripojenia



POZNÁMKA

Na obrázku je verzia pre Európu.

Pol. na obr. 2	Popis
4	Zásuvka na striedavý prúd
5	Prípojka pre diaľkové ovládanie
6	Prípojka na jednosmerný prúd
7	Uzemňovacia svorka (uzemnenie na karosérii vozidla)
8	Ventilátor

6.3 Diaľkové ovládanie

Pol. na obr. 3	Označenie
1	Spínač zap./vyp.
2	Stavová LED
3	Prípojka pre diaľkové ovládanie

7 Montáž striedača

7.1 Potrebné náradie

Na **elektrické pripojenie** potrebujete príslušné pomôcky:

- Krimpovacie kliešte
- 3 rôznofarebné ohybné pripájacie káble. Potrebný prierez nájdete v tabuľke v kap. „Pripojenie striedača“ na strane 261.
- Káblové koncovky a dutinky

Na **upevnenie** striedača potrebujete nasledovné montážne prostriedky:

- Strojové skrutky (M4) s podložkami a samopoistnými maticami alebo
- Skrutkami na plech, príp. do dreva

7.2 Pokyny na montáž

Pri výbere miesta montáže dodržiavajte nasledovné inštrukcie:

- Montáž striedača sa môže vykonať horizontálne alebo vertikálne.
- Striedač sa musí namontovať na mieste chránenom pred vlhkosťou.
- Striedač sa nesmie namontovať v blízkosti zápalných materiálov.
- Striedač sa nesmie namontovať v prašnom prostredí.
- Miesto montáže musí byť dobre vetrané. Pri inštaláciách v malých uzavretých priestoroch by mala byť zabezpečená ventilácia. Okolo striedača musí byť odstup minimálne 5 cm (obr. 4).
- Prívod vzduchu na zadnej strane, príp. vývod vzduchu na prednej strane striedača musí zostať voľný.
- Pri teplotách okolia vyšších ako 40 °C (napr. v motorovom priestore alebo vykurovaných priestoroch, priame slnečné žiarenie) sa striedač môže vypnúť, hoci je výkon pripojených spotrebičov nižší ako menovité zaťaženie (derating).
- Montážna plocha musí byť rovná a dostatočne pevná.



POZOR!

Pred vyvrtaním akýchkoľvek otvorov zabezpečte, aby sa nepoškodili žiadne elektrické káble alebo iné časti vozidla vrtaním, pílením alebo pilovaním.

7.3 Montáž striedača

- ▶ Namontujte striedač podľa obrázku (obr. **5**).

7.4 Montáž diaľkového ovládania

- ▶ Namontujte diaľkové ovládanie podľa obrázku (obr. **6**).
- ▶ Odstráňte ochrannú fóliu.

8 Pripojenie striedača

8.1 Všeobecné upozornenia



VÝSTRAHA!

- Pripojenie striedača smú vykonávať výlučne odborné firmy s príslušným osvedčením. Nasledujúce informácie sú určené pre odborníkov, ktorí sú oboznámení s príslušnými smernicami a bezpečnostnými opatreniami.
 - Vo vozidlách, kde je kladný pól batérie spojený s karosériou, sa striedač **nesmie** používať.
 - Ak do **kladného vedenia** batérie nevložíte žiadnu poistku, môžu sa vedenia preťažiť a môže dôjsť k požiaru.
-
- Striedač musí byť v prípade inštalácie do vozidiel alebo lodí spojený s rámom, príp. kostrou.
 - Pri budovaní zásuvkového rozdeľovacieho obvodu (výstavba siete) dodržiavajte predpisy smernice VDE 0100.
 - Používajte výlučne medené káble.
 - Kábel jednosmerného napätia udržiavajte čo možno najkratší (< 1 m).
 - Dodržiavajte požadovaný priemer kábla a káblovú poistku (obr. **7** 1) vložte na kladné vedenie čo možno najbližšie k batérii (pozri tabuľku).

Prístroj	Požadovaný prierez kábla	Káblková poisťka
DSP612	25 mm ²	150 A
DSP624	25 mm ²	150 A
DSP1012	35 mm ²	200 A
DSP1024	25 mm ²	150 A
DSP1512	50 mm ²	250 A
DSP1524	25 mm ²	150 A
DSP2012	70 mm ²	300 A
DSP2024	35 mm ²	200 A

8.2 Pripojenie striedača



POZOR!

- Dbajte na to, aby sa nezamenila polarita. Nesprávna polarita môže spôsobiť poškodenie striedača.
- Dbajte na to, že striedač sa smie prevádzkovať len s nasledujúcim napätím:
 - DSP612, DSP1012, DSP1512, DSP2012: 12 V $\overline{=}$
 - DSP624, DSP1024, DSP1524, DSP2024: 24 V $\overline{=}$



POZNÁMKA

Utiahnite skrutky alebo matice uťahovacím momentom 15 Nm. Voľné spojenia môžu viesť k prehriatiam.

- Pripojte striedač podľa obrázku:
 - Pripojenie batérie: obr. **7**
 - Pripojenie uzemňovacej svorky: obr. **8**
 - Pripojenie výstupného vedenia 230 V: obr. **9**

8.3 Pripojenie diaľkového ovládania



POZOR!

Zasuňte prípojku diaľkového ovládania len do portu Remote. Nesprávnym pripojením sa môže prístroj poškodiť.

- Pripojte diaľkové ovládanie podľa obrázku (obr. **10**).

8.4 Pripojenie externého spínača (príslušenstvo)



POZNÁMKA

Pri použití externého spínača nemôžete zmeniť stav režimu úspory energie.

- ▶ Pripojte externý spínač podľa obrázku (obr. **11**).

9 Používanie striedača

9.1 Zapnutie striedača

- ▶ Nastavte hlavný vypínač (obr. **2** 1) striedača nasledovne:
 - „0“: Striedač úplne vypnutý
 - „I“: Normálna prevádzka
 - „II“: Prevádzka cez diaľkové ovládanie
- ✓ Striedač vykoná autotest.
- ✓ Po úspešnom autoteste zobrazí stavová LED (obr. **2** 2) prevádzkový stav:
 - Nepretržite svieti: Normálny režim aktivovaný
 - Bliká: Režim úspory energie aktivovaný

9.2 Prevádzkové indikátory

LED (obr. **2** 2) zobrazuje prevádzkový stav striedača.

Indikácia	Vstupné napätie
Trvalo svieti	Normálna prevádzka
Dlhé blikanie, krátke prerušenie	Striedač prehriaty/preťaženie
Rýchle blikanie	Prepätie/podpätie
Vyp.	Iná chyba

Striedač sa vypne, keď:

- Napätie batérie klesne pod 10 V (prípojka 12 V \equiv) príp. 20 V (prípojka 24 V \equiv).
- Napätie batérie stúpne nad 16 V (prípojka 12 V \equiv) príp. 32 V (prípojka 24 V \equiv).
- Striedač sa preťaží.
- Striedač sa prehrieva.

Pri vypnutí následkom prepätia alebo podpätia sa striedač zapne opäť vtedy, keď je znovu dosiahnutá nastavená hodnota napätia.

Pri vypnutí následkom preťaženia alebo prehriatia postupujte nasledovne:

- Vypnite striedač hlavným vypínačom (obr. **2** 1).
- Skontrolujte, či má striedač dostatočné odvetranie a či sú vetracie otvory a štrbiny voľné.
- Počkajte približne 5 – 10 minút a striedač bez spotrebiča znova zapnite.

9.3 Nastavenie režimu úspory energie



POZNÁMKA

- Striedač sa automaticky prepne do normálnej prevádzky po pripojení záťaže nad 45 W.
- Ak pripojíte externý spínač, nemôžete zmeniť režim úspory energie.

Aktivovanie režimu úspory energie

- Príp. vypnite striedač.
- Tlačidlo vyp./zap. (obr. **3** 1) diaľkového ovládania držte stlačené dovtedy, kým stavová LED (obr. **3** 2) diaľkového ovládania šesťkrát nezabliká.
- ✓ Stavová LED (obr. **3** 2) diaľkového ovládania potom bliká každých 5 sekúnd.
- ✓ Režim úspory energie je aktivovaný.

Deaktivovanie režimu úspory energie

- Vypnite striedač.
- Tlačidlo vyp./zap. (obr. **3** 1) diaľkového ovládania držte stlačené dovtedy, kým stavová LED (obr. **3** 2) diaľkového ovládania nepretržite nesvieti.
Skôr než stavová LED začne nepretržite svietiť, vypnutie režimu úspory energie signalizuje intervalom štyroch bliknutí, po ktorom nasleduje šesť bliknutí.
- ✓ Normálny režim je aktivovaný.

9.4 Nastavenie sieťovej formy



NEBZPEČENSTVO!

Zmena sieťovej formy vedie k nebezpečenstvu ohrozenia života. Nastavenia na spínači DIP smú vykonávať len odborníci. Ochranný kryt spínača DIP odstraňujte len kvôli nastaveniu. Ochranný kryt znovu nasadte, aby nedošlo k prestaveniu spínača DIP.

Pomocou spínača DIP môžete nastaviť, v ktorej sieťovej forme bude striedač prevádzkovaný.

Parametre	Spínač DIP
TN sieť Externý, následne zapojený prúdový chránič je potrebný.	Zapnutie
IT sieť Prevádzka len so spotrebičom alebo inštaláciou externého snímača izolácie.	Vyp.

Dodržiujte národné normy!

10 Ošetrovanie a čistenie striedača



POZOR!

Na čistenie nepoužívajte ostré alebo tvrdé predmety, pretože by mohli poškodiť výrobok.

- Výrobok príležitostne vyčistite mierne navlhčenou handričkou.

11 Odstraňovanie porúch



VÝSTRAHA!

Prístroj neotvárajte. Vystavujete sa nebezpečenstvu zásahu elektrickým prúdom!



POZNÁMKA

V prípade konkrétnych otázok týkajúcich sa **údajov striedača**, sa obráťte na výrobcu (adresy pozri na zadnej strane návodu).

LED (obr. **2**) 2) signalizuje chybu:

LED indikácia	Príčina	Odstránenie
Rýchle blikanie	Príliš vysoké vstupné napätie	Skontrolujte vstupné napätie a znížte ho.
	Príliš nízke vstupné napätie	Batérie musíte dobiť. Skontrolujte vedenia a spojenia.
Svieti 2 s, krátke prerušenie	Tepelné preťaženie	Vypnite striedač a spotrebič. Počkajte približne 5 – 10 minút a striedač znovu zapnite bez spotrebiča. Znížte zaťaženie a postarajte sa o lepšie odvetranie striedača. Potom spotrebič znova zapnite.
	Príliš vysoké zaťaženie	Vypnite striedač a odstráňte spotrebič. Potom striedač znova zapnite bez spotrebiča. Ak sa teraz už nebude indikovať príliš vysoké zaťaženie, znamená to, že skrat je v spotrebiči, alebo bolo celkové zaťaženie vyššie ako je špecifikovaná hodnota výkonu v údajovom liste. Skontrolujte vedenia a spojenia.
Vyp.	Iná chyba	Obráťte sa na zákaznícky servis.

12 Záruka

Platí zákonom stanovená záručná lehota. Ak by bol výrobok chybný, obráťte sa na pobočku vo vašej krajine (adresy pozri na zadnej strane návodu) alebo na vášho špecializovaného predajcu.

Ak žiadate o vybavenie opravy alebo nárokov vyplývajúcich zo záruky, musíte priložiť nasledovné podklady:

- kópiu faktúry s dátumom kúpy,
- dôvod reklamácie alebo opis chyby.

13 Likvidácia


- Obalový materiál podľa možnosti odovzdajte do príslušného odpadu na recykláciu.



Keď výrobok definitívne vyradíte z prevádzky, informujte sa v najbližšom recyklačnom stredisku alebo u vášho špecializovaného predajcu o príslušných predpisoch týkajúcich sa likvidácie.

14 Technické údaje

Pre všetky striedače platia nasledovné technické údaje:

Výstupné napätie:	230 V \sim \pm 10 %, čistá sínusoida (činiteľ harmonického skreslenia < 5 %)
Výstupná frekvencia:	50 Hz \pm 0,5 Hz
Stupeň účinnosti:	>90 %
Odvádzanie tepla:	ventilátor riadený podľa teploty a zaťaženia
Teplota okolia pri prevádzke:	0 °C až +50 °C
Teplota okolia pri skladovaní:	-30 °C až +70 °C
Vlhkosť vzduchu:	0 – 95 %, nekondenzujúca
Skúška/certifikát:	

	DSP612	DSP 1012	DSP624	DSP 1024
Č. výrobku:	9600002543 9600003597	9600002545 9600003599	9600002544 9600003598	9600002546 9600003600
Vstupné menovité napätie:	12 V \equiv		24 V \equiv	
Rozsah vstupného napätia:	10 – 16,5 V \equiv		20 – 33 V \equiv	
Menovitý výkon:	600 W	1000 W	600 W	1000 W
Maximálny výkon počas 1 minúty:	690 W	1150 W	690 W	1150 W
Nárazový prúd počas 1 s:	1200 W	2000 W	1200 W	2000 W
Spotreba prúdu naprázdno pri menovitom napätí:	<0,8 A	<1,0 A	<0,5 A	<0,6 A
Spotreba prúdu v pohotovostnom režime:	<0,3 A	<0,35 A	<0,2 A	<0,2 A
Rozmery Š x D x V:	obr. 15			
Hmotnosť:	2,8 kg	3,1 kg	2,8 kg	3,1 kg

	DSP1512	DSP 2012	DSP1524	DSP 2024
Č. výrobku:	9600002547 9600003601	9600002549 9600003603 9600002561	9600002548 9600003602	9600002550 9600003604 9600002562
Vstupné menovité napätie:	12 V \equiv		24 V \equiv	
Rozsah vstupného napätia:	10 – 16,5 V \equiv		20 – 33 V \equiv	
Menovitý výkon:	1500 W	2000 W	1500 W	2000 W
Maximálny výkon počas 1 minúty:	1725 W	2300 W	1725 W	2300 W
Nárazový prúd počas 1 s:	3000 W	4000 W	3000 W	4000 W
Spotreba prúdu naprázdno pri menovitom napätí:	<1,2 A	<1,5 A	<0,6 A	<0,8 A
Spotreba prúdu v pohotovostnom režime:	<0,4 A	<0,5 A	<0,25 A	<0,3 A
Rozmery Š x D x V:	obr. 15			
Hmotnosť:	4,9 kg	5,2 kg	4,9 kg	5,2 kg

Ochranné zariadenia

	12 V	24 V
Vstup:	Podpätie, ochrana proti prepólovaniu (interná poistka)	
Výstup AC:	Prepätie, skrat, preťaženie	
Teplota:	Vypnutie	
Ochrana proti skratu:	áno, Ipk	

Prepätiová ochrana

Prístroj	Prepätie	
	Vypnutie	Opätovné spustenie
DSP612, DSP1012, DSP1512, DSP2012	16,5 V	15,5 V
DSP624, DSP1024, DSP1524, DSP2024	33 V	31 V

Ochrana v prípade podpätia

Prístroj	Podpätie	
	Vypnutie	Opätovné spustenie
DSP612, DSP1012, DSP1512, DSP2012	10 V	12 V
DSP624, DSP1024, DSP1524, DSP2024	20 V	24 V

Aktuálne EÚ vyhlásenie o zhode pre vaše zariadenie nájdete na stránke príslušného výrobku na adrese dometic.com alebo vám ho poskytne priamo výrobca (pozri zadnú stranu).

Před zahájením instalace a uvedením do provozu si pečlivě přečtěte tento návod a uschovejte jej. V případě dalšího prodeje výrobku předejte návod novému uživateli.

Obsah

1	Vysvětlení symbolů	271
2	Všeobecné bezpečnostní pokyny	271
3	Obsah dodávky	274
4	Cílová skupina tohoto návodu	275
5	Použití v souladu se stanoveným účelem	275
6	Technický popis	275
7	Montáž měniče	277
8	Připojení měniče	279
9	Používání měniče	281
10	Čištění a péče o měnič	283
11	Odstraňování závad	284
12	Záruka	285
13	Likvidace	285
14	Technické údaje	285

1 Vysvětlení symbolů

**NEBEZPEČÍ!**

Bezpečnostní pokyny: Následkem nedodržení pokynů jsou smrtelná nebo vážná zranění.

**VÝSTRAHA!**

Bezpečnostní pokyny: Následkem nedodržení pokynů mohou být smrtelná nebo vážná zranění.

**POZOR!**

Nedodržení pokynů může mít za následek hmotné škody a narušení funkce výrobku.

**POZNÁMKA**

Doplňující informace týkající se obsluhy výrobku.

2 Všeobecné bezpečnostní pokyny

2.1 Obecná bezpečnost

V následujících případech nepřebírá výrobce žádné záruky za škody:

- Chybná montáž nebo chybné připojení
- Poškození výrobku působením mechanických vlivů a chybného připojovacího napětí
- Změna výrobku bez výslovného souhlasu výrobce
- Použití k jiným účelům, než jsou popsány v tomto návodu

Při použití elektrických přístrojů dodržujte následující zásadní bezpečnostní opatření k ochraně před následujícími nebezpečími:

- zasažení elektrickým proudem
- nebezpečí požáru
- úrazy

2.2 Základní bezpečnost



NEBEZPEČÍ!

- V případě požáru použijte hasicí přístroj, který je vhodný k hašení elektrických přístrojů.



VÝSTRAHA!

- Používejte přístroj pouze v souladu s jeho určením.
- Dávejte pozor, aby **nikdy** nedošlo ke vzájemnému kontaktu červené a černé svorky.
- Přístroj odpojte od sítě:
 - Před každým čištěním a údržbou
 - Před výměnou pojistek
- V případě demontáže přístroje:
 - Odpojte veškerá připojení.
 - Zajistěte, aby byly všechny vstupy a výstupy odpojeny od napětí.
- V případě, že jsou přístroj nebo přívodní kabel poškozeny, nesmíte výrobek dále používat.
- Pokud je přívodní kabel přístroje poškozen, musíte jej nechat vyměnit výrobcem, jeho servisním centrem nebo jinou kvalifikovanou osobou tak, aby nemohlo dojít k jakémukoliv ohrožení.
- Opravy tohoto výrobku směřjí provádět pouze odborníci. Nesprávně provedené opravy mohou být zdrojem značných rizik.
- Tento přístroj mohou používat děti od 8 let a osoby se sníženými fyzickými, sensorickými nebo mentálními schopnostmi, nebo osoby s nedostatkem zkušeností a/nebo znalostí, pokud budou pod dozorem nebo pokud byly poučeny o bezpečném použití přístroje a porozuměly nebezpečím, která z použití výrobku vyplývají.
- **Elektrické přístroje nejsou hračky pro děti!** Přístroj používejte a skladujte mimo dosah dětí.
- Děti musejí být pod dohledem tak, aby si s výrobkem nehrály.



POZOR!

- Před uvedením do provozu porovnejte údaj o napětí na typovém štítku se stávajícím zdrojem napájení.
- Zajistěte, aby jiné předměty **nezpůsobily** zkrat na kontaktech přístroje.
- Nikdy nevytahujte zástrčku ze zásuvky tahem za přívodní kabel.
- Přístroj skladujte na suchém a chladném místě.

2.3 Bezpečnost při montáži přístroje



NEBEZPEČÍ!

- Nemontujte přístroj v oblastech, ve kterých hrozí nebezpečí exploze plynu nebo prachu.



UPOZORNĚNÍ!

- Pamatujte na bezpečnou stabilitu! Přístroj musí být umístěn a upevněn tak, aby se nemohl převážít nebo spadnout.



POZOR!

- Nevystavujte přístroj zdroji tepla (sluneční záření, topení apod.). Zabráníte tak dalšímu zahřívání přístroje.
- Umístěte přístroj na suchém místě chráněním před stříkající vodou.

2.4 Bezpečnost při elektrickém připojování přístroje



NEBEZPEČÍ! Ohrožení života elektrickým proudem!

- Pokud pracujete na elektrických zařízeních zajistěte, aby byla na blízku další osoba, která vám může v nouzovém případě pomoci.



VÝSTRAHA!

- Pamatujte na dostatečný průřez vodiče.
- Instalujte kabely tak, aby nemohly být poškozeny dveřmi nebo kryty motorového prostoru. Přivěšené kabely mohou mít za následek životu nebezpečné úrazy.



UPOZORNĚNÍ!

- Instalujte vodiče tak, aby nehrozilo nebezpečí zakopnutí a nemohlo dojít k poškození kabelů.



POZOR!

- Používejte trubky nebo průchodky kabelů, pokud musíte vést kabely plechovými stěnami nebo jinými stěnami s ostrými hranami.
- **Nepokládejte** síťové rozvody 230 V a rozvody stejnosměrného proudu 12 V společně ve stejné průchodce (trubce).
- **Nepokládejte** kabely volně nebo ostře zalomené.
- Vodiče dobře upevněte.
- Netahejte za rozvody.

2.5 Bezpečnost za provozu přístroje



NEBEZPEČÍ! Ohrožení života elektrickým proudem!

- Nikdy se nedotýkejte odizolovaných vodičů.



VÝSTRAHA!

- Používejte přístroj výhradně v uzavřených dobře větraných prostorech.



UPOZORNĚNÍ!

- **Nepoužívejte** přístroj za těchto podmínek:
 - Vlhké nebo mokré prostředí, prostředí s obsahem soli
 - Blízkost agresivních výparů
 - Blízkost hořlavých materiálů
 - Oblasti ohrožené explozí
- Před uvedením do provozu zkontrolujte, zda jsou přírodní kabel a zástrčka suché.
- Při práci na přístroji vždy přerušte napájení elektrickým proudem.
- Pamatujte, že i po vypnutí ochranného zařízení (pojistky) mohou být součástí přístroje pod napětím.
- Neodpoujte žádné kabely, dokud je přístroj ještě v provozu.



POZOR!

- Dbejte, aby nedošlo k zakrytí vstupů a výstupů vzduchu přístroje.
- Pamatujte na dostatečný přívod vzduchu.

3 Obsah dodávky

Poz. na obr. 1	Název
1	Sinusový měnič
2	Dálkový ovladač
3	Přírodní kabel dálkového ovladače
–	Návod k obsluze

4 Cílová skupina tohoto návodu

Část kap. „Připojení měniče“ na straně 279 je určena výhradně odborníkům, kteří jsou seznámeni s odpovídajícími směrnicemi VDE.

Všechny ostatní kapitoly jsou určeny uživateli přístroje.

5 Použití v souladu se stanoveným účelem



VÝSTRAHA!

Měnič nesmíte používat ve vozidlech, ve kterých je kladný pól baterie spojen se šasi.

Měniče slouží k transformaci stejnosměrného napětí na střídavé napětí 230 V o frekvenci 50 Hz.

- **12 V**: DSP612, DSP1012, DSP1512, DSP2012
- **24 V**: DSP624, DSP1024, DSP1524, DSP2024

6 Technický popis

Měniče můžete používat všude tam, kde je dostupné připojení DC.

- **12 V**: DSP612, DSP1012, DSP1512, DSP2012
- **24 V**: DSP624, DSP1024, DSP1524, DSP2024

Díky nižší hmotnosti a kompaktní konstrukci můžete tento přístroj snadno instalovat v obytných automobilech, užitkových vozidlech nebo motorových lodích a jachtách.

Výstupní napětí odpovídá napětí v domácnosti ze zásuvky (čisté sinusové napětí, činitel harmonického zkreslení <5 %).

Dodržujte hodnoty trvalého výstupního výkonu a špičkového výstupního výkonu tak, jak jsou uvedeny v části kap. „Technické údaje“ na straně 285. Nesmíte připojovat přístroje s vyšším příkonem.



POZNÁMKA

Pamatujte při připojování přístrojů s elektrickým pohonem (např. vrtáčky, chladničky apod.), že tyto přístroje při rozběhu často vyžadují vyšší výkon než je uvedeno na typovém štítku.

Měnič je vybaven různými ochrannými mechanismy:

- **Přepětová ochrana:** Měnič vypne, pokud napětí překročí hodnotu k vypnutí. Aktivuje se opět, jakmile napětí klesne na hodnotu pro spuštění.
- **Podpětová ochrana:** Měnič vypne, pokud napětí poklesne pod hodnotu k vypnutí. Aktivuje se opět, jakmile se napětí zvýší na hodnotu pro spuštění.
- **Ochrana proti přehřívání:** Měnič se vypne, jakmile teplota v přístroji nebo teplota na chladičím tělese překročí hodnotu k vypnutí. Aktivuje se opět, jakmile se napětí zvýší na hodnotu pro spuštění.
- **Ochrana proti přetížení a zkratu:** Kontrolka LED hlásí provozní poruchu, pokud byla připojena příliš velká zátěž nebo došlo ke zkratu.



POZNÁMKA

Jednotlivé spínací hodnoty naleznete v části kap. „Technické údaje“ na straně 285.

Měnič lze provozovat v následujících tvarech sítě:

- **Sít' TN:**
Nulový vodič měniče je spojen s kostrou. Je nutné instalovat navazující proudový chránič.
- **Sít' IT:**
Obě fáze jsou izolované. To je vhodné pro provoz spotřebiče. Je-li připojeno více než jeden spotřebič, musí být navržena koncepce ochrany (např. snímač izolace).

Tvar sítě se konfiguruje pomocí přepínače DIP na měniči.

Měnič lze přepnout dálkovým ovladačem do režimu úspory energie, aby se připojená baterie příliš rychle nevybila.

Dálkovým ovladačem lze zapnout a vypnout měnič a zapnout režim úspory energie.

6.1 Ovládací prvky

Poz. na obr. 2	Název	Popis
1	Hlavní vypínač	Zapnutí nebo vypnutí přístroje
2	Stavová LED	Viz kap. „Provozní kontrolky“ na straně 281
3	Přepínač DIP	Nastavení tvaru sítě

6.2 Přípojky



POZNÁMKA

Vyobrazena je verze pro kontinentální Evropu.

Poz. na obr. 2	Popis
4	Zásuvka na střídavý proud
5	Přípojka dálkového ovladače
6	Přípojka stejnosměrného proudu
7	Ukostřovací svorka (uzemnění na karoserii auta)
8	Ventilátor

6.3 Dálkový ovladač

Poz. na obr. 3	Název
1	Vypínač
2	Stavová LED
3	Přípojka dálkového ovladače

7 Montáž měniče

7.1 Potřebné nářadí

K **elektrickému připojení** budete potřebovat následující pomůcky:

- Lisovací kleště
- 3 různobarevné pružné přívodní kabely. Potřebný průřez najdete v tabulce v kap. „Připojení měniče“ na straně 279.
- Kabelová oka a kabelové koncovky

Pro **upevnění** měniče budete potřebovat následující montážní prostředky:

- Strojní šrouby (M4) s podložkami a samopojistnými maticemi nebo
- Šrouby do plechu nebo vruty

7.2 Montážní pokyny

Při výběru místa instalace dodržujte následující pokyny:

- Měnič můžete namontovat horizontálně i vertikálně.
- Měnič musí být instalován na místě chráněném před vlhkostí.
- Měnič nesmíte instalovat v prostředí s hořlavými materiály.
- Měnič nesmíte instalovat v prašném prostředí.
- Místo instalace musí být dobře odvětrávané. V případě instalace v malých uzavřených prostorech musí být zajištěn přívod a odvod vzduchu. Minimální volný prostor kolem měniče musí činit 5 cm (obr. 4).
- Musí zůstat volný vstup vzduchu na zadní straně, příp. výstup vzduchu na přední straně měniče.
- Při okolní teplotě vyšší než 40 °C (např. v motorovém nebo topném prostoru, přímé sluneční záření) se měnič může vypnout, i když je výkon připojených spotřebičů nižší než jmenovité zatížení (derating).
- Montážní plocha musí být rovná a dostatečně pevná.



POZOR!

Dříve než provedete jakékoliv otvory zkontrolujte, zda nebudou vrtáním, řezáním a pilováním poškozeny elektrické kabely nebo jiné součásti vozidla.

7.3 Montáž měniče

- Měnič namontujte podle vyobrazení (obr. 5).

7.4 Montáž dálkového ovladače

- Dálkový ovladač namontujte podle vyobrazení (obr. 6).
- Odstraňte ochrannou fólii.

8 Připojení měniče

8.1 Všeobecné pokyny



VÝSTRAHA!

- Připojení měniče smí provést výhradně specializovaná firma s potřebnými znalostmi. Následující informace jsou určeny odborníkům, kteří jsou seznámeni s příslušnými platnými směnicemi a bezpečnostními předpisy.
- V případě vozidel, u kterých je kladný pól baterie spojen se šasi, **nesmíte** měnič používat.
- Pokud nepoužijete žádné jištění v **kladném vodiči** baterie, může dojít k přetížení vodičů a ke vzniku požáru.

- Měnič musíte při instalaci do vozidel nebo lodí spojit se šasi nebo s kostrou.
- Při instalaci zásuvkového obvodu (instalaci sítě) dodržujte předpisy VDE 0100.
- Používejte výhradně měděné kabely.
- Volte nejkratší možné délky kabelů stejnosměrného napětí (< 1 m).
- Dodržujte potřebný průřez kabelu a instalujte jištění kabelu (obr. **7** 1) co nejbliže k baterii v kladném vodiči (viz tabulka).

Přístroj	Potřebný průřez kabelu	Jištění kabelu
DSP612	25 mm ²	150 A
DSP624	25 mm ²	150 A
DSP1012	35 mm ²	200 A
DSP1024	25 mm ²	150 A
DSP1512	50 mm ²	250 A
DSP1524	25 mm ²	150 A
DSP2012	70 mm ²	300 A
DSP2024	35 mm ²	200 A

8.2 Připojení měniče



POZOR!

- Dávejte pozor, abyste nezaměnili polaritu. Nesprávná polarita může poškodit měnič.
- Dbejte na to, že měnič se smí provozovat pouze s následujícím napětím:
 - DSP612, DSP1012, DSP1512, DSP2012: 12 V \equiv
 - DSP624, DSP1024, DSP1524, DSP2024: 24 V \equiv



POZNÁMKA

Utáhněte šrouby a matice maximálním utahovacím momentem 15 Nm. Volné spoje mohou způsobovat přehřívání.

- Připojte měnič podle vyobrazení:
 - Připojení baterie: obr. **7**
 - Připojení ukostřovací svorky: obr. **8**
 - Připojení výstupního vodiče 230 V: obr. **9**

8.3 Připojení dálkového ovladače



POZOR!

Zapojte přípojku dálkového ovladače pouze do portu Remote. Nesprávné zapojení může poškodit přístroj.

- Dálkový ovladač připojte podle vyobrazení (obr. **10**).

8.4 Připojení externího spínače (příslušenství)



POZNÁMKA

Při použití externího spínače nelze změnit stav režimu úspory energie.

- Připojte externí spínač podle vyobrazení (obr. **11**).

9 Používání měniče

9.1 Zapnutí měniče

- ▶ Nastavte hlavní vypínač (obr. **2** 1) měniče takto:
 - „0“: Měnič zcela vypnutý
 - „I“: Běžný provoz
 - „II“: Provoz přes dálkový ovladač
- ✓ Měnič provede autodiagnostický test.
- ✓ Po úspěšném samočinném testu ukazuje stavová LED (obr. **2** 2) provozní stav:
 - Svítí trvale: normální režim aktivován
 - Bliká bliknutí: režim úspory energie aktivován

9.2 Provozní kontrolky

Kontrolka LED (obr. **2** 2) informuje o provozním stavu měniče.

Indikace	Vstupní napětí
Svítí	Běžný provoz
Dlouhé blikání, krátké přerušení	Měnič přehřátý/přetížení
Rychlé blikání	Přepětí/podpětí
Vypnuto	Jiná chyba

Měnič se vypíná za těchto podmínek:

- Napětí baterie klesne pod 10 V (přípojka 12 V \Rightarrow) nebo 20 V (přípojka 24 V \Rightarrow).
- Napětí baterie stoupne nad 16 V (přípojka 12 V \Rightarrow) nebo 32 V (přípojka 24 V \Rightarrow).
- Měnič se přetěžuje.
- Měnič se přehřívá.

Při vypnutí v důsledku přepětí nebo podpětí se měnič opět zapne, když je opět dosaženo nastavené hodnoty napětí.

Při vypnutí v důsledku přetížení nebo přehřátí postupujte takto:

- ▶ Měnič vypněte hlavním vypínačem (obr. **2** 1).
- ▶ Zkontrolujte dostatečné větrání měniče a přesvědčte se, že jsou ventilační otvory a větrací drážky volné.

- Vyčkejte cca 5 – 10 minut a zapněte měnič znovu bez spotřebiče.

9.3 Nastavení režimu úspory energie



POZNÁMKA

- Měnič se automaticky přepne do normálního režimu, pokud se připojí zátěž nad 45 W.
- Je-li připojen externí spínač, nelze změnit režim úspory energie.

Aktivace režimu úspory energie

- Příp. vypněte měnič.
- Stiskněte vypínač (obr. 3 1) na dálkovém ovladači tak dlouho, dokud stavová LED (obr. 3 2) dálkového ovladače nebude sedmkrát blikat.
- ✓ Poté bliká stavová LED (obr. 3 2) dálkového ovladače vždy jednou za 5 s.
- ✓ Režim úspory energie je aktivován.

Deaktivace režimu úspory energie

- Vypněte měnič.
- Stiskněte vypínač (obr. 3 1) na dálkovém ovladači tak dlouho, dokud stavová LED (obr. 3 2) dálkového ovladače nebude trvale svítit.
Než bude stavová LED trvale svítit, zobrazí vypnutí režimu úspory energie v intervalu čtyř bliknutí následovaných šesti bliknutími.
- ✓ Normální režim je aktivován.

9.4 Nastavení tvaru sítě



NEBEZPEČÍ!

Změna tvaru sítě vede ke smrtelnému nebezpečí.
Nastavení na přepínači DIP smějí provádět pouze odborníci.
Ochranné víčko přepínače DIP odstraňte pouze pro nastavení.
Ochranné víčko opět nasad'te, aby se přepínač DIP nemohl přestavit.

Přepínačem DIP lze stanovit, v jakém tvaru sítě má být měnič provozován.

Parametry	Přepínač DIP
Síť TN Externí, zařazený proudový chránič je nutností.	Zapnuto
Síť IT Provoz pouze s jedním spotřebičem nebo instalace externího snímače izolace.	Vypnuto

Dodržujte národní normy!

10 Čištění a péče o měnič



POZOR!

Nepoužívejte k čištění žádné tvrdé nebo ostré předměty, může dojít k poškození výrobku.

- Příležitostně vyčistěte výrobek zvlhčenou utěrkou.

11 Odstraňování závad



VÝSTRAHA!

Přístroj neotevírejte. V opačném případě se vystavujete nebezpečí zásahu elektrickým proudem!



POZNÁMKA

Podrobnější informace o **technických údajích měniče** získáte od výrobce (adresy viz zadní strana návodu).

Kontrolka LED (obr. **2** 2) indikuje chybu:

Indikace LED	Příčina	Odstranění
Rychlé blikání	Příliš vysoké vstupní napětí	Zkontrolujte vstupní napětí a snižte jej.
	Příliš nízké vstupní napětí	Musíte dobít baterii. Zkontrolujte vodiče a spoje.
Svítlí 2 s, krátké přerušování	Tepelné přetížení	Vypněte měnič a spotřebič. Vyčkejte cca 5 – 10 minut a zapněte opět měnič bez spotřebiče. Snižte zatížení a zajistěte lepší odvětrávání měniče. Potom opět zapněte spotřebič.
	Příliš vysoké zatížení	Vypněte měnič a odpojte spotřebič. Zapněte měnič bez spotřebiče. Pokud již není indikováno příliš vysoké zatížení, došlo ve spotřebiči ke zkratu nebo bylo celkové zatížení vyšší než výkon specifikovaný v technickém listu. Zkontrolujte vodiče a spoje.
Vypnuto	Jiná chyba	Kontaktujte zákaznický servis.

12 Záruka

Na výrobek je poskytována záruka v souladu s platnými zákony. Zjistíte-li, že je výrobek vadný, zašlete jej do pobočky výrobce ve vaší zemi (adresy viz zadní strana tohoto návodu) nebo do specializovanému prodejci.

K vyřízení opravy nebo záruky nezapomeňte odeslat následující dokumenty:

- Kopii účtenky s datem zakoupení,
- Uvedení důvodu reklamace nebo popisu vady.

13 Likvidace


► Obalový materiál likvidujte v odpadu určeném k recyklaci.



Jakmile výrobek zcela vyřadíte z provozu, informujte se v příslušných recyklačních centrech nebo u specializovaného prodejce o příslušných předpisech o likvidaci odpadu.

14 Technické údaje

Pro všechny měniče platí následující technické údaje:

Výstupní napětí:	230 V \sim \pm 10 %, čistá sinusová vlna (činitel harmonického zkreslení < 5 %)
Výstupní frekvence:	50 Hz \pm 0,5 Hz
Účinnost:	>90 %
Odvod tepla:	ventilátor řízený teplotou a zátěží
Okolní teplota za provozu:	0 °C až +50 °C
Okolní teplota při skladování:	-30 °C až +70 °C
Vzdušná vlhkost:	0 – 95 %, nekondenzující
Zkouška/certifikát:	

	DSP612	DSP1012	DSP624	DSP1024
Výr. č.:	9600002543 9600003597	9600002545 9600003599	9600002544 9600003598	9600002546 9600003600
Jmenovité vstupní napětí:	12 V \equiv		24 V \equiv	
Rozsah vstupního napětí:	10 – 16,5 V \equiv		20 – 33 V \equiv	
Jmenovitý výkon:	600 W	1000 W	600 W	1000 W
Maximální výkon na 1 min:	690 W	1150 W	690 W	1150 W
Nárazový výkon na 1 s:	1200 W	2000 W	1200 W	2000 W
Příkon při chodu naprázdno a jmenovitém napětí:	<0,8 A	<1,0 A	<0,5 A	<0,6 A
Pohotovostní příkon:	<0,3 A	<0,35 A	<0,2 A	<0,2 A
Rozměry Š x D x V:	obr. 15			
Hmotnost:	2,8 kg	3,1 kg	2,8 kg	3,1 kg

	DSP1512	DSP2012	DSP1524	DSP2024
Výr. č.:	9600002547 9600003601	9600002549 9600003603 9600002561	9600002548 9600003602	9600002550 9600003604 9600002562
Jmenovité vstupní napětí:	12 V \equiv		24 V \equiv	
Rozsah vstupního napětí:	10 – 16,5 V \equiv		20 – 33 V \equiv	
Jmenovitý výkon:	1500 W	2000 W	1500 W	2000 W
Maximální výkon na 1 min:	1725 W	2300 W	1725 W	2300 W
Nárazový výkon na 1 s:	3000 W	4000 W	3000 W	4000 W
Příkon při chodu naprázdno a jmenovitém napětí:	<1,2 A	<1,5 A	<0,6 A	<0,8 A
Pohotovostní příkon:	<0,4 A	<0,5 A	<0,25 A	<0,3 A
Rozměry Š x D x V:	obr. 15			
Hmotnost:	4,9 kg	5,2 kg	4,9 kg	5,2 kg

Ochranná zařízení

	12 V	24 V
Vstup:	Podpětí, ochrana proti přepólování (vnitřní pojistka)	
Výstup AC:	Přepětí, zkrat, přetížení	
Teplota:	Vypnutí	
Zkratová ochrana:	Ano, Ipk	

Přepětíová ochrana

Přístroj	Přepětí	
	Vypnutí	Restart
DSP612, DSP1012, DSP1512, DSP2012	16,5 V	15,5 V
DSP624, DSP1024, DSP1524, DSP2024	33 V	31 V

Podpětíová ochrana

Přístroj	Podpětí	
	Vypnutí	Restart
DSP612, DSP1012, DSP1512, DSP2012	10 V	12 V
DSP624, DSP1024, DSP1524, DSP2024	20 V	24 V

Aktuální prohlášení o shodě EU k Vašemu přístroji obdržíte na příslušné stránce výrobku na adrese dometic.com nebo přímo přes výrobce (viz zadní strana).

Beépítés és üzembe vétel előtt gondosan olvassa el és őrizze meg ezt a használati útmutatót. Ha a terméket továbbadja, mellékelje hozzá a használati útmutatót is.

Tartalomjegyzék

1	Szimbólumok magyarázata	289
2	Általános biztonsági információk	289
3	A csomag tartalma	293
4	Az útmutató célcsoportja	293
5	Rendeltetésszerű használat	293
6	Műszaki leírás	293
7	Az inverter felszerelése	296
8	Az inverter csatlakoztatása	297
9	Az inverter használata	299
10	Az inverter karbantartása és tisztítása	302
11	Hibaelhárítás	303
12	Szavatosság	304
13	Leselejtezés	304
14	Műszaki adatok	304

1 Szimbólumok magyarázata

**VESZÉLY!**

Biztonsági tudnivaló: Az utasítás figyelmen kívül hagyása halált vagy súlyos sérülést okoz.

**FIGYELMEZTETÉS!**

Biztonsági tudnivaló: Az utasítás figyelmen kívül hagyása halált vagy súlyos sérülést okozhat.

**FIGYELEM!**

Ha nem veszi figyelembe az információt, az anyagkárosodást eredményezhet, és káros kihatással lehet a termék működésére.

**MEGJEGYZÉS**

Kiegészítő információk a termék kezelésével kapcsolatosan.

2 Általános biztonsági információk

2.1 Általános biztonság

A gyártó a bekövetkező károkért a következő esetekben nem vállal felelősséget:

- szerelési vagy csatlakozási hiba
- a termék mechanikai behatások és helytelen csatlakozási feszültség miatti károsodása
- a termék kifejezett gyártói engedély nélküli módosítása
- az útmutatóban leírt céloktól eltérő felhasználás

Elektromos készülékek használata előtt vegye figyelembe az alábbi alapvető biztonsági intézkedéseket az alábbi veszélyek elleni védelem érdekében:

- áramütés
- tűzveszély
- sérülések

2.2 Alapvető biztonság



VESZÉLY!

- Tűz esetén elektromos készülékek oltására alkalmas tűzoltó készüléket használjon.



FIGYELMEZTETÉS!

- A készüléket csak rendeltetésszerűen használja.
- Ügyeljen arra, hogy a piros és fekete kapocs **soha** ne érintkezzen egymással.
- Az alábbi esetekben mindig húzza ki a készülék csatlakozódugóját a hálózati aljzatból:
 - minden tisztítás és karbantartás előtt
 - biztosítékcseré előtt
- Ha a készüléket szétszereli:
 - Oldja meg az összes csatlakozót.
 - Biztosítsa, hogy az összes be- és kimenet feszültségmentes legyen.
- Ha a készüléken vagy a csatlakozókábelben látható sérülések vannak, akkor a készüléket nem szabad üzembe helyezni.
- Ha a készülék csatlakozókábele megsérül, akkor azt – a veszélyeztetések elkerülése érdekében – a gyártóval, a vevőszolgálattal vagy egy hasonlóan képzett szakemberrel kell kicseréltetni.
- Javításokat csak szakemberek végezhetnek a készüléken. Nem szakemberű javítások jelentős veszélyeket okozhatnak.
- Jelen készüléket 8 év feletti gyermekek, valamint korlátozott fizikai, érzékszervi és szellemi képességű, illetve megfelelő tapasztalattal és/vagy tudással nem rendelkező személyek csak felügyelet mellett, illetve a készülék biztonságos használatát és az abból eredő veszélyeket megértve használhatják.
- **Az elektromos készülék nem gyerekjáték!**
Ügy tartsa távolról és használja a készüléket, hogy gyermekek ne férhessenek hozzá.
- A gyermekekre figyelni kell, hogy a készülékkel ne játszanak.



FIGYELEM!

- Üzembe helyezés előtt hasonlítsa össze a feszültségadatokat a típus-táblán a megjelölt energiaellátással.
- Ügyeljen arra, hogy más tárgyak **ne** okozhassanak rövidzárlatot a készülék érintkezőinél.

- Soha ne húzza ki a csatlakozódugót a csatlakozókábelnél fogva az aljzatból.
- A készüléket száraz és hűvös helyen tárolja.

2.3 Biztonság a készülék felszerelésénél



VESZÉLY!

- Ne szerelje fel a készüléket olyan területeken, ahol gáz- vagy porrobbanás veszélye áll fenn.



VIGYÁZAT!

- Ügyeljen a biztonságos elhelyezésre!
A készüléket úgy kell biztonságosan felállítani, hogy ne borulhasson fel és ne eshessen le.



FIGYELEM!

- Ne helyezze ki a készüléket hőforrás (napsugárzás, fűtés stb.) hatásának. Ezáltal elkerülheti a készülék további felmelegedését.
- A készüléket száraz és fröccsenő víz ellen védett helyen állítsa fel.

2.4 Biztonság a készülék elektromos csatlakoztatása során



VESZÉLY! Áramütés miatti életveszély!

- Ha elektromos berendezéseken dolgozik, biztosítsa, hogy legyen valaki a közelben, aki vész helyzetben segítséget nyújthat.



FIGYELMEZTETÉS!

- Ügyeljen a kielégítő vezeték-keresztmetszetre!
- A vezetékeket úgy vezesse, hogy azokat ajtók vagy motorháztetők ne sérthessék meg.
Becsípődött kábelek életveszélyes sérüléseket okozhatnak.



VIGYÁZAT!

- A vezetékeket úgy helyezze el, hogy ne keletkezzen botlásveszély és a kábel ne sérülhessen meg.



FIGYELEM!

- Ha vezetékeket lemezburkolatokon vagy más éles peremű falakon kell átvezetnie, akkor használjon csöveket vagy átvezetőket.

- **Ne** vezessen 230 V-os hálózati vezetékét és 12 V-os egyenáramú vezetékét azonos kábelcsatornában (csőben).
- **Ne** a vezetékeket lazán vagy élesen megtörve.
- A vezetékeket jól rögzítse.
- A vezetékekre ne fejtessen ki húzóerőt.

2.5 Biztonság a készülék üzemeltetése során



VESZÉLY! Áramütés miatti életveszély!

- Soha ne fogjon meg puszta kézzel csupasz vezetékeket.



FIGYELMEZTETÉS!

- A készüléket kizárólag zárt, jól szellőztetett helyiségekben használja.



VIGYÁZAT!

- **Ne** használja a készüléket
 - sótartalmú, nedves vagy vizes környezetben
 - agresszív gőzök közelében
 - éghető anyagok közelében,
 - robbanásveszélyes területeken
- Üzembe helyezés előtt ügyeljen arra, hogy a vezeték és a dugasz száraz legyen.
- A készüléken végzendő munkák előtt mindig szakítsa meg az áramellátást.
- Vegye figyelembe, hogy a készülék részei egy védőberendezés (biztosíték) kioldása esetén is még feszültség alatt állhatnak.
- Ne oldjon meg kábeleket, ha a készülék még üzemben van.



FIGYELEM!

- Ügyeljen arra, hogy a készülék levegőbevezető és -kivezető nyílásai ne legyenek elfedve.
- Gondoskodjon a megfelelő szellőzésről.

3 A csomag tartalma

Tétel / 1. ábra	Megnevezés
1	Színuszos inverter
2	Távírányító
3	A távírányító csatlakozókábele
–	Kezelési útmutató

4 Az útmutató célcsoportja

A következő fejezet kizárólag a megfelelő VDE-irányelveket ismerő szakemberek számára szól: „Az inverter csatlakoztatása” fej., 297. oldal.

Az összes további fejezet a készülék felhasználóinak is szól.

5 Rendeltetésszerű használat



FIGYELMEZTETÉS!

Az invertert nem szabad olyan járműben használni, amelynél az akkumulátor pluszpólusa a karosszériával össze van kötve.

Az inverterek egyenáram 230 V, 50 Hz váltóárammá történő átalakítására használhatók:

- **12 V $\overline{=}$** : DSP612, DSP1012, DSP1512, DSP2012
- **24 V $\overline{=}$** : DSP624, DSP1024, DSP1524, DSP2024

6 Műszaki leírás

Az inverterek bárhol üzemeltethetők, ahol rendelkezésre áll egyenáramú csatlakozó.

- **12 V $\overline{=}$** : DSP612, DSP1012, DSP1512, DSP2012
- **24 V $\overline{=}$** : DSP624, DSP1024, DSP1524, DSP2024

Az alacsony tömegű és kis méretű készülék könnyen beépíthető lakóautókba, haszonjárművekbe vagy motoros és vitorlášhajókba.

A kimeneti feszültség megfelel a háztartások dugaszolóaljzataiból nyerhető értékek (tiszta szinuszfeszültség, torzítási tényező <5 %).

Vegye figyelembe a tartós kimeneti teljesítményre és a kimeneti csúcsteljesítményre vonatkozó értékeket, lásd: „Műszaki adatok” fejr., 304. oldal. Magasabb teljesítményű készülékeket nem szabad csatlakoztatni.



MEGJEGYZÉS

Elektromos hajtással rendelkező készülékek (például fűrógép, hűtőgép stb.) csatlakoztatásánál vegye figyelembe, hogy ezek az induláshoz az adattáblán megadott értéknél nagyobb teljesítményt igényelnek.

Az inverter különböző védőmechanizmusokkal rendelkezik:

- **Túlfeszültség-védelem:** Az inverter kikapcsol, ha a feszültségérték a kikapcsolásérték fölé emelkedik. Csak a feszültség újraindítási érték alá csökkenése esetén indul újra.
- **Alacsony feszültség védelem:** Az inverter kikapcsol, ha a feszültségérték a kikapcsolásérték alá süllyed. Csak a feszültség újraindítási érték fölé növekedése esetén indul újra.
- **Túlmelegedés-védelem:** Az inverter kikapcsol, ha a készülékben uralkodó vagy a hűtőtesteken fennálló hőmérséklet túllép egy kikapcsolási értéket. Csak a feszültség újraindítási érték fölé növekedése esetén indul újra.
- **Túlterhelés-védelem és rövidzárlat-védelem:** Az inverteren lévő LED üzemmódot jelez, ha túl nagy terhelés van rácsatlakoztatva vagy rövidzárlat jött létre.



MEGJEGYZÉS

Az egyes kapcsolási értékeket lásd: „Műszaki adatok” fejr., 304. oldal.

Az inverter a következő hálózati formákban üzemeltethető:

- **TN-hálózat:**
Az inverter nullvezetéke rá van kapcsolva a földelésre. Telepíteni kell egy utánkapcsolt hibaáram védőkapcsolót.
- **IT-hálózat:**
Mindkét fázis le van szigetelve. Ez egyetlen fogyasztó üzemeltetésére alkalmas. Ha egynél több fogyasztót csatlakoztat, akkor védelmi koncepciót kell kidolgozni (pl. szigetelésfelügyelet).

A hálózati formát az inverteren lévő DIP-kapcsolóval lehet konfigurálni.

Az inverter a távirányítóval energiatakarékos üzemmódba is kapcsolható; ezáltal a csatlakoztatott akkumulátor nem merül le túl hamar.

Távírányítóval be-, és ki, valamint energiatakarékos üzemmódba is átkapcsolható az inverter.

6.1 Kezelőelemek

Tétel / 2. ábra	Megnevezés	Leírás
1	Főkapcsoló	Be- vagy kikapcsolja a készüléket
2	Állapotjelző LED	Lásd: „Üzemi jelzések” fej., 300. oldal
3	DIP-kapcsoló	Beállítja a hálózati formát

6.2 Csatlakozók



MEGJEGYZÉS

Az ábrán a kontinentális európai piacokra készült változat látható.

Tétel / 2. ábra	Leírás
4	Váltakozó áramú aljzat
5	Csatlakozás a távirányító számára
6	Egyenáramú csatlakozó
7	Földelőkapocs (Földelés a járműkarosszérián)
8	Ventilátor

6.3 Távírányító

Tétel / 3. ábra	Megnevezés
1	Be-/kikapcsoló
2	Állapotjelző LED
3	Csatlakozás a távirányító számára

7 Az inverter felszerelése

7.1 Szükséges szerszám

Az **elektromos csatlakoztatás** elkészítéséhez a következő segédeszközök szükségesek:

- Krimpelőfogó
- 3 különböző színű rugalmas csatlakozókábel. A szükséges keresztmetszetet a „Az inverter csatlakoztatása” fej., 297. oldal fejezetben lévő táblázat tartalmazza.
- Kábelsaruk és érvéghüvelyek

Az inverter **rögzítéséhez** a következő szerelőeszközök szükségesek:

- Gépcsavarok (M4) alátétekkel és önzáró anyákkal vagy
- Lemez-, illetve facsavarok

7.2 Szerelési útmutatások

A felszerelési hely kiválasztásánál vegye figyelembe a következő megjegyzéseket:

- Az inverter vízszintesen és függőlegesen is felszerelhető.
- Az invertert nedvességtől védett helyen kell beépíteni.
- Az invertert nem szabad gyúlékony anyagokat tartalmazó környezetekben beépíteni.
- Az invertert nem szabad poros környezetekben beépíteni.
- A beépítési helynek jól kell szellőznie. Zárt helyiségekben történő telepítés esetén befűvások és elszívások szellőzésről kell gondoskodni. Az inverter körüli szabad távolság legalább 5 cm legyen (4. ábra).
- Az inverter hátoldalán lévő levegőbevezető nyílás és az első oldalán lévő levegőkivezető nyílás szabadon kell hogy maradjon.
- 40 °C-nál magasabb környezeti hőmérséklet esetén (pl. gépészeti-, vagy kazánhelyiségekben, közvetlen napsugárzásnak kitett helyen) az inverter annak ellenére lekapcsolhat, hogy a csatlakoztatott fogyasztók teljesítménye a névleges terhelés alatt van (derating).
- A felszerelési felületnek simának és kellő szilárdságúnak kell lennie.

**FIGYELEM!**

Furatok készítése előtt ellenőrizze, hogy a fúrás, fúrészelés vagy reszelés nem okozta-e a jármű elektromos kábeleinek vagy más alkatrészeinek sérülését.

7.3 Az inverter felszerelése

- ▶ Az invertert az ábrán látható módon szerelje fel (5. ábra).

7.4 A távirányító felszerelése

- ▶ A távirányítót az ábrán látható módon szerelje össze (6. ábra).
- ▶ Távolítsa el a védőfóliát.

8 Az inverter csatlakoztatása

8.1 Általános útmutatások

**FIGYELMEZTETÉS!**

- Az inverter csatlakoztatását kizárólag megfelelően képzett szakcégek végezhetik. A következő információk olyan szakembereknek szólnak, akik az alkalmazandó irányelveket és a biztonsági óvintézkedéseket ismerik.
 - Az inverter **nem** használható olyan járműveknél, ahol az akkumulátor pozitív pólusa össze van kapcsolva a karosszériával.
 - Ha nem helyez biztosítékot az akkumulátor **pozitív vezetékére**, akkor a vezetékek túlterhelődhetnek és tűz keletkezhet.
- Az invertert a járművekbe vagy hajókra történő beszerelés során össze kell kötni a karosszériával, illetve testtel.
 - Dugaszolóaljzat-elosztókör (hálózat) kiépítése esetén tartsa be a VDE 0100 előírásait.
 - Kizárólag rézkábelt használjon.
 - Alkalmazzon minél rövidebb egyenáramú kábelt (< 1 m).

- Tartsa be a szükséges kábelkeresztmetszetet és helyezzen el egy kábelbiztosítékot (7. ábra 1) az akkumulátor közelében a pozitív vezetékbe (lásd a táblázatban).

Készülék	Szükséges kábelkeresztmetszet	Kábelbiztosíték
DSP612	25 mm ²	150 A
DSP624	25 mm ²	150 A
DSP1012	35 mm ²	200 A
DSP1024	25 mm ²	150 A
DSP1512	50 mm ²	250 A
DSP1524	25 mm ²	150 A
DSP2012	70 mm ²	300 A
DSP2024	35 mm ²	200 A

8.2 Az inverter csatlakoztatása



FIGYELEM!

- Ügyeljen arra, hogy a polaritás ne legyen felcserélve. A helytelen polaritás károsíthatja az invertert.
- Vegye figyelembe, hogy az invertert csak a következő feszültséggel szabad üzemeltetni:
 - DSP612, DSP1012, DSP1512, DSP2012: 12 V_{DC}
 - DSP624, DSP1024, DSP1524, DSP2024: 24 V_{DC}



MEGJEGYZÉS

A csavarokat vagy anyákat max. 15 Nm-es nyomatékkal húzza meg. Laza kötések túlmelegedést okozhatnak.

- Az invertert az ábrán látható módon csatlakoztassa:
 - Az akkumulátor csatlakoztatása: 7. ábra
 - Földelőkapocs csatlakoztatása: 8. ábra
 - A 230 V-os kimenő vezeték csatlakoztatása: 9. ábra

8.3 A távirányító csatlakoztatása



FIGYELEM!

A távirányító csatlakozását kizárólag a Remote portba illesse be. Hibás csatlakozás esetén a készülék megsérülhet.

- A távirányítót az ábrán látható módon csatlakoztassa (10. ábra).

8.4 Külső kapcsoló csatlakoztatása (tartozék)



MEGJEGYZÉS

Külső kapcsoló használata esetén nem módosíthatja az energiatakarékos üzemmód állapotát.

- Csatlakoztasson egy külső kapcsolót az ábrán látható módon (11. ábra).

9 Az inverter használata

9.1 Az inverter bekapcsolása

- Állítsa az inverter főkapcsolóját (2. ábra 1) a következő állásba:
 - „0”: Inverter teljesen kikapcsolva
 - „I”: Normál üzem
 - „II”: Üzemeltetés távirányítóval
- ✓ Az inverter öntesztet hajt végre.
- ✓ A sikeres öntesztet követően az állapotjelző LED (2. ábra 2) jelzi az üzemállapotot:
 - Folyamatosan világít: Normál üzemmód aktiválva
 - Négyszer felvillan: Energiatakarékos üzemmód aktiválva

9.2 Üzemi jelzések

A LED (2. ábra 2) az inverter üzemállapotát jelzi.

Jelzés	Bemeneti feszültség
Folyamatosan világít	Normál üzem
Lassan villog, rövid megszakítással	Az inverter túlmelegedett/túlterhelődött
Gyorsan villog	Túlfeszültség/alacsony feszültség
Ki	Egyéb hiba

Az inverter a következő esetekben kikapcsol:

- Az akkumulátorfeszültség 10 V (12 V---csatlakozás) ill. 20 V (24 V---csatlakozás) alá csökken.
- Az akkumulátorfeszültség 16 V (12 V---csatlakozás) ill. 32 V (24 V---csatlakozás) fölé emelkedik.
- Az inverter túlterhelődik.
- Az inverter túlmelegszik.

A túlfeszültség, vagy alacsony feszültség miatti lekapcsolás esetében az inverter akkor kapcsol be ismét, ha elérte a beállított feszültségértéket.

Túlterhelés, vagy túlmelegedés miatti lekapcsolás esetén a következő képpen járjon el:

- A főkapcsolóval (2. ábra 1) kapcsolja ki az invertert.
- Ellenőrizze, hogy az inverter megfelelően szellőzik-e és hogy a szellőzőnyílások és szellőzőrések szabadon vannak-e.
- Várjon kb. 5 – 10 percet és fogyasztó nélkül kapcsolja be újból az invertert.

9.3 Az energiatakarékos üzemmód beállítása



MEGJEGYZÉS

- Ha 45 W-nál nagyobb terhelést csatlakoztat, akkor az inverter automatikusan átkapcsol normál üzemmódba.
- Külső kapcsoló csatlakoztatása esetén nem módosíthatja az energiatakarékos üzemmód állapotát.

Az energiatakarékos üzemmód aktiválása

- Szükség esetén kapcsolja ki az invertert.
- Tartsa nyomva a távirányító Be/Ki gombját (3. ábra 1) addig, míg a távirányítón lévő állapotjelző LED (3. ábra 2) hatszor nem villog.
- ✓ Ezután a távirányító állapotjelző LED-je (3. ábra 2) 5 másodpercenként villog.
- ✓ Az energiatakarékos üzemmód aktív.

Az energiatakarékos üzemmód kikapcsolása

- Kapcsolja ki az invertert.
- Tartsa nyomva a távirányító Be/Ki gombját (3. ábra 1) addig, míg a távirányítón lévő állapotjelző LED (3. ábra 2) folyamatosan nem világít.
Mielőtt az állapotjelző LED folyamatosan világít, azzal jelzi az energiatakarékos üzemmód lekapcsolását, hogy négyszer, majd hatszor villog.
- ✓ A normál üzemmód aktív.

9.4 A hálózati forma beállítása



VESZÉLY!

A hálózati forma módosítása életveszélyt okozhat.

A DIP-kapcsoló beállításait csak szakemberek végezhetik el.

A DIP-kapcsoló védőkupakját csak beállításkor távolítsa el. Annak érdekében, hogy ne lehessen elállítani a DIP-kapcsolót, ismét helyezze fel a védőkupakot.

A DIP-kapcsolóval határozhatja meg, hogy milyen hálózati formában üzemelteti az invertert.

Paraméter	DIP-kapcsoló
TN-hálózat Külső, utánkapcsolt hibaáram védőkupacsolóra van szükség.	Be
IT-hálózat Csak egyetlen fogyasztóval üzemeltethető, vagy külső szigetelésfelügyeletet kell telepíteni. Vegye figyelembe a nemzeti irányelveket!	Ki

10 Az inverter karbantartása és tisztítása



FIGYELEM!

Ne használjon éles vagy kemény eszközöket vagy tisztítószerket a tisztításhoz, mivel azok a termék sérülését okozhatják.

- Alkalmanként tisztítsa meg a terméket nedves ruhával.

11 Hibaelhárítás



FIGYELMEZTETÉS!

Ne nyissa ki a készüléket. Áramütés veszélyének teszi ki magát!



MEGJEGYZÉS

Az **inverter** részletes **adataira** vonatkozó kérdésekkel forduljon a gyártóhoz (a címeteket lásd az útmutató hátoldalán).

A LED (2. ábra 2) jelzi a hibákat:

LED jelzés	Ok	Elhárítás
Gyorsan villog	Túl magas bemeneti feszültség	Ellenőrizze és csökkentse a bemeneti feszültséget.
	Túl alacsony bemeneti feszültség	Az akkumulátor utántöltést igényel. Ellenőrizze a vezetékeket és a csatlakozásokat.
2 másodpercig világít, rövid megszakítással	Túlmelegedés	Kapcsolja ki az invertert és a fogyasztót. Várjon kb. 5 – 10 percet, majd kapcsolja be újból az invertert fogyasztók nélkül. Csökkentse a terhelést és gondoskodjon az inverter jobb szellőzéséről. Ezt követően kapcsolja be újból a fogyasztót.
	Túl magas terhelés	Kapcsolja ki az invertert és távolítsa el a fogyasztót. Kapcsolja be újból az invertert fogyasztó nélkül. Ha ezt követően már nincs túlterheléses kijelzés, akkor a fogyasztónál fellépett rövidzárlat áll fenn vagy a teljes terhelés nagyobb volt az adatlapon megadott teljesítményél. Ellenőrizze a vezetékeket és a csatlakozásokat.
Ki	Egyéb hiba	Forduljon a vevőszolgálathoz.

12 Szavatosság

A termékre a törvény szerinti szavatossági időszak érvényes. A termék meghibásodása esetén forduljon a gyártói lerakathoz (a címeket lásd jelen útmutató hátoldalán), illetve az illetékes szakkereskedőhöz.

A javításhoz, illetve a szavatossági adminisztrációhoz a következő dokumentumokat kell mellékelnie:

- a számla vásárlási dátummal rendelkező másolatát,
- a reklamáció okát vagy a hibát tartalmazó leírást.

13 Leselejtezés


- A csomagolóanyagot lehetőleg a megfelelő újrahasznosítható hulladék közé tegye.



Ha a terméket véglegesen kivonja a forgalomból, kérjük, tájékozódjon a legközelebbi hulladékártalmatlanító központnál vagy a szakkereskedőjénél az idevonatkozó ártalmatlanítási előírásokkal kapcsolatban.

14 Műszaki adatok

A következő műszaki adatok az összes inverterre vonatkoznak:

Kimeneti feszültség:	230 V \sim \pm 10 %, tiszta szinuszhullám (torzítási tényező < 5 %)
Kimeneti frekvencia:	50 Hz \pm 0,5 Hz
Hatásfok:	>90 %
Hőelvezetés:	hőmérséklet-, és terhelésvezérelt ventilátor
Környezeti hőmérséklet, üzem:	0 °C és +50 °C között
Környezeti hőmérséklet, tárolás:	-30 °C és +70 °C között
Légnedvesség:	0 – 95 %, nem kondenzálódó
Vizsgálat / tanúsítvány:	

	DSP612	DSP 1012	DSP624	DSP 1024
Cikkszám:	9600002543 9600003597	9600002545 9600003599	9600002544 9600003598	9600002546 9600003600
Névleges bemeneti feszültség:	12 V \equiv		24 V \equiv	
Bemeneti feszültségtartomány:	10 – 16,5 V \equiv		20 – 33 V \equiv	
Névleges teljesítmény:	600 W	1000 W	600 W	1000 W
Maximális teljesítmény 1 perc időtartamig:	690 W	1150 W	690 W	1150 W
Csúcsteljesítmény 1 másodperc időtartamig:	1200 W	2000 W	1200 W	2000 W
Üresjáratú áramfelvétel névleges feszültség esetén:	<0,8 A	<1,0 A	<0,5 A	<0,6 A
Készenléti áramfelvétel:	<0,3 A	<0,35 A	<0,2 A	<0,2 A
Méret (szélesség x mélység x magasság):	15 . ábra			
Súly:	2,8 kg	3,1 kg	2,8 kg	3,1 kg

	DSP1512	DSP 2012	DSP1524	DSP 2024
Cikkszám:	9600002547 9600003601	9600002549 9600003603 9600002561	9600002548 9600003602	9600002550 9600003604 9600002562
Névleges bemeneti feszültség:	12 V $\overline{=}$		24 V $\overline{=}$	
Bemeneti feszültségtartomány:	10 – 16,5 V $\overline{=}$		20 – 33 V $\overline{=}$	
Névleges teljesítmény:	1500 W	2000 W	1500 W	2000 W
Maximális teljesítmény 1 perc időtartamig:	1725 W	2300 W	1725 W	2300 W
Csúcsteljesítmény 1 másodperc időtartamig:	3000 W	4000 W	3000 W	4000 W
Üresjáratú áramfelvétel névleges feszültség esetén:	<1,2 A	<1,5 A	<0,6 A	<0,8 A
Készenléti áramfelvétel:	<0,4 A	<0,5 A	<0,25 A	<0,3 A
Méreték (szélesség x mélység x magasság):	15. ábra			
Súly:	4,9 kg	5,2 kg	4,9 kg	5,2 kg

Védőberendezések

	12 V	24 V
Bemenet:	Alacsony feszültség, polaritásvédelem (belső biztosíték)	
AC kimenet:	Túlfeszültség, rövidzárlat, túlterhelés	
Hőmérséklet:	Lekapcsolás	
Rövidzárlat védelem:	Igen, Ipk	

Túlfeszültség-védelem

Készülék	Túlfeszültség	
	Lekapcsolás	Újrarendítés
DSP612, DSP1012, DSP1512, DSP2012	16,5 V	15,5 V
DSP624, DSP1024, DSP1524, DSP2024	33 V	31 V

Alacsony feszültség védelem

Készülék	Alacsony feszültség	
	Lekapcsolás	Újrarendítés
DSP612, DSP1012, DSP1512, DSP2012	10 V	12 V
DSP624, DSP1024, DSP1524, DSP2024	20 V	24 V

Készüléke aktuális EU megfelelőségi nyilatkozatát a dometic.com honlap vonatkozó termékoldalán találhatja meg, vagy közvetlenül a gyártótól szerezheti be (lásd a hátoldalon).

GERMANY**Dometic WAECO International GmbH**

Hollefeldstraße 63 · D-48282 Emsdetten
 ☎ +49 (0) 2572 879-0 · 📠 +49 (0) 2572 879-300
 Mail: info@dometic-waeco.de

dometic.com**AUSTRALIA****Dometic Australia Pty. Ltd.**

1 John Duncan Court
 Varsity Lakes QLD 4227
 ☎ 1800 212121
 ☎ +61 7 55076001
 Mail: sales@dometic.com.au

AUSTRIA**Dometic Austria GmbH**

Neudorferstraße 108
 A-2353 Guntramsdorf
 ☎ +43 2236 908070
 📠 +43 2236 90807060
 Mail: info@dometic.at

BENELUX**Dometic Branch Office Belgium**

Lourdesstraat 84
 B-8940 Geluwe
 ☎ +32 2 3598040
 📠 +32 2 3598050
 Mail: info@dometic.be

BRAZIL**Dometic DO Brasil LTDA**

Avenida Paulista 1754, conj. 111
 SP 01310-920 Sao Paulo
 ☎ +55 11 3251 3352
 📠 +55 11 3251 3362
 Mail: info@dometic.com.br

DENMARK**Dometic Denmark A/S**

Nordensvej 15, Taulov
 DK-7000 Fredericia
 ☎ +45 75585966
 📠 +45 75586307
 Mail: info@dometic.dk

FINLAND**Dometic Finland OY**

Mestariitie 4
 FIN-01730 Vantaa
 ☎ +358 20 7413220
 📠 +358 9 7593700
 Mail: info@dometic.fi

FRANCE**Dometic SAS**

ZA du Pré de la Dame Jeanne
 B.P. 5
 F-60128 Pleilly
 ☎ +33 3 44633525
 📠 +33 3 44633518
 Mail: vehiculesdeloisirs@dometic.fr

HONG KONG**Dometic Group Asia Pacific**

Suites 2207-11 / 22/F - Tower 1
 The Gateway - 25 Canton Road,
 Tsim Sha Tsui - Kowloon
 ☎ +852 2 4611386
 📠 +852 2 4665553
 Mail: info@waeco.com.hk

HUNGARY**Dometic Zrt. Sales Office**

Kerekgyártó u. 5.
 H-1147 Budapest
 ☎ +36 1 468 4400
 📠 +36 1 468 4401
 Mail: budapest@dometic.hu

ITALY**Dometic Italy S.r.l.**

Via Virgilio, 3
 I-47122 Forlì (FC)
 ☎ +39 0543 754901
 📠 +39 0543 754983
 Mail: vendite@dometic.it

JAPAN**Dometic KK**

Maekawa-Shibaura, Bldg. 2
 2-13-9 Shibaura Minato-ku
 Tokyo 108-0023
 ☎ +81 3 5445 3333
 📠 +81 3 5445 3339
 Mail: info@dometic.jp

MEXICO**Dometic Mx, S. de R. L. de C. V.**

Circuito Médicos No. 6 Local 1
 Colonia Ciudad Satélite
 CP 53100 Naucalpan de Juárez
 Estado de México
 ☎ +52 55 5374 4108
 📠 +52 55 5393 4683
 Mail: info@dometic.com.mx

NETHERLANDS**Dometic Benelux B.V.**

Ecustraat 3
 NL-4879 NP Etten-Leur
 ☎ +31 76 5029000
 📠 +31 76 5029019
 Mail: info@dometic.nl

NEW ZEALAND**Dometic New Zealand Ltd.**

PO Box 12011
 Penrose
 Auckland 1642
 ☎ +64 9 622 1490
 📠 +64 9 622 1573
 Mail: customerservices@dometic.co.nz

NORWAY**Dometic Norway AS**

Østerøyveien 46
 N-3232 Sandefjord
 ☎ +47 33428450
 📠 +47 33428459
 Mail: firmapost@dometic.no

POLAND**Dometic Poland Sp. z o.o.**

Ul. Puławska 435A
 PL-02-801 Warszawa
 ☎ +48 22 414 3200
 📠 +48 22 414 3201
 Mail: info@dometic.pl

PORTUGAL**Dometic Spain, S.L.**

Branch Office em Portugal
 Rot. de São Gonçalo nº 1 – Esc. 12
 2775-399 Carcavelos
 ☎ +351 219 244 173
 📠 +351 219 243 206
 Mail: info@dometic.pt

RUSSIA**Dometic RUS LLC**

Komsomolskaya square 6-1
 RU-107140 Moscow
 ☎ +7 495 780 79 39
 📠 +7 495 916 56 53
 Mail: info@dometic.ru

SINGAPORE**Dometic Pte Ltd**

18 Boon Lay Way
 06-141 Trade Hub 21
 Singapore 609966
 ☎ +65 6795 3177
 📠 +65 6862 6620
 Mail: dometic@dometic.com.sg

SLOVAKIA**Dometic Slovakia s.r.o.**

Sales Office Bratislava
 Nádražná 34/A
 900 28 Ivánka pri Dunaji
 ☎/📠 +421 2 45 529 680
 Mail: bratislava@dometic.com

SOUTH AFRICA**Dometic (Pty) Ltd.**

Regional Office
 South Africa & Sub-Saharan Africa
 2 Avalon Road
 West Lake View Ext 11
 Modderfontein 1645
 Johannesburg
 ☎ +27 87 3530380
 Mail: info@dometic.co.za

SPAIN**Dometic Spain S.L.**

Avda. Sierra del Guadarrama, 16
 E-28691 Villanueva de la Cañada
 Madrid
 ☎ +34 91 833 60 89
 📠 +34 900 100 245
 Mail: info@dometic.es

SWEDEN**Dometic Scandinavia AB**

Gustaf Melins gata 7
 SE-42131 Västra Frölunda
 ☎ +46 31 7341100
 📠 +46 31 7341101
 Mail: info@dometicgroup.se

SWITZERLAND**Dometic Switzerland AG**

Riedackerstrasse 7a
 CH-8153 Rümlang
 ☎ +41 44 8187171
 📠 +41 44 8187191
 Mail: info@dometic.ch

UNITED ARAB EMIRATES**Dometic Middle East FZCO**

P. O. Box 17860
 S-D 6, Jebel Ali Freezone
 Dubai
 ☎ +971 4 883 3858
 📠 +971 4 883 3868
 Mail: info@dometic.ae

UNITED KINGDOM**Dometic UK Ltd.**

Dometic House, The Brewery
 Blandford St. Mary
 Dorset DT11 9LS
 ☎ +44 344 626 0133
 📠 +44 344 626 0143
 Mail: customerservices@dometic.co.uk

USA**Dometic RV Division**

1120 North Main Street
 Elkhart, IN 46515
 ☎ +1 574-264-2131