



REVISION HISTORY				
REV.	DATE	MODIFICATIONS	NAME	ECN NO.
A	23 JUN 2020	NEW - spins-off from 4010060826.	Seka X.	20072432

DO NOT PRINT THIS PAGE

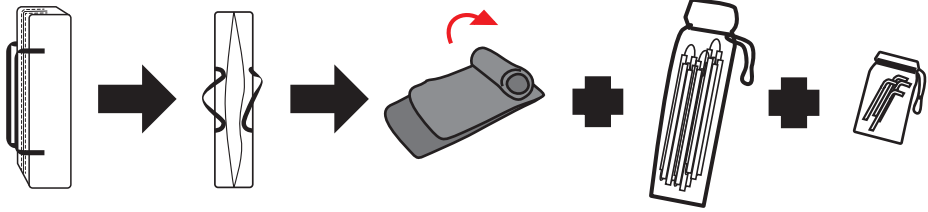
Material: White washable and tear resistant non-woven fabric, such as Tyvek.
Ink: Per Adobe file
Resolution: 150 DPI or above
Printing method: 2-side (front & back), Offset Printing
Size: 8.27 x 11.69 in (W x H) (A4)

Program: InDesign CS6
Black
C:0 M:100 Y:100 K:0
C:100 M:0 Y:100 K:0

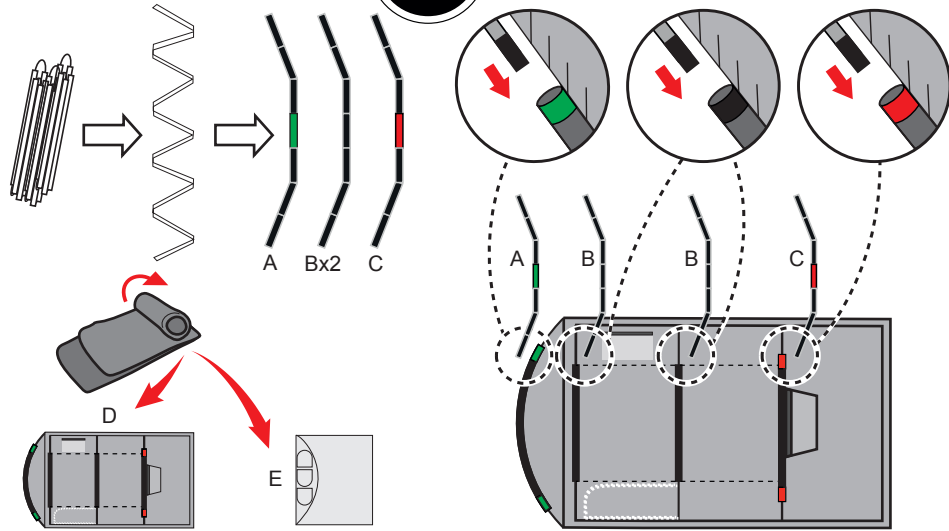
RELEASED FOR PRODUCTION

<p>CONFIDENTIAL THIS DOCUMENT AND ITS CONTENTS ARE CONFIDENTIAL AND CONSTITUTE TRADE SECRETS PROPRIETARY TO NEWELL BRANDS, WHO RESERVE ALL RIGHTS THEREIN. BY ACCEPTING THIS DOCUMENT, THE RECIPIENT AGREES NOT TO COPY, USE, MANUFACTURE, OR COMMUNICATE TO OTHERS, WHOLLY OR IN PART, THE CONTENTS OF THIS DOCUMENT EXCEPT AS EXPRESSLY AUTHORIZED IN WRITING BY NEWELL BRANDS.</p>				3 Glenlake Parkway Atlanta, GA 30328 USA	
		MATERIAL: SEE NOTES			
DRAWING PREPARED IN ACCORDANCE WITH ASME Y14.5		FINISH: SEE NOTES			
TITLE: IFU Tunnel Porch					
1ST ANGLE PROJECTION		DRAWN BY: Seka X.	SCALE: 1 : 1	DRW NO.	REV
		DATE: 23 JUN 2020	SHEET 1 OF 1	4010069001	A

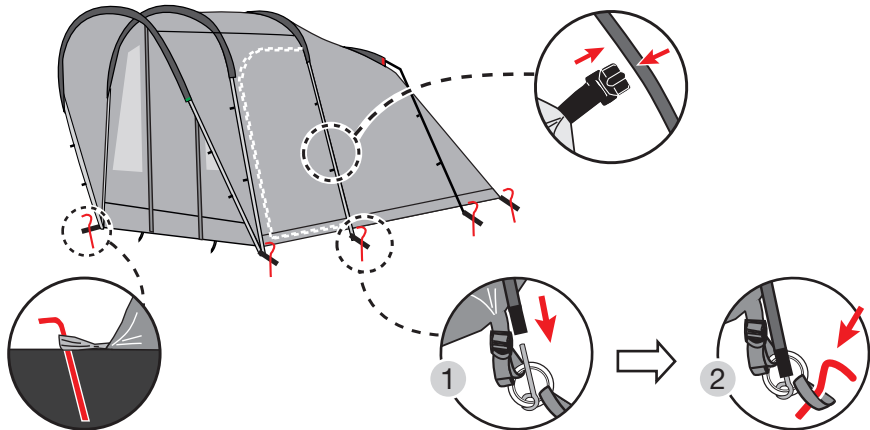
0 - CHECK LIST



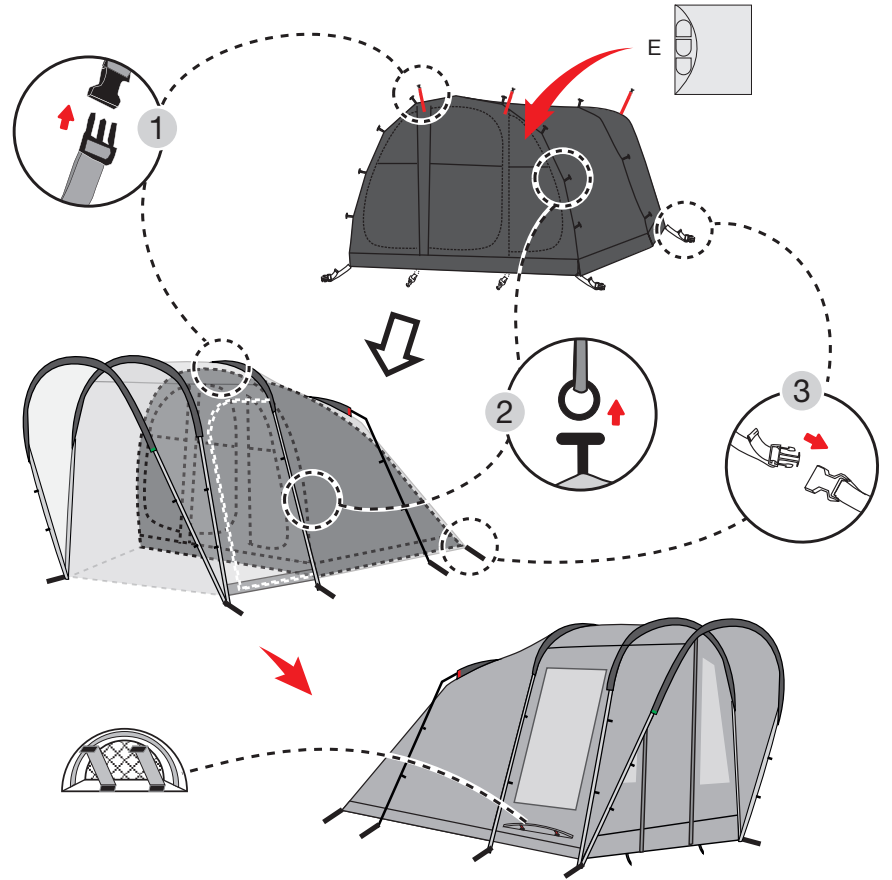
1 - SET UP



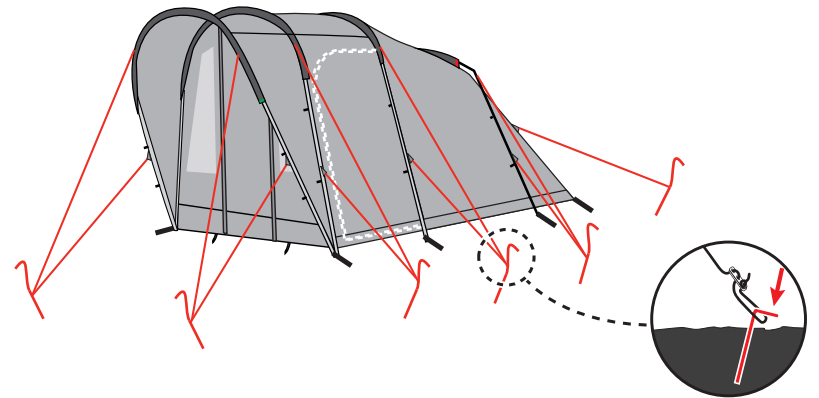
2 - SET UP



3 - SET UP

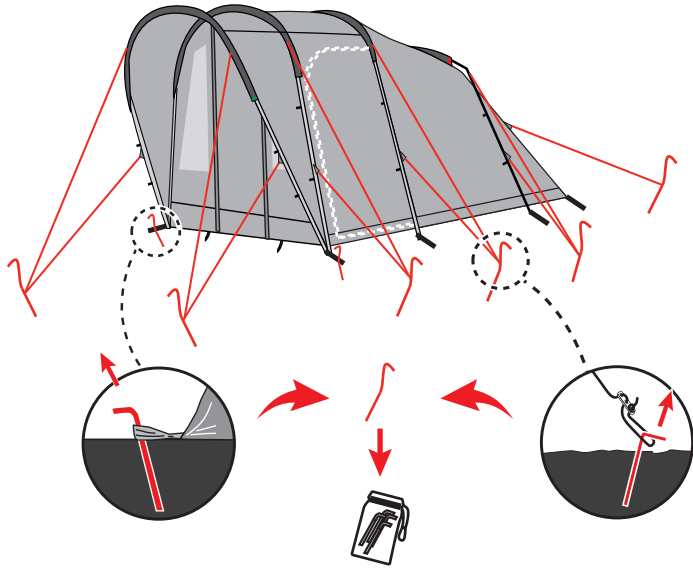


4 - SET UP

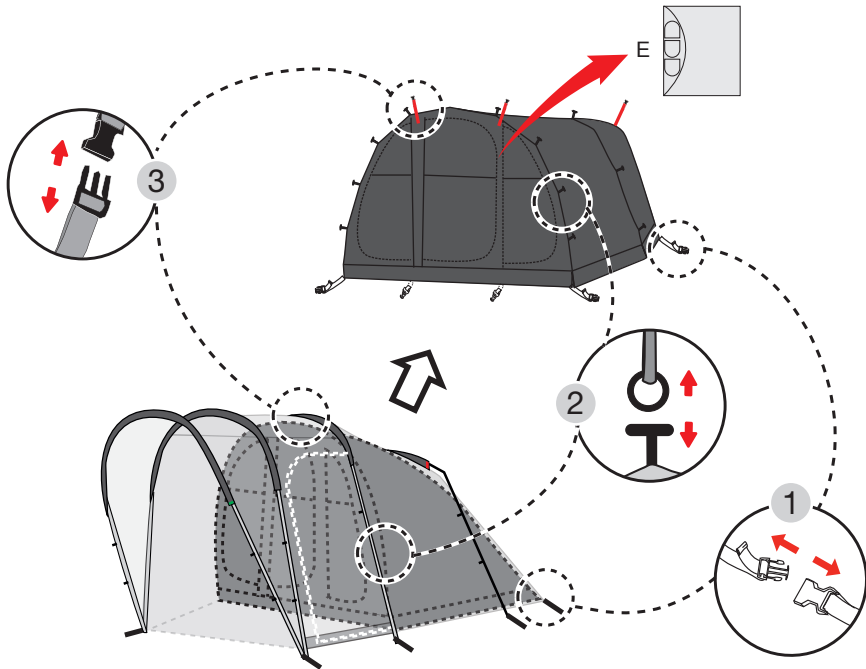


Stitch Line

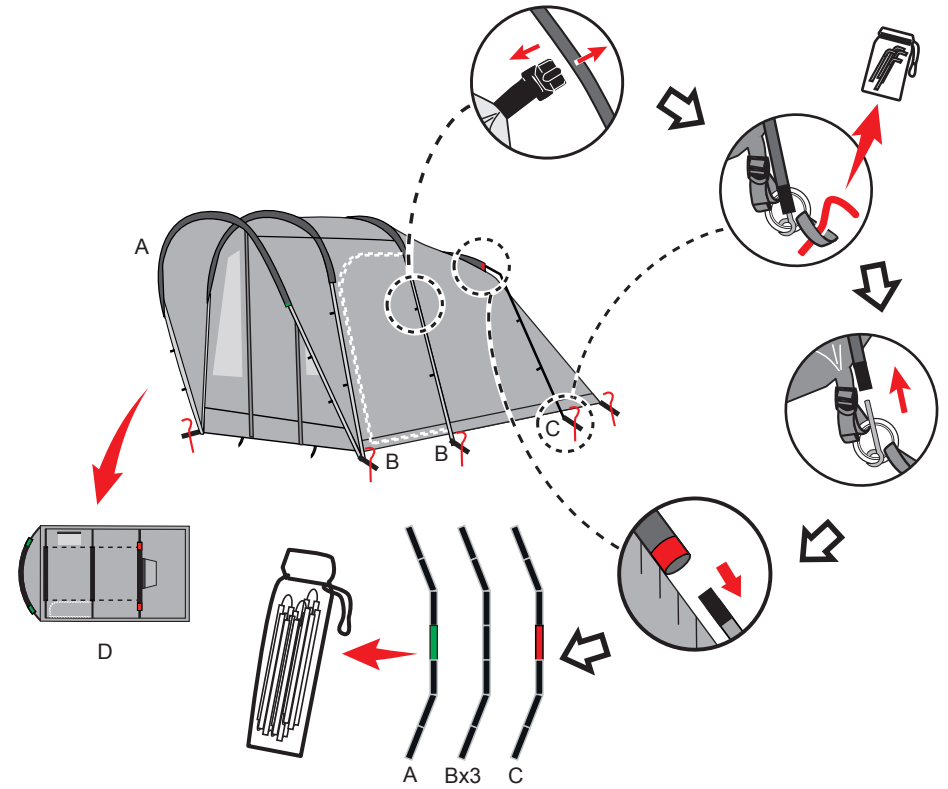
1 - SET DOWN



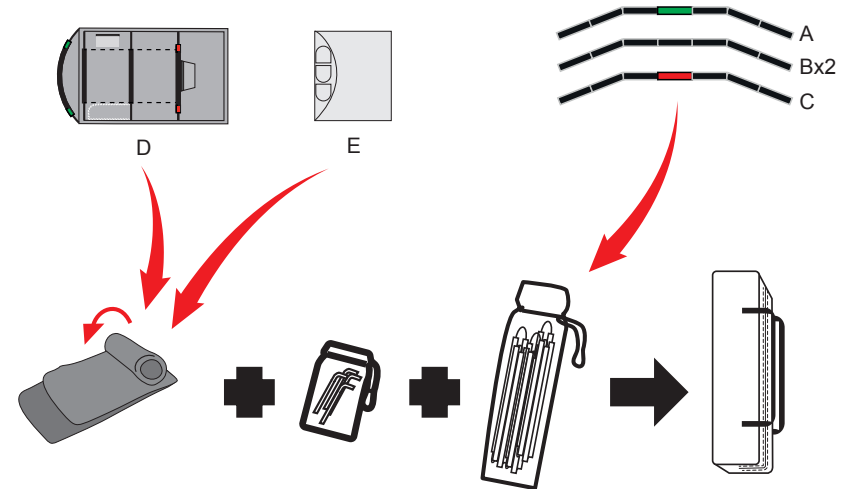
2 - SET DOWN



3 - SET DOWN



4 - SET DOWN



Stitch Line