



| REVISION HISTORY |             |                                  |         |          |
|------------------|-------------|----------------------------------|---------|----------|
| REV.             | DATE        | MODIFICATIONS                    | NAME    | ECN NO.  |
| A                | 23 JUN 2020 | NEW - spins-off from 4010060826. | Seka X. | 20072432 |
| B                | 8 SEP 2020  | Updated ECN number and graphics. | Seka X. | 20073621 |
|                  |             |                                  |         |          |
|                  |             |                                  |         |          |
|                  |             |                                  |         |          |
|                  |             |                                  |         |          |
|                  |             |                                  |         |          |

# DO NOT PRINT THIS PAGE

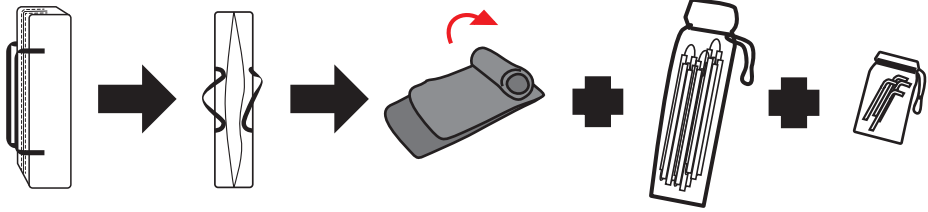
**Material:** White washable and tear resistant non-woven fabric, such as Tyvek.  
**Ink:** Per Adobe file  
**Resolution:** 150 DPI or above  
**Printing method:** 2-side (front & back), Offset Printing  
**Size:** 8.27 x 11.69 in (W x H) (A4)

|                       |
|-----------------------|
| Program: InDesign CS6 |
| Black                 |
| C:0 M:100 Y:100 K:0   |
| C:100 M:0 Y:100 K:0   |

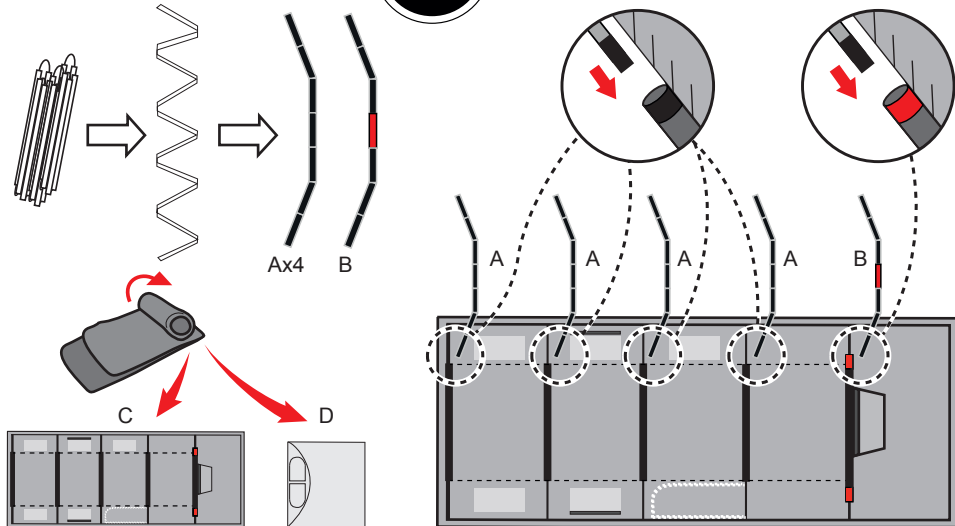
## RELEASED FOR PRODUCTION

|   |   |  |              |   |     |
|---|---|--|--------------|---|-----|
| <p><b>CONFIDENTIAL</b><br/>         THIS DOCUMENT AND ITS CONTENTS ARE CONFIDENTIAL AND CONSTITUTE TRADE SECRETS PROPRIETARY TO NEWELL BRANDS, WHO RESERVE ALL RIGHTS THEREIN. BY ACCEPTING THIS DOCUMENT, THE RECIPIENT AGREES NOT TO COPY, USE, MANUFACTURE, OR COMMUNICATE TO OTHERS, WHOLLY OR IN PART, THE CONTENTS OF THIS DOCUMENT EXCEPT AS EXPRESSLY AUTHORIZED IN WRITING BY NEWELL BRANDS.</p> |   |  |              | 3 Glenlake Parkway<br>Atlanta, GA 30328 USA |     |
|   |   | MATERIAL: SEE NOTES  |              |   |     |
| DRAWING PREPARED IN ACCORDANCE WITH ASME Y14.5  |   | FINISH: SEE NOTES  |              |   |     |
| TITLE:<br>IFU Tunnel Tents  |   |  |              |   |     |
| 1ST ANGLE PROJECTION  |  | DRAWN BY: Seka X.  | SCALE: 1 : 1 | DRW NO.                                     | REV |
|   |   | DATE: 23 JUN 2020  | SHEET 1 OF 1 | 4010069000                                  | B   |

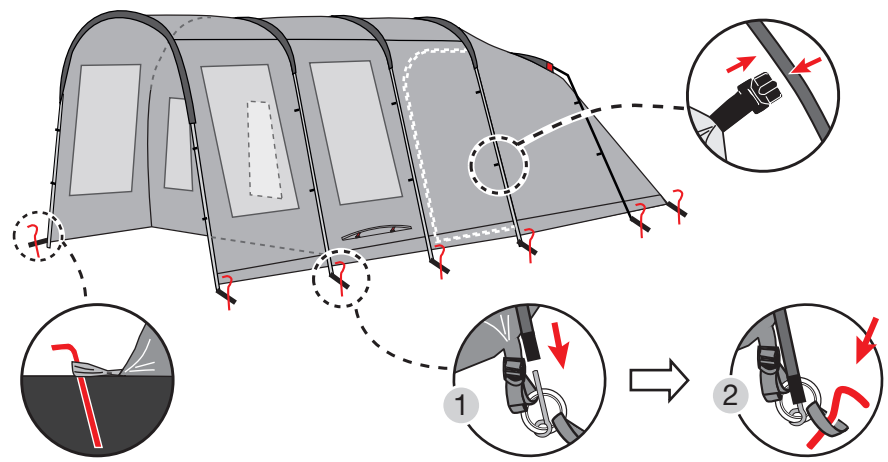
# 0 - CHECK LIST



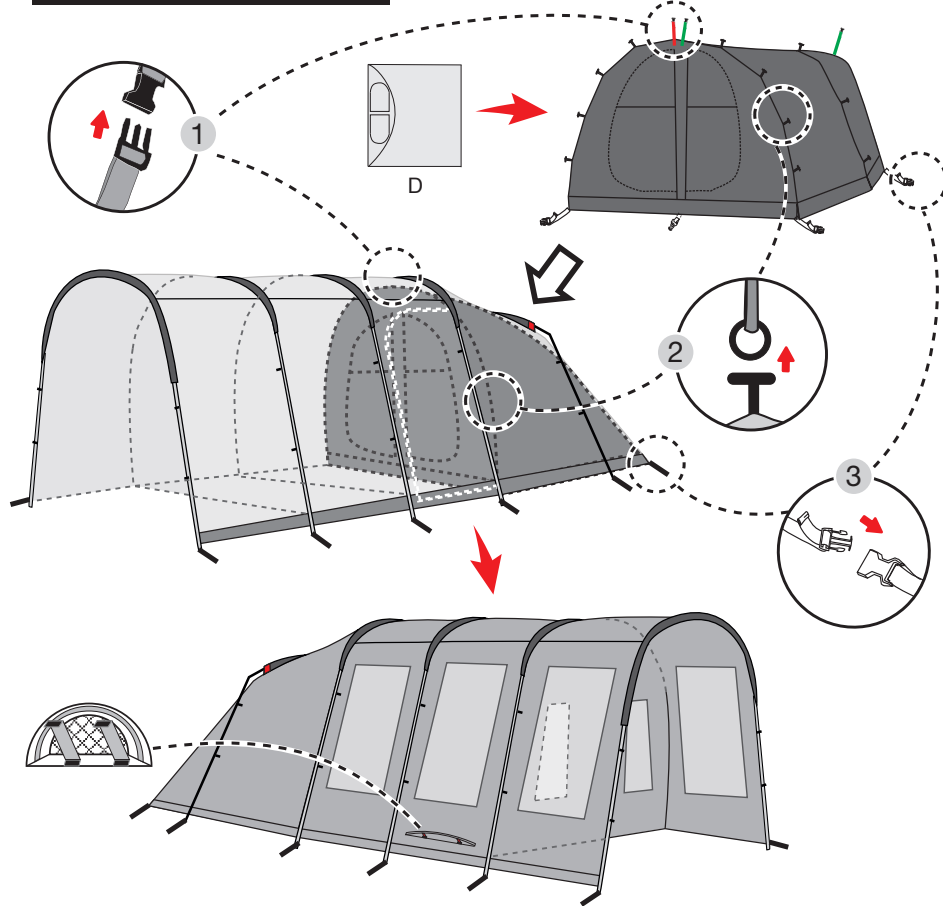
# 1 - SET UP



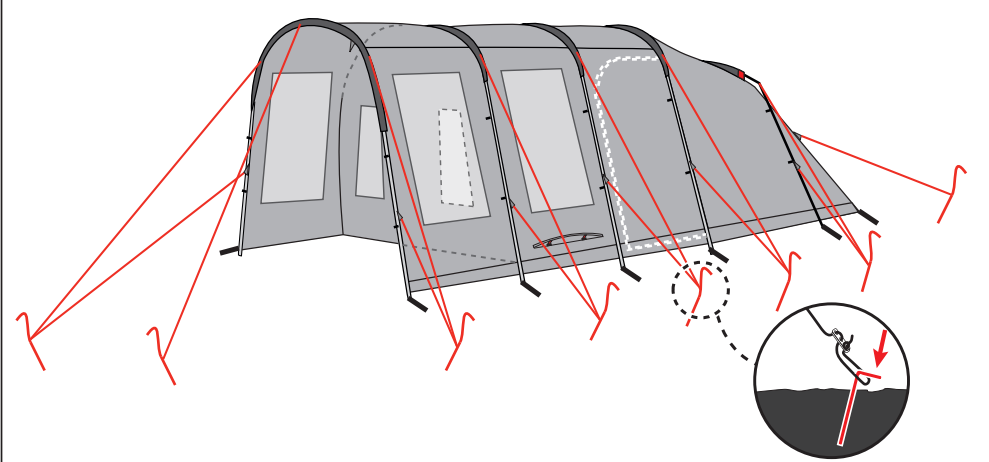
# 2 - SET UP



# 3 - SET UP

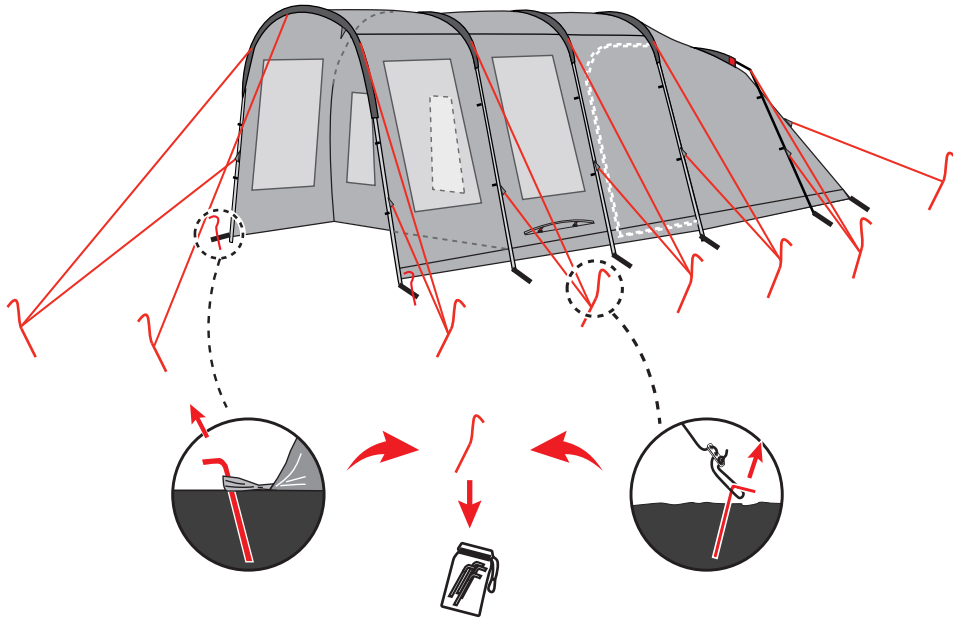


# 4 - SET UP

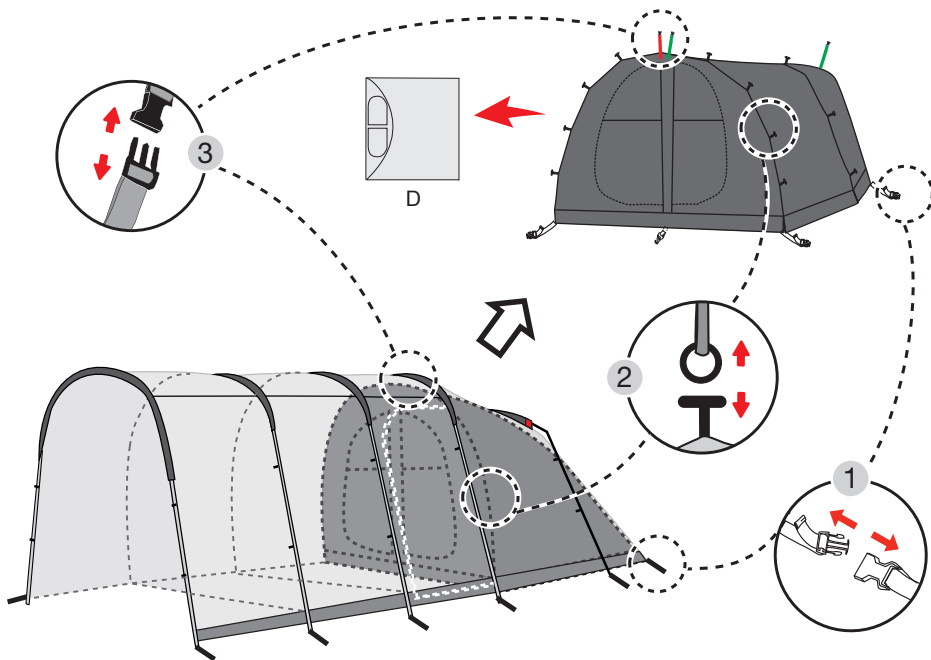


Stitch Line

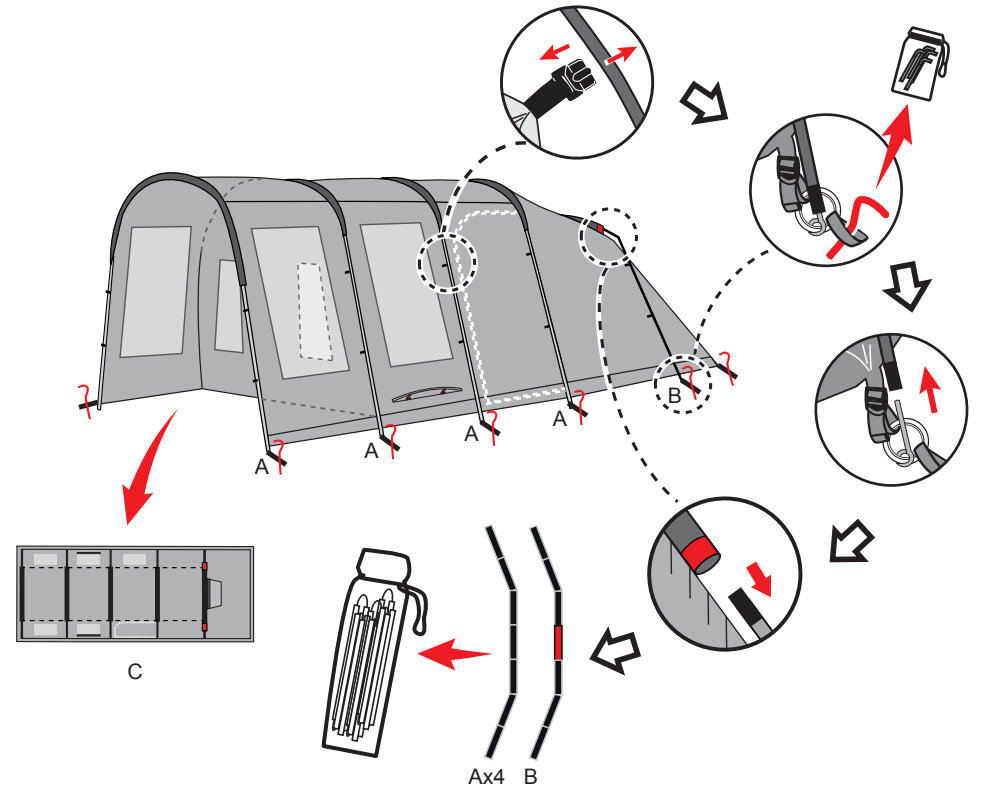
### 1 - SET DOWN



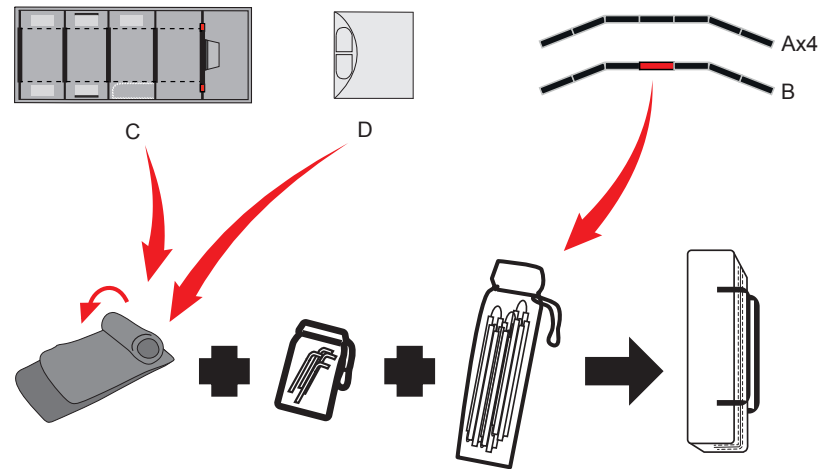
### 2 - SET DOWN



### 3 - SET DOWN



### 4 - SET DOWN



Stitch Line